



Illustrated Parts List

AXIP-0075

May 2013

E-1000I, E-1002I, E-1000W,
E-1200I, E1201W, E-1202I, E1202W, E-1203I
E-1320I, E-1320W, E-1322I, E-1322W
E-1460I, E-1460W, E-1462I, E1462W

Table of Contents

How To Use Illustrated Parts List 2

Model Identification..... 3

 Model Identification Numbering System 3

 Nominal Load Rating..... 3

Steer Axle Components 4

 E-1000I/W, E-1200I/W, E-1201W, E-1320I/W, E-1460I/W Parts Explode..... 4

 E-1002I/W, E-1202I/W, E-1203I, E-1322I/W, E-1462I/W Parts Explode..... 8

Cross Link Assembly / Components 12

Tie Rod Ends 13

Knuckle Types Illustrated 14

Knuckle Conversion Chart 5/8" to 3/4" brake mounting hole 18

Axle Specifications (Reference to Beam,Knuckles,Tie Rod Assy,Turn Angles)

 E1002 - E 1202 Series..... 24

 E1302 - E1322 Series..... 55

 E 1462 Series 72

Axles with Brake Assemblies Specifications 91

Note: If an axle Specification is not listed, please call Technical Services.

Technical Service Assistance: 1-877-777-5360

General Information

How To Use Illustrated Parts List

Ordering Parts

- This parts book is organized in sections according to parts servicing requirements. Use the Contents or page headings and colored tabs to find information.
- Use this book to order parts for your Dana® Spicer® Axle.

Kits and Assemblies

- Kits and Assemblies contain groups of individual or assembled parts developed for optimal replacement or repair of a service problem or maintenance.
- Kits and Assemblies are shown with applicable parts groupings in the parts listing.
- See the Appendix for detailed information concerning kits applicable to this model.

Abbreviations

- AR - As Required - Parts that vary in quantity with each axle. Example: shims
- NSS - Not Serviced Separately - Items which can only be purchased in sets, kit form or service assemblies. Example: brake shoes.
- RH/LH - Right Hand/Left Hand - Determined as viewed from behind the vehicle looking forward.
- ABS - Antilock Brake System
- N/A - Not Applicable
- Str - Straight

Illustrations

- Illustrations show parts in assembly groups.
- Item numbers on illustrations correspond with parts listings on pages that accompany the drawings.
- Notes are included on illustrations where needed.

Parts Listings

- Parts listings are defined by parts groupings and are broken down by service assemblies.
- Parts Listings identify a part for servicing with the following categories:
 - Item - corresponds with numbers on illustrations for part identification
 - Part Name - specifies part name or description
 - Quantity (Qty) - quantity required for assembly
 - Current Part(s) - service part numbers are broken down by model, type or other applicable information
 - Notes - define unique characteristics or replacement notes
 - Kits / Assy's Where Used - indicates Kits or Assemblies that contain a particular part
- **Other pertinent information is listed in tables or parts listings as required.**

Effectively using a Parts Listing - Example

- Follow the example below to locate and order exactly what is required for servicing.

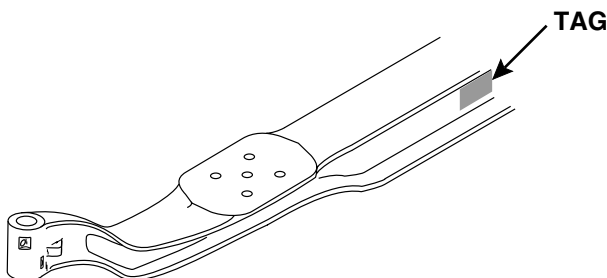
Match to items on illustration	Use to identify Part	Order this quantity for servicing	Order Part Number		Indicated information important to ordering or use
Item	Part Name	Qty	E1000I	E1200I	Notes
1	Locknut - Draw Key	2	67592	67592	See Axle Shaft Chart
2	Knuckle Seal	4	815237	815237	

Kits and Assemblies

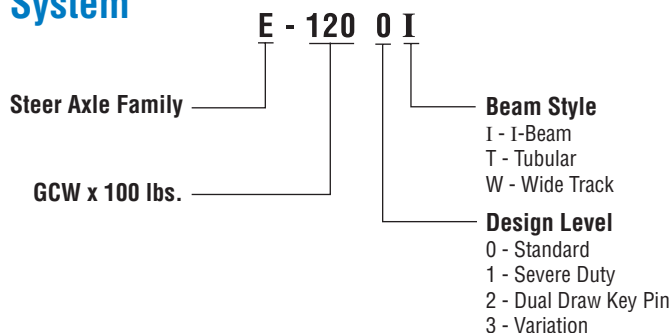
Item	Part Name	Qty	E1000I	E1200I	Notes
Kit w/Steel Backed Acetal Bushing		1	328344	328344	Contents Identified with *

Model Identification

- Spicer Steer Axles are identified with a Spicer name plate. The name plate, located on the front of the steer axle assembly, includes vital information such as; Model, Part No., Serial No., and Customer Part no. on it. When making parts or service enquires about your Spicer Steer Axle, be sure to have this information available.



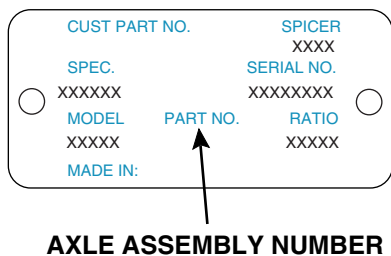
Model Identification Numbering System



Examples

1202BN103-42	1202BN205-69
E1202 Series Spec ID #	E1202 Series Spec ID #
100 Suffix = Axle	200 Suffix = Axle with Brakes

Axle Assembly Tag

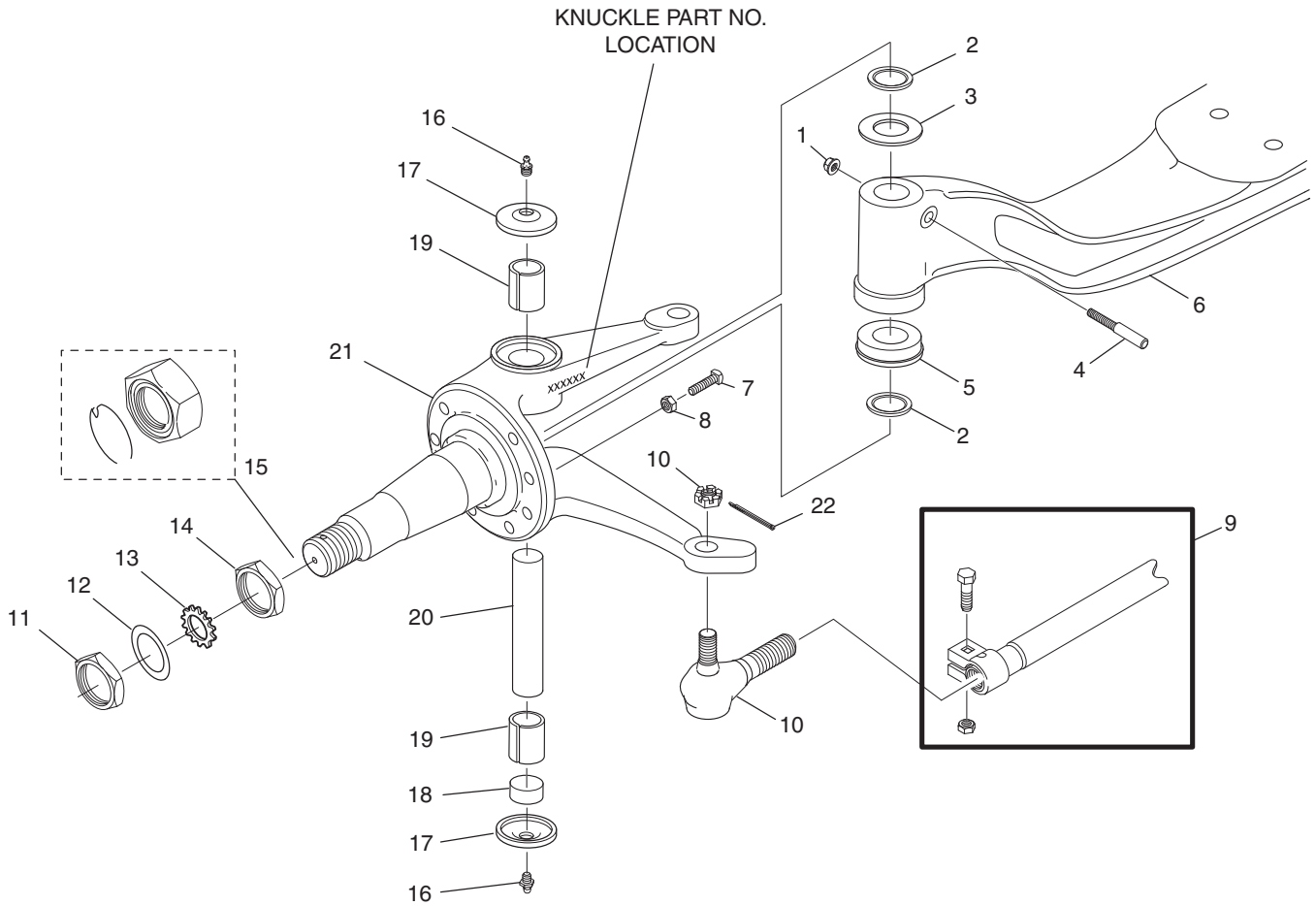


Nominal Load Rating

Model	Nominal Load Rating lbs. [kg]
E-1000I E-1002I	10,000 [4,538]
E-1000W E-1002W	10,000 [4,538]
E-1200I E-1202I	12,000 [5,443]
E-1200W E-1202W	12,000 [5,443]
- E-1203I	12,000 [5,443]
E-1201W	12,000 [5,443]
E-1320I E-1322I	13,200 [5,987]
E-1320W E-1322W	13,200 [5,987]
E-1460I E-1462I	14,600 [6,622]
E-1460W E-1462W	14,600 [6,622]

Steer Axle Components

E-1000I/W, E-1200I/W, E-1201W, E-1320I/W, E-1460I/W Parts Explode



E-1000I,W, E-1200I,W, E-1201W, E-1320I,W, E-1460I,W

SINGLE DRAW KEY DESIGN (Ended Production in 2005)

Item	Description	Qty Per Axle	E1200I,W		E1460I,W		Notes	
			E1000I,W	E1201W	E1320I,W	Pre 1/1/00		After 1/1/00
King Pin Kits								
	Kit w/Steel Backed Acetal Bushing (DX)	1	328344	328344	328344	329404	328345	See Note 1
	Kit w/Bronze Bushing	1	328342	328342	328342	329405	328343	See Note 1
1	Drawkey Locknut	2	067592 or 1004804					All Models,; TCA Hex [1/2] 20 UNF
2	Seal (Knuckle)	4	815237	815237	815237	820518	820518	
3	Shims	.005" A/R .010" A/R .030" A/R			817493 817494 817492			All Models All Models All Models
4	Drawkeys	2			816239			
5	Thrust Bearing	2	815285	815285	815285	811523	220HC104	
6	Beam	1	Refer to ID tag on assembly					
7	Stop Screw	Turn Angle 2 30-35 degree A/R 36-40 degree A/R 41-45 degree A/R 46-50 degree A/R 51-55 degree A/R			816365 816366 816367 816369 816370			All Models All Models All Models All Models All Models
8	Stop Screw Nut	2			090208			All Models
9	Cross Link Assembly	1	See page 12					
10	Tie Rod Ends	2	See pages 12-13					
11	Jam Nut - Outer	2			815638			All Models
12	Retainer Washer	2			817134			All Models
13	Spindle Washer	2			815623			All Models
14	Jam Nut Inner	2			815622			All Models
15	PRO TORQ® Nut Assy	2			128333			All Models; See Note 2
16	Grease Fitting	4			819790			All Models
17	Knuckle Cap	4			971370			All models,; Replaced 816295
18	Foam Insert	4			971010			All Models
19	BushingSteel Backed Acetal (DX)	4	1320HD101	1320HD101	1320HD101	806334	806334	
	Bronze	4	1320HD100	1320HD100	1320HD100	1460HD100	1460HD100	
20	Knuckle Pin	2	815284	815284	815284	817452	817452	See Note 1
21	Knuckle Assy	2	Refer to ID tag on assembly					
22	Cotter Pin (Tie Rod Nut)	2			HP102			All Models; Replaced 1004805

NOTE 1: 1/1/00 Design change to E1460; See Bulletin ABIB-0212

NOTE 2: Pro Torq is a registered trademark of Caromet Inc.

King Pin Kit Contents

328342 - E1000 - E1320 I,W BRONZE

815284	Knuckle Pin	2
1320HD100	Bushings-Bronze	4
815237	Seals	4
816239	Drawkeys	2
971011	Thrust Bearing	2
971370	Knuckle Cap	4
971010	Foam Insert	4
819790	Grease Fitting	4
817493	Shim .005	4
817494	Shim .010	2
817492	Shim .030	2
1004804	Locknut	2



Example of a typical E Series Kit - Single Drawkey

328343 - E1460 I,W BRONZE (After 2000)

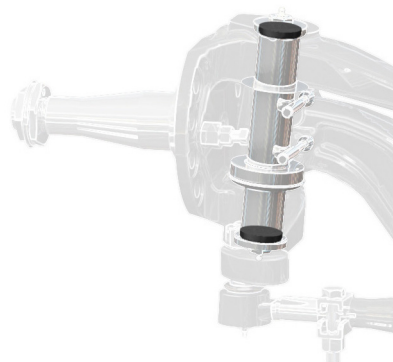
817452	Knuckle Pin	2
1460HD100	Bushings-Bronze	4
820518	Seals	4
816239	Drawkeys	2
220HC104	Thrust Bearing	2
971370	Knuckle Cap	4
971010	Foam Insert	4
819790	Grease Fitting	4
817493	Shim .005	4
817494	Shim .010	2
817492	Shim .030	2
067592	Locknut	2



DX GARLOCK BUSHING EXTENDED LIFE MATERIAL

328344 - E1000 - E1320 I,W DX GARLOCK

815284	Knuckle Pin	2
1329HD101	Bushings-DX	4
815237	Seals	4
816239	Drawkeys	2
971011	Thrust Bearing	2
971370	Knuckle Cap	4
971010	Foam Insert	4
819790	Grease Fitting	4
817493	Shim .005	4
817494	Shim .010	2
817492	Shim .030	2
1004804	Locknut	2



The Spicer® steer axle design excludes contamination and retains grease far better than competitive designs. This is accomplished through a patented, compressible insert that prevents pressure and vacuum typically found in competitive steer axle kingpin joints. The result is better lubrication retention and reduced contamination of the Kingpin joint for longer life and trouble-free performance.

328345 - E1460 I,W - DX GARLOCK (After 2000)

817452	Knuckle Pin	2
806334	Bushings-DX	4
820518	Seals	4
816239	Drawkeys	2
220HC104	Thrust Bearing	2
971370	Knuckle Cap	4
971010	Foam Insert	4
819790	Grease Fitting	4
817493	Shim .005	4
817494	Shim .010	2
817492	Shim .030	2
067592	Locknut	2

328405 - E1460 I,W PRE 2000, BRONZE

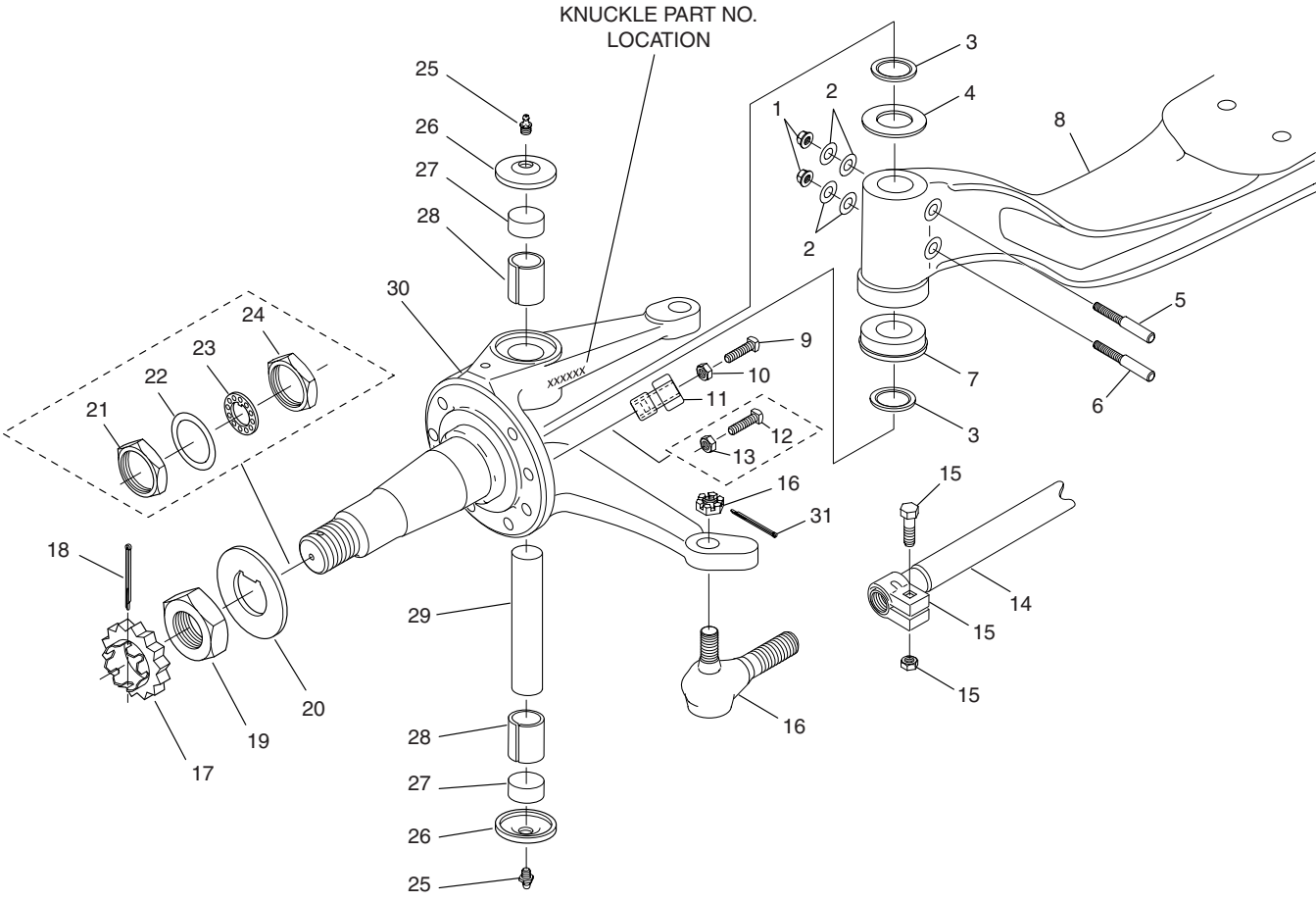
817452	Knuckle Pin	2
806334	Bushings-DX	4
820518	Seals	4
816239	Drawkeys	2
811523	Thrust Bearing	2
971370	Knuckle Cap	4
971010	Foam Insert	4
819790	Grease Fitting	4
817493	Shim .005	4
817494	Shim .010	2
817492	Shim .030	2
067592	Locknut	2

329404 - E1460 I,W PRE 2000, DX GARLOCK

817452	Knuckle Pin	2
806334	Bushings-DX	4
820518	Seals	4
816239	Drawkeys	2
811523	Thrust Bearing	2
971370	Knuckle Cap	4
971010	Foam Insert	4
819790	Grease Fitting	4
817493	Shim .005	4
817494	Shim .010	2
817492	Shim .030	2
067592	Locknut	2

Steer Axle Components

E 1002I,W, E 1202I,W, E1203I, E1322I,W, E 1462I,W Parts Explode



Steer Axle Components

E 1002I,W, E 1202I,W, E1203I, E1322I,W, E 1462I,W - Dual Draw Key Design

Item	Description	Qty Per Axle	E1002I,W	E1202I,W	E1203I	E1322I,W	E1462I,W	Notes	
King Pin Kits									
	Kit w/ Presized Garlock Bushing (DX)	1	328349	328349	328348	328349	328349		
	Kit w/Bronze Bushing	1	328347	328347	328346	328347	328347		
	Kit w/DX10 Bushing Design for Extended Bushing Life	1	503701	503701	-	503701	503701	503700 Top dead ctr	
	Kit w/DX10 Bushing Design for Extended Bushing Life		503700						mounted ADB (Bulletin HAXL PNI 23)
1	Drawkey Hex Locknut	4			220HN103			All Models	
2	Belleville Sprint Washer	8			1460HN100			All Models	
3	Seal (Knuckle)	4			820518			All Models	
4	Shim				817493			All Models	
		.005" A/R			817494			All Models	
		.010" A/R			817492			All Models	
		.030" A/R							
5	Drawkey Upper	2			160HP104-1			All Models	
6	Drawkey Lower	2			160HP104-2			All Models	
7	Thrust Bearing	2	220HC104	220HC104	971011	220HC104	220HC104		
8	Beam	1	Refer to ID tag on assy						
Stop Bolt Adapter Assy		2			120HM101			Incl. 9-11	
9	Stop Bolt (30-50 degree)	2			101HM100-5			All Models	
10	Stop Screw Nut	2			HN148			All Models	
11	Adapter Nut	2			120HN100			All Models	
12	Stop Screw	2			818140			All Models	
		2			816365			All Models	
		2			816366			All Models	
		2			816367			All Models	
		2			816369			All Models	
		2			816370			All Models	
13	Stop Screw Nut	2			90208			All Models	
14	Tie Rod Assy	1			See page 12				
15	Tie Rod Clamp Assy	2			See page 12				
16	Tie Rod Ends	2			See pages 12-13				
17	Stamped Lock Nut	2			140HN105			All Models	
18	Cotter Pin	2			HP115			All Models	
19	Jam Nut	2			140HN104			All Models	
20	D-Flat Washer	2			140HN103			All Models	
21	Jam Nut Outer	2			815638			All Models	
22	Retainer Washer	2			817134			All Models	
23	Spindle Washer	2			815623			All Models	
24	Jam Nut Inner	2			815622			All Models	
25	Grease Fitting	4			819790			All Models	
26	Knuckle Cap	4			971370			All Models	
27	Foam Insert	4			971010			All Models	
28	Bushing	4	806334	806334	1320HD101	806334	806334	Top dead ctr requires two different length bushings	
	Presized Garlock	4	1460HD100	1460HD100	1320HD100	1460HD100	1460HD100		
	Bronze	4	-	1460HD103	-	-	1460HD103		
	DX10	2-4	-	1460HD104	-	-	-		
29	Knuckle Pin	2	1460SC102	1460SC102	1320SC100	1460SC102	1460SC102	1460SC103 (used w/TDC ADB)	
	Pin Sizes:		9.06" x 1.87"	9.06" x 1.87"	9.06" x 1.72"	9.06" x 1.87"	9.06" x 1.87"		
30	Knuckle Assy	1	Refer to assy number on ID tag						
31	Cotter Pin	2			HP102			All Models	

E 1002I,W, E 1202I,W, E1203I, E1322I,W, E 1462I,W King Pin Kit Contents

328349 - E1002 - E1462 I,W DX GARLOCK

1460SC102	Knuckle Pin	2
806334	Bushings-DX	4
820518	Seals	4
160HP104-1	Drawkey Upper	2
160HP104-2	Drawkey Lower	2
220HC104	Thrust Bearing	2
971370	Knuckle Cap	4
971010	Foam Insert	4
819790	Grease Fitting	4
817493	Shim .005	4
817494	Shim .010	2
817492	Shim .030	2
1460HN100	Bellville Washer	8
220HN103	Drawkey Hex Locknut	2



Example of a typical E Series Kit - Dual Drawkey

328347 - E1002 - E1462 I,W BRONZE

1460SC102	Knuckle Pin	2
1460HD100	Bushings-Bronze	4
820518	Seals	4
160HP104-1	Drawkey Upper	2
160HP104-2	Drawkey Lower	2
220HC104	Thrust Bearing	2
971370	Knuckle Cap	4
971010	Foam Insert	4
819790	Grease Fitting	4
817493	Shim .005	4
817494	Shim .010	2
817492	Shim .030	2
1460HN100	Bellville Washer	8
220HN103	Drawkey Hex Locknut	2

DX



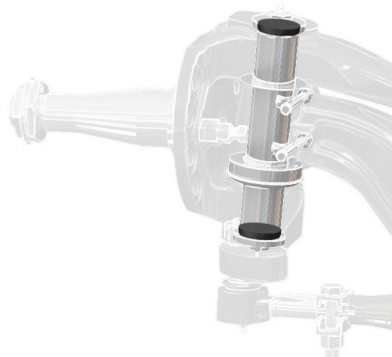
DX10



DX GARLOCK BUSHING EXTENDED LIFE MATERIAL

328348 - E1203 I DX GARLOCK

1320SC100	Knuckle Pin	2
1320HD101	Bushings-Bronze	4
815237	Seals	4
160HP104-1	Drawkey Upper	2
160HP104-2	Drawkey Lower	2
971011	Thrust Bearing	2
971370	Knuckle Cap	4
971010	Foam Insert	4
819790	Grease Fitting	4
817493	Shim .005	4
817494	Shim .010	2
817492	Shim .030	2
1460HN100	Bellville Washer	8
220HN103	Drawkey Hex Locknut	2



The Spicer® steer axle design excludes contamination and retains grease far better than competitive designs. This is accomplished through a patented, compressible insert that prevents pressure and vacuum typically found in competitive steer axle kingpin joints. The result is better lubrication retention and reduced contamination of the Kingpin joint for longer life and trouble-free performance.

328346 - E1203 I - BRONZE

1320SC100	Knuckle Pin	2
1320HD100	Bushings-BRONZE	4
815237	Seals	4
160HP104-1	Drawkey Upper	2
160HP104-2	Drawkey Lower	2
971011	Thrust Bearing	2
971370	Knuckle Cap	4
971010	Foam Insert	4
819790	Grease Fitting	4
817493	Shim .005	4
817494	Shim .010	2
817492	Shim .030	2
1460HN100	Bellville Washer	8
220HN103	Drawkey Hex Locknut	2

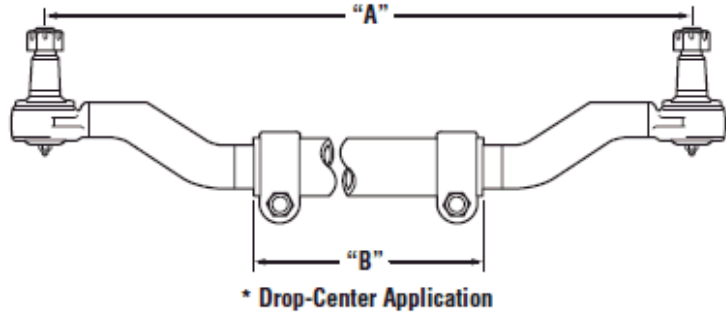
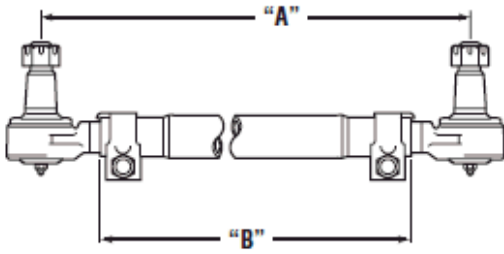
503700 - E1202 TOP DEAD CENTER MOUNT ADB DX10

1460SC103	Knuckle Pin	2
1460HD103	Bushings-DX10 1.8"	2
1460HD104	Bushings-DX10 1.4"	2
820518	Seals	4
160HP104-1	Drawkey Upper	2
160HP104-2	Drawkey Lower	2
220HC104	Thrust Bearing	2
971370	Knuckle Cap	4
971010	Foam Insert	4
819790	Grease Fitting	4
817493	Shim .005	4
817494	Shim .010	2
817492	Shim .030	2
1460HN100	Bellville Washer	8
220HN103	Drawkey Hex Locknut	2

503701 - E 1002- E1462 SERIES W/DX10 BUSHINGS

1460SC102	Knuckle Pin	2
1460HD103	Bushings-DX10 1.8"	4
820518	Seals	4
160HP104-1	Drawkey Upper	2
160HP104-2	Drawkey Lower	2
220HC104	Thrust Bearing	2
971370	Knuckle Cap	4
971010	Foam Insert	4
819790	Grease Fitting	4
817493	Shim .005	4
817494	Shim .010	2
817492	Shim .030	2
1460HN100	Bellville Washer	8
220HN103	Drawkey Hex Locknut	2

CROSS LINK ASSEMBLIES AND TIE ROD ENDS



Model	Cross Tube Length (Inches)	Assembly Length Ball Ctr to Ctr	Cross Tube Diameter (Inches)	Drop (Inches)	Tube Wall Thickness (Inches)	Cross Link Assy (Includes Tie Rod Ends)	Tie Rod Ends		Notes
							LH	RH	
E1000I	60		1.525	3.5	0.2400	NLA	817018	817019	Purge Valve
E1000W	62		1.620	3.5	0.2200	NLA	817018	817019	Purge Valve
E1002I	60	64.2 - 67.8	1.660	STRAIGHT	0.1900	815326	817018	817019	Purge Valve
E1002W	62	66.2 - 69.8	1.620	STRAIGHT	0.2200	NLA	817018	817019	Purge Valve
E1200I	53.6	59.5	1.660	3.5	0.1900	971070	817018	817019	Purge Valve
	60	64.2 - 67.8	1.660	3.5	0.1900	815326	817018	817019	Purge Valve
E1200W	62	66.2 - 69.8	1.660	3.5	0.1900	971443	817018	817019	Purge Valve
E1201W	62	66.7 - 69.8	1.660	3.5	0.1900	971443	817018	817019	Purge Valve
	56	67.6	1.750	5	0.2100	971717	970579	970580	Boot Style
E1202I	60	64.2 - 67.8	1.660	STRAIGHT	0.1900	815326	817018	817019	Purge Valve
E1202W	62	66.2 - 69.8	1.660	STRAIGHT	0.1900	971443	817018	817019	Purge Valve
E1203I	60	64.2 - 67.8	1.660	STRAIGHT	0.1900	815326	817018	817019	Purge Valve
E1302	60	64.2 - 67.8	1.660	3.5	0.1900	815326	817018	817019	Purge Valve
	59	66.5	1.900	3.5	0.2000	817755	818472	818471	Purge Valve
E1320I	60	64.2 - 67.8	1.660	3.5	0.1900	815326	817018	817019	Purge Valve
	60	65.9	1.660	3.5	0.1875	971673	970701	970702	Boot Style
E1320W	53.5	65.9	1.750	5	0.2100	971713	970579	970580	Boot Style
	61	68.5	1.900	3.5	0.2000	971092	818472	818471	Purge Valve
E1322I	60	64.7 - 67.8	1.660	STRAIGHT	0.1900	815326	817018	817019	Purge Valve
	53.5	65.9	1.900	0.88	0.2000	971713	971714	971715	Purge Valve
	56	67.6	1.900	0.88	0.2000	971717	971714	971715	Purge Valve
E1322W	61	68.5	1.900	STRAIGHT	0.2000	971092	818472	818471	Purge Valve
E1460I	59	66.5	1.900	3.5	0.2000	817755	818472	818471	Purge Valve
E1460W	61	68.5	1.900	3.5	0.2000	971092	818472	818471	Purge Valve
E1462I	59	66.5	1.900	STRAIGHT	0.2000	817755	818472	818471	Purge Valve
	44.25	66.5	2.000	1.25	0.2500	971747	971748	971749	Purge Valve
E1462I	46.25-48.25	65.7 - 70.2	2.000	1.25	0.2500	971776	971748	971749	Purge Valve
E1462W	61	68.5	1.900	STRAIGHT	0.2000	971092	818472	818471	Purge Valve

Tie Rod Ends

Left Hand	Right Hand	Tie Rod End Length Ball Ctr to End (in.)	Type	Rod Thread	Length	(A) Stud Length Ctr Socket to Threads	Taper	Dana Design Type	Steer Axle Models
E Series Tie Rod Ends									
817018	817019	6.188	Straight	1 1/8-12 UNF2A	4.088	2.22	1 to 8	Purge Valve (2)	I, D, & E Series
818472	818471	7.500	Straight	1 1/4-12 UNF2A	5.250	2.40	1 to 8	Purge Valve (2)	I & D & E Series
971714	971715	9.260	Dropped	1 1/4-12 UNF2A	4.130	2.47	1 to 8	Purge Valve (2)	E Series
971748	971749	14.280	Dropped	1.625-12UN-2A	4.750	2.42	1.5 to 1 ft	Purge Valve (2)	E Series
970579	970580•	9.260	Dropped	1.25 12 UNF2B	4.250	▲	1 to 8	Non Purge Valve	D & E Series
970701	970702■	6.000	Straight	1.125-12 UNF2B	4.320	-1.000	1 to 8	Non Purge Valve	E Series

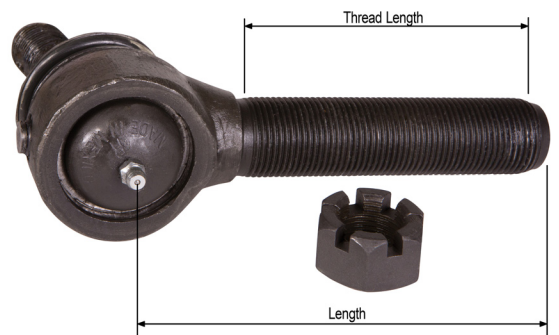
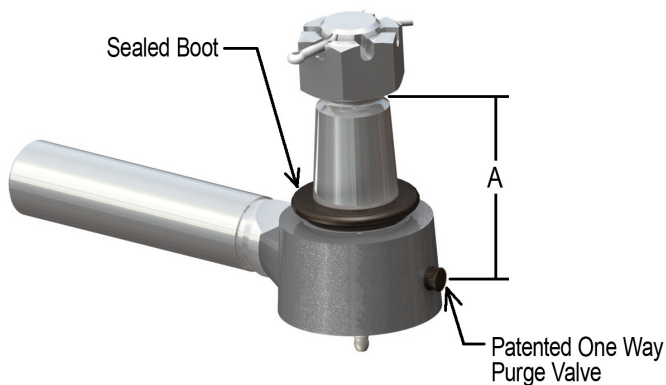
• Part is discontinued

■ Part is available until supply is exhausted

▲ Replaced by 971714 & 715

(1) Crosslink obsolete

(2) Long Life tie rod ends



Type 2

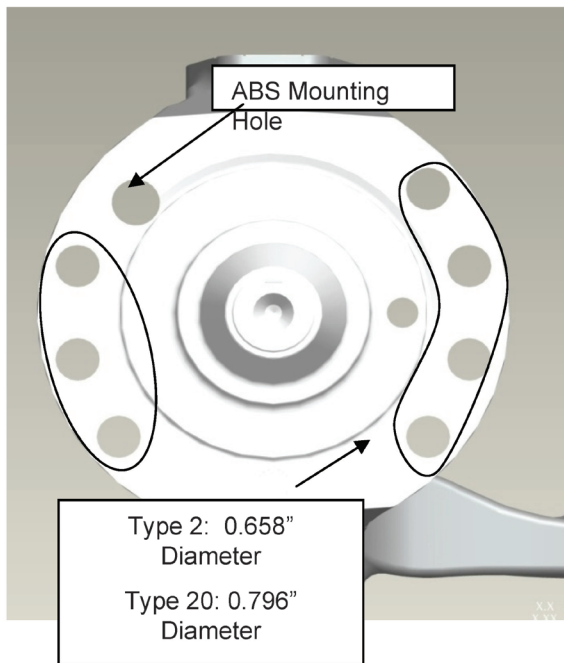
5/8" (.659)

Brake mounting bolt holes

Type 20

3/4" (.796)

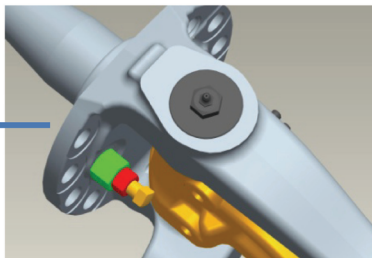
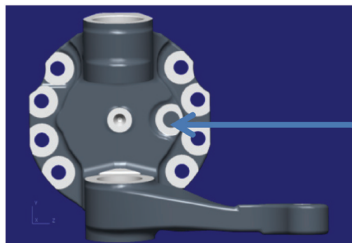
Brake mounting bolt holes



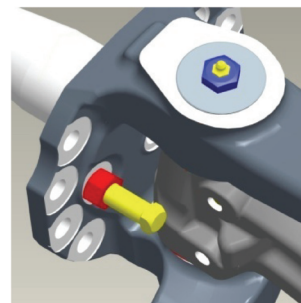
Type 2 / 20 are used to mount air disc or air drum brake assemblies. The flange pattern consists of 7 anchor plate mounting holes & 1 ABS mounting hole. The ABS hole is drilled and broached. Anchor plate mounting holes are drilled only.

Type 3,5

Stop Bolt Screw Adaptor



Stop Bolt + Adaptor



Standard Stop Bolt

For the current E-Series, there are two types of stop bolts used to limit steer travel of the knuckle.

Type 3 – Knuckle uses 3/4" threaded hole to mount stop bolt adaptor.

Stop bolt adaptor has a turning range of 30° - 55°

Type 5 – Knuckle uses 5/8" threaded hole to mount a standard stop bolt.

The Standard stop bolt has a minimum turn angle of 22°

Type 24

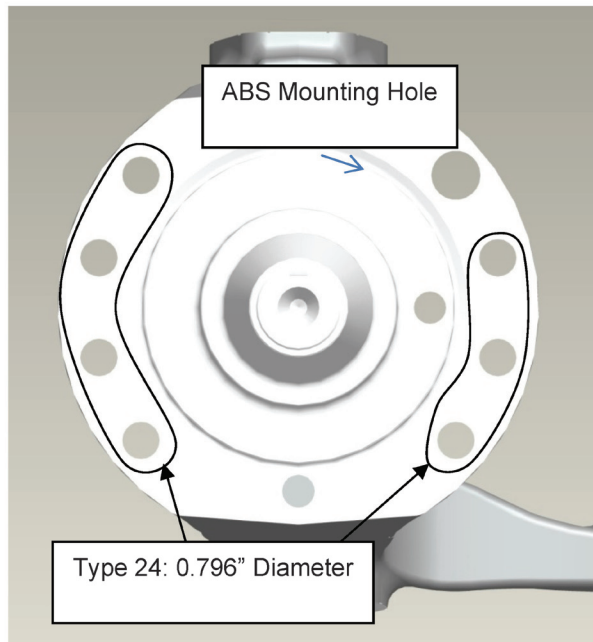
¾" (.796)

Brake mounting bolt holes

Type 24 are used to mount air disc or air drum brake assemblies.

Flange pattern consists of 7 anchor plate mounting holes & 1 ABS mounting hole.

ABS hole is drilled and broached. Anchor plate mounting holes are drilled only.



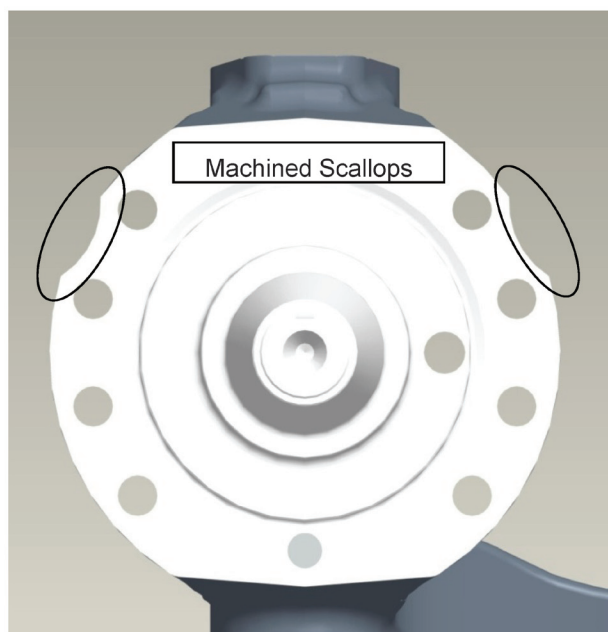
Type 22

Standard brake flange mounting pattern for hydraulic brake packages.

Pattern consists of 8 X 0.658" diameter mounting holes. Scallops are machined in upper flange for necessary clearance for brake components.

Scallops were as-formed on previous generation of forgings.

This was previously a type 1.



Type 12

There are some special machining operations utilized on small volume applications

Type 12 – Flange OD turning used with some air disc brake packages.

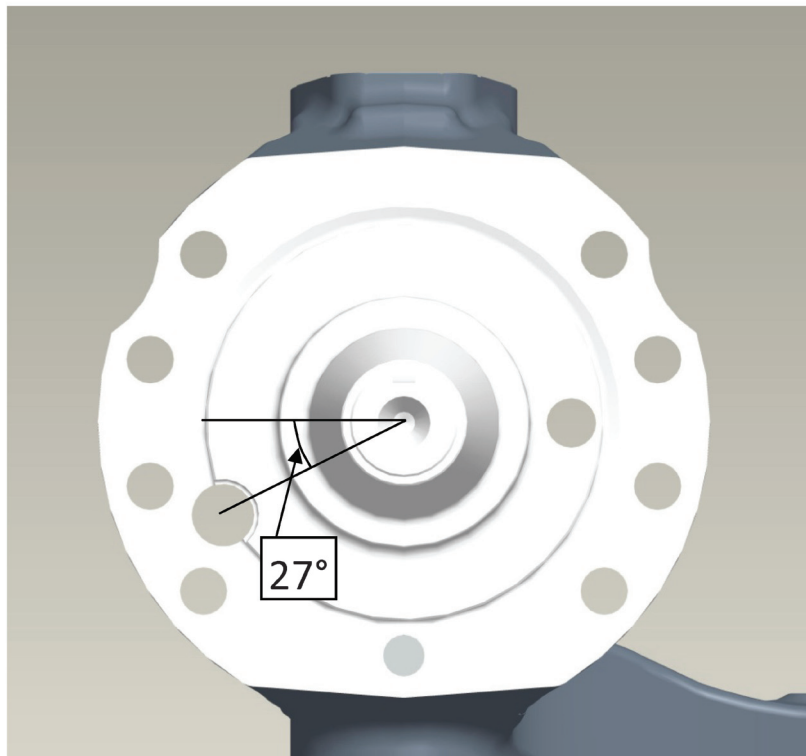
Type 23, 10

Type 23 pattern is used for Reduced Envelope Brake (REB) 15" X 6" drum brake.

Pattern utilizes 8 X 0.658" brake mounting holes and 1 ABS mounting hole @ 27° Forward & Down.

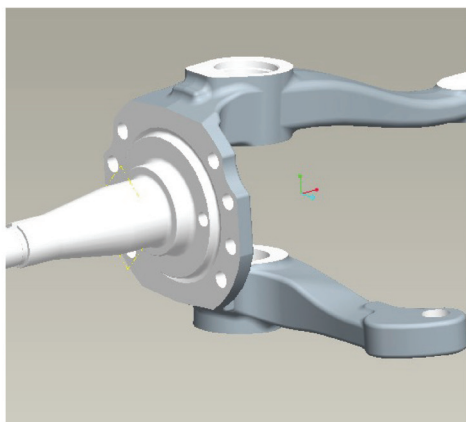
Machined scallop is necessary for clearance to the camshaft housing.

Type 18 pattern is also released with ABS hole @ 27° Rearward & Down.

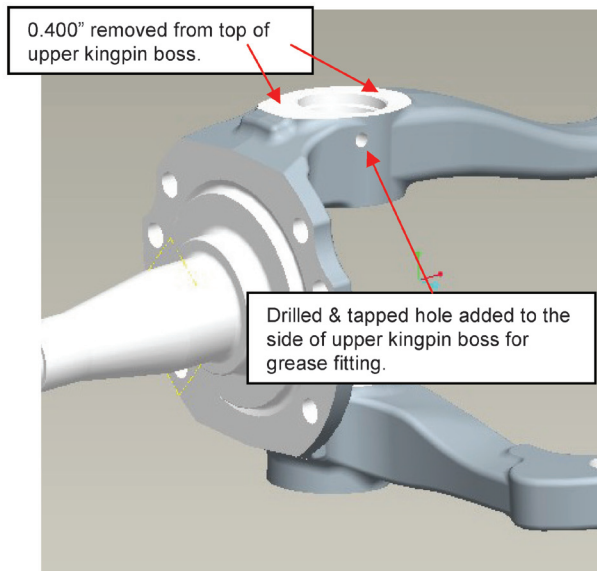


Type 19

The Type 19 option requires a shorter king pin and shorter upper bushing to accommodate the reduced height of the upper king pin boss. The Type 19 option is only used with the Type 2 or Type 20 brake pattern. The upper king pin cap is left un-drilled since no grease fitting will be installed in the cap.



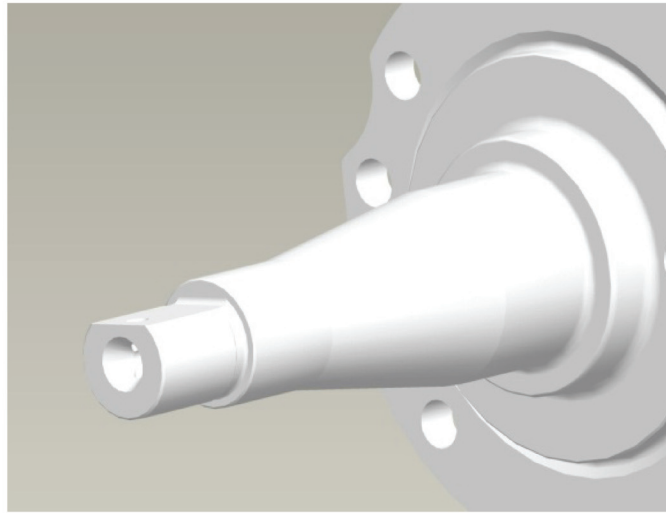
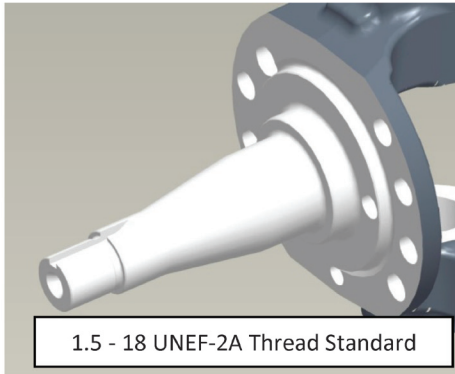
Conventional E-Series Knuckle



TDC ADB Mount E-Series Knuckle

Type 11

Spindle Thread
1.5 – 12 UNF-2A
vs. the Standard
Spindle Thread



Type 11 spindle has a D-shaped spindle end used in conjunction with a D-shaped lock washer. This is primarily used by Navistar.

The Standard spindle (no type) uses a keyway for lock nut / washer retention.

Knuckle Conversion Chart

Conversion Chart from 5/8" Bolt Hole Knuckles to 3/4" Bolt Hole Knuckles - Sorted in 5/8" Knuckle Part Number Sequence

5/8" .659" Brake Bolt Hole Knuckles								3/4" .796" Brake Bolt Hole Knuckles & Top Dead Center Mounted Brake Knuckles											
KNUCKLE ASSY PART NO.	BRAKE HOLE DIA.	Flange Pattern	Stop Screw	Sensor Sleeve	Spindle	Misc	TYPE	KNUCKLE ASSY PART NO.	AXLE MODEL	LH or RH	BRAKE HOLE DIA.	Flange Pattern	Stop Screw	Spindle	Misc	TYPE	BUSHING TYPE	BUSHING PRESIZED SRV PART NO.	KING PIN KIT (328349 Can Upgrade to 503701)
817723	0.659	2	5	-	-	-	2 & 5	973210	E1322W, E1462W	LH	0.796	20	3	-	-	20 & 3	DX10	1460HD103	503701
817738	0.659	2	5	-	-	-	2 & 5	973278	E1322W, E1462I,W	RH	0.796	20	3	-	-	20 & 3	DX10	1460HD103	503701
817740	0.659	2	5	-	-	-	2 & 5	973398	E1322W, XW, E1462 I,XW	RH	0.796	20	3	-	-	20 & 3	DX10	1460HD103	503701
817744	0.659	2	5	-	-	-	2 & 5	973280	E1322W,XW E1462I,W,XW	RH	0.796	20	3	-	-	20 & 3	DX10	1460HD103	503701
818060	0.659	2	5	-	-	-	2 & 5	973282	E1322W	RH	0.796	20	3	-	-	20 & 3	DX10	1460HD103	503701
818102	0.659	2	5	-	-	-	2 & 5	973400	E1462 I, W	RH	0.796	20	3	-	-	20 & 3	DX10	1460HD103	503701
818104	0.659	2	5	-	-	-	2 & 5	973354	E1462I	LH	0.796	20	3	-	-	20 & 3	DX10	1460HD103	503701
818110	0.659	2	5	-	-	-	2 & 5	973402	E1462I	RH	0.796	20	3	-	-	20 & 3	DX10	1460HD103	503701
818112	0.659	2	5	-	-	-	2 & 5	973480	E1462 I	LH	0.796	20	3	-	-	20 & 3	DX10	1460HD103	503701
818188	0.659	2	5	-	-	-	2 & 5	973214	E1462I, W	LH	0.796	20	3	-	-	20 & 3	DX10	1460HD103	503701
818190	0.659	2	5	-	-	-	2 & 5	973284	E1462I,W	RH	0.796	20	3	-	-	20 & 3	DX10	1460HD103	503701
818196	0.659	2	5	-	-	-	2 & 5	973404	E1462 I, W	RH	0.796	20	3	-	-	20 & 3	DX10	1460HD103	503701
819386	0.659	2	5	-	-	7	2, 5 & 7	973356	E1462I	LH	0.796	20	3	-	7	20, 3 & 7	DX10	1460HD103	503701
819417	0.659	2	5	-	-	-	2 & 5	973362	E1462W	LH	0.796	20	3	-	-	20 & 3	DX10	1460HD103	503701
970900	0.659	2	5	-	-	-	2 & 5	973352	E1462 I, W	LH	0.796	20	3	-	-	20 & 3	DX10	1460HD103	503701
970904	0.659	2	5	-	-	-	2 & 5	973216	E1322W, E1462I,W	LH	0.796	20	3	-	-	20 & 3	DX10	1460HD103	503701
970940	0.659	2	5	-	-	-	2 & 5	973484	E1462 I	RH	0.796	20	3	-	-	20 & 3	DX10	1460HD103	503701
971020	0.659	2	5	-	-	-	2 & 5	973414	E1462 I, W	RH	0.796	20	3	-	-	20 & 3	DX10	1460HD103	503701
971024	0.659	2	5	-	-	-	2 & 5	973416	E1462 I	RH	0.796	20	3	-	-	20 & 3	DX10	1460HD103	503701
971398	0.659	2	5	-	-	-	2 & 5	973482	E1462 I	LH	0.796	20	3	-	-	20 & 3	DX10	1460HD103	503701
971400	0.659	2	5	-	-	-	2 & 5	973486	E1462 I	RH	0.796	20	3	-	-	20 & 3	DX10	1460HD103	503701
971486	0.659	2	3	8	11	-	2, 3, 8, 11 & 13	973088	E1322W, 1462W	LH	0.796	20	3	11	-	20, 3, 8, 11 & 13	DX10	1460HD103	503701
971488	0.659	2	3	8	11	-	2, 3, 8, 11 & 13	973138	E1322W, E1462I,W	RH	0.796	20	3	11	-	20, 3, 8, 11 & 13	DX10	1460HD103	503701
971490	0.659	2	3	8	11	-	2, 3, 8, 11 & 13	973090	E1462I, E1462W	LH	0.796	20	3	11	-	20, 3, 8, 11 & 13	DX10	1460HD103	503701
971492	0.659	2	3	8	11	-	2, 3, 8, 11 & 13	973140	E1462I, W	RH	0.796	20	3	11	-	20, 3, 8, 11 & 13	DX10	1460HD103	503701
971574	0.659	2	3	8	11	-	2, 3, 8, 11 & 13	973092	E1462W	LH	0.796	20	3	11	-	20, 3, 8, 11 & 13	DX10	1460HD103	503701
971576	0.659	2	3	8	11	-	2, 3, 8, 11 & 13	973094	E1462I, W	LH	0.796	20	3	11	-	20, 3, 8, 11 & 13	DX10	1460HD103	503701
971578	0.659	2	3	8	11	-	2, 3, 8, 11 & 13	973142	E1462I, W	RH	0.796	20	3	11	-	20, 3, 8, 11 & 13	DX10	1460HD103	503701
971593	0.659	2	3	8	11	-	2, 3, 8, 11 & 13	973096	E1462W	LH	0.796	20	3	11	-	20, 3, 8, 11 & 13	DX10	1460HD103	503701
971595	0.659	2	3	8	11	-	2, 3, 8, 11 & 13	973098	E1462I	LH	0.796	20	3	11	-	20, 3, 8, 11 & 13	DX10	1460HD103	503701
971607	0.659	2	3	8	11	-	2, 3, 8, 11 & 13	973100	E1462I	LH	0.796	20	3	11	-	20, 3, 8, 11 & 13	DX10	1460HD103	503701
971668	0.659	2	5	-	-	-	2 & 5	973368	E1462I	LH	0.796	20	3	-	-	20 & 3	DX10	1460HD103	503701
971670	0.659	2	5	-	-	-	2 & 5	973370	E1462I	LH	0.796	20	3	-	-	20 & 3	DX10	1460HD103	503701
971672	0.659	2	5	-	-	-	2 & 5	973372	E1462I	LH	0.796	20	3	-	-	20 & 3	DX10	1460HD103	503701
971677	0.659	2	3	8	11	-	2, 3, 8, 11 & 13	973102	E1202I, W	LH	0.796	20	3	11	-	20, 3, 8, 11 & 13	DX	806334	328349
971679	0.659	2	3	8	11	-	2, 3, 8, 11 & 13	973144	E1202I, W	RH	0.796	20	3	11	-	20, 3, 8, 11 & 13	DX	806334	328349
971681	0.659	2	3	8	11	-	2, 3, 8, 11 & 13	973104	E1202W	LH	0.796	20	3	11	-	20, 3, 8, 11 & 13	DX	806334	328349
971683	0.659	2	3	8	11	-	2, 3, 8, 11 & 13	973106	E1202I, W	LH	0.796	20	3	11	-	20, 3, 8, 11 & 13	DX	806334	328349

Knuckle Conversion Chart

Conversion Chart from 5/8" Bolt Hole Knuckles to 3/4" Bolt Hole Knuckles - Sorted in 5/8" Knuckle Part Number Sequence

5/8" .659" Brake Bolt Hole Knuckles								3/4" .796" Brake Bolt Hole Knuckles & Top Dead Center Mounted Brake Knuckles											
KNUCKLE ASSY PART NO.	BRAKE HOLE DIA.	Flange Pattern	Stop Screw	Sensor Sleeve	Spindle	Misc	TYPE	KNUCKLE ASSY PART NO.	AXLE MODEL	LH or RH	BRAKE HOLE DIA.	Flange Pattern	Stop Screw	Spindle	Misc	TYPE	BUSHING TYPE	BUSHING PRESIZED SRV PART NO.	KING PIN KIT (328349 Can Upgrade to 583701)
971685	0.659	2	3	8	11	-	2, 3, 8, 11 & 13	973146	E1202I, W	RH	0.796	20	3	11	-	20, 3, 8, 11 & 13	DX	806334	328349
971687	0.659	2	3	8	11	-	2, 3, 8, 11 & 13	973108	E1202I	LH	0.796	20	3	11	-	20, 3, 8, 11 & 13	DX	806334	328349
971693	0.659	2	3	8	11	-	2, 3, 8, 11 & 13	973110	E1202I, W	LH	0.796	20	3	11	-	20, 3, 8, 11 & 13	DX	806334	328349
971695	0.659	2	3	8	11	-	2, 3, 8, 11 & 13	973148	E1202I, W	RH	0.796	20	3	11	-	20, 3, 8, 11 & 13	DX	806334	328349
971724	0.659	2	3	8	11	-	2, 3, 8, 11 & 13	973112	E1202I, W	LH	0.796	20	3	11	-	20, 3, 8, 11 & 13	DX	806334	328349
971789	0.659	2	5	8	-	-	2, 5, 8 & 13	973162	E1202I,W E1322I,W	LH	0.796	20	3	-	-	20, 5, 8 & 13	DX	806334	328349
971791	0.659	2	5	8	-	-	2, 5, 8 & 13	973178	E1202I,W, E1322I	RH	0.796	20	3	-	-	20, 5, 8 & 13	DX	806334	328349
971802	0.659	2	5	8	-	-	2, 5, 8 & 13	973164	E1202I, E1322I	LH	0.796	20	3	-	-	20, 5, 8 & 13	DX	806334	328349
971804	0.659	2	5	8	-	-	2, 5, 8 & 13	973180	E1202I, E1322I	RH	0.796	20	3	-	-	20, 5, 8 & 13	DX	806334	328349
971829	0.659	2	5	-	-	-	2 & 5	973420	E1002 I, E1202 I & XW, E1302 I, E1322 I	RH	0.796	20	3	-	-	20 & 3	DX	806334	328349
971837	0.659	2	5	-	-	-	2 & 5	973288	E1002I, W E1202I,W XW E1322I	RH	0.796	20	3	-	-	20 & 3	DX	806334	328349
971839	0.659	2	5	-	-	-	2 & 5	973182	E1202I	RH	0.796	20	5	-	-	20 & 5	DX	806334	328349
971923	0.659	2	5	-	-	-	2 & 5	973374	E1002 I, E1202 I, E1302 I, E1322 I	LH	0.796	20	3	-	-	20 & 3	DX	806334	328349
971927	0.659	2	5	-	-	-	2 & 5	973376	E1002 I, E1202 I, E1302 I, E1322 I	LH	0.796	20	3	-	-	20 & 3	DX	806334	328349
971929	0.659	2	5	-	-	-	2 & 5	973378	E1002 I, E1202 I, E1302 I, E1322 I	LH	0.796	20	3	-	-	20 & 3	DX	806334	328349
971931	0.659	2	5	-	-	-	2 & 5	973218	E1002I, E1202I, E1322I	LH	0.796	20	3	-	-	20 & 3	DX	806334	328349
971933	0.659	2	5	-	-	-	2 & 5	973220	E1002I, E1202I, E1322I	LH	0.796	20	3	-	-	20 & 3	DX	806334	328349
971935	0.659	2	5	-	-	-	2 & 5	973222	E1002I, E1202I, E1322I	LH	0.796	20	3	-	-	20 & 3	DX	806334	328349
971937	0.659	2	5	-	-	-	2 & 5	973224	E1202I, E1322I	LH	0.796	20	3	-	-	20 & 3	DX	806334	328349
971939	0.659	2	5	-	-	-	2 & 5	973226	E1002I,W E1202I,W E1322I	LH	0.796	20	3	-	-	20 & 3	DX	806334	328349
971941	0.659	2	5	-	-	-	2 & 5	973228	E1002I,W, E1202I,W E1322I	LH	0.796	20	3	-	-	20 & 3	DX	806334	328349
971961	0.659	2	3	8	11	-	2, 3, 8, 11 & 13	973150	E1462W	RH	0.796	20	3	11	-	20, 3, 8, 11 & 13	DX10	1460HD103	503701
971983	0.659	2	3	8	11	-	2, 3, 8, 11 & 13	973152	E1462W	RH	0.796	20	3	11	-	20, 3, 8, 11 & 13	DX10	1460HD103	503701
971986	0.659	2	3	-	-	-	2 & 3	973426	E1202XW	LH	0.796	20	3	-	-	20 & 3	DX	806334	328349
971990	0.659	2	3	-	-	-	2 & 3	973424	E1202XW	LH	0.796	20	3	-	-	20 & 3	DX	806334	328349
972130	0.659	2	5	8	-	-	2, 5, 8 & 13	973166	E1202I, E1322I	LH	0.796	20	3	-	-	20, 5, 8 & 13	DX	806334	328349
972132	0.659	2	5	8	-	-	2, 5, 8 & 13	973168	E1202I, E1322I	LH	0.796	20	3	-	-	20, 5, 8 & 13	DX	806334	328349
972201	0.659	2	5	-	-	-	2 & 5	973170	E1202I	LH	0.796	20	5	-	-	20 & 5	DX	806334	328349
972203	0.659	2	5	-	-	-	2 & 5	685240	E1202I	LH	0.796	20	5	-	-	20 & 5	DX	806334	328349
972213	0.659	2	5	-	-	-	2 & 5	973174	E1202I	LH	0.796	20	5	-	-	20 & 5	DX	806334	328349
972215	0.659	2	5	-	-	-	2 & 5	685242	E1202I	LH	0.796	20	5	-	-	20 & 5	DX	806334	328349
972227	0.659	2	3	-	-	-	2 & 3	973470	E1202XW	LH	0.796	20	3	-	-	20 & 3	DX	806334	328349
972246	0.659	2	3	-	-	-	2 & 3	973286	E1002W, E1202I,W E1322I	RH	0.796	20	3	-	-	20 & 3	DX	806334	328349

Knuckle Conversion Chart

Conversion Chart from 5/8" Bolt Hole Knuckles to 3/4" Bolt Hole Knuckles - Sorted in 5/8" Knuckle Part Number Sequence

5/8" .659" Brake Bolt Hole Knuckles							3/4" .796" Brake Bolt Hole Knuckles & Top Dead Center Mounted Brake Knuckles												
KNUCKLE ASSY PART NO.	BRAKE HOLE DIA.	Flange Pattern	Stop Screw	Sensor Sleeve	Spindle	Misc	TYPE	KNUCKLE ASSY PART NO.	AXLE MODEL	LH or RH	BRAKE HOLE DIA.	Flange Pattern	Stop Screw	Spindle	Misc	TYPE	BUSHING TYPE	BUSHING PRESIZED SRV PART NO.	KING PIN KIT (328349 Can Upgrade to 503701)
972248	0.659	2	3	-	-	-	2 & 3	973288	E1002I, W E1202I, W XW E1322I	RH	0.796	20	3	-	-	20 & 3	DX	806334	328349
972250	0.659	2	3	-	-	-	2 & 3	973290	E1002I, W E1202I, W E1322I	RH	0.796	20	3	-	-	20 & 3	DX	806334	328349
972278	0.659	2	3	-	-	-	2 & 3	973280	E1322W, XW E1462I, W, XW	RH	0.796	20	3	-	-	20 & 3	DX10	1460HD103	503701
972423	0.659	2	3	-	-	-	2 & 3	973422	E1322XW	LH	0.796	20	3	-	-	20 & 3	DX10	1460HD103	503701
972425	0.659	2	3	-	-	-	2 & 3	973278	E1322W, E1462I, W	RH	0.796	20	3	-	-	20 & 3	DX10	1460HD103	503701
972489	0.659	2	3	-	-	-	2 & 3	973420	E1002 I, E1202 I & XW, E1302 I, E1322 I	RH	0.796	20	3	-	-	20 & 3	DX	806334	328349
972495	0.659	2	5	-	-	-	2 & 5	973230	E1322W	LH	0.796	20	3	-	-	20 & 3	DX10	1460HD103	503701
972497	0.659	2	5	-	-	-	2 & 5	973232	E1322W	LH	0.796	20	3	-	-	20 & 3	DX10	1460HD103	503701
972512	0.659	2	3	-	-	-	2 & 3	973472	E1202XW	LH	0.796	20	3	-	-	20 & 3	DX	806334	328349
972525	0.659	2	3	8	11	-	2, 3, 8, 11 & 13	973114	E1002W, E1202I, W	LH	0.796	20	3	11	-	20, 3, 8, 11 & 13	DX	806334	328349
972529	0.659	2	5	-	-	7	2, 5 & 7	973388	E1462I	LH	0.796	20	3	-	7	20, 3 & 7	DX10	1460HD103	503701
972535	0.659	2	3	-	-	-	2 & 3	973434	E1322XW, E1462W	LH	0.796	20	3	-	-	20 & 3	DX10	1460HD103	503701
972537	0.659	2	3	-	-	-	2 & 3	973458	E1202XW	LH	0.796	20	3	-	-	20 & 3	DX	806334	328349
972563	0.659	2	5	-	-	-	2 & 5	973262	E1202I	LH	0.796	20	3	-	-	20 & 3	DX	806334	328349
972597	0.659	2	5	8	-	-	2, 5 & 8	973452	NI	RH	0.796	20	5	-	-	20, 5 & 8	DX10	1460HD103	503701
972644	0.659	2	3	8	11	-	2, 3, 8, 11 & 13	973116	E1202I, W	LH	0.796	20	3	11	-	20, 3, 8, 11 & 13	DX	806334	328349
972646	0.659	2	3	8	11	-	2, 3, 8, 11 & 13	973118	E1202W	LH	0.796	20	3	11	-	20, 3, 8, 11 & 13	DX	806334	328349
972668	0.659	2	3	8	11	-	2, 3, 8, 11 & 13	973120	E1462I	LH	0.796	20	3	11	-	20, 3, 8, 11 & 13	DX10	1460HD103	503701
972670	0.659	2	3	8	11	-	2, 3, 8, 11 & 13	973122	E1462I	LH	0.796	20	3	11	-	20, 3, 8, 11 & 13	DX10	1460HD103	503701
972682	0.659	2	3	8	11	-	2, 3, 8, 11 & 13	973124	E1462W	LH	0.796	20	3	11	-	20, 3, 8, 11 & 13	DX10	1460HD103	503701
972758	0.659	2	3	8	11	-	2, 3, 8, 11 & 13	973126	E1202W	LH	0.796	20	3	11	-	20, 3, 8, 11 & 13	DX	806334	328349
972760	0.659	2	3	8	11	-	2, 3, 8, 11 & 13	973128	E1202W	LH	0.796	20	3	11	-	20, 3, 8, 11 & 13	DX	806334	328349
972766	0.659	2	3	-	-	-	2 & 3	973488	E1202XW	LH	0.796	20	3	-	-	20 & 3	DX	806334	328349
972768	0.659	2	3	8	11	-	2, 3, 8, 11 & 13	973134	E1202I	LH	0.796	20	3	11	-	20, 3, 8, 11 & 13	DX	806334	328349
972774	0.659	2	3	-	-	-	2 & 3	685208	E1462I, W	LH	0.796	20	3	-	-	20 & 3	DX10	1460HD103	503701
972776	0.659	2	3	-	-	-	2 & 3	685202	E1462	LH	0.796	20	3	-	-	20 & 3	DX10	1460HD103	503701
972794	0.659	2	3	-	-	-	2 & 3	973398	E1322W, XW, E1462 I, XW	RH	0.796	20	3	-	-	20 & 3	DX10	1460HD103	503701
972796	0.659	2	3	-	-	-	2 & 3	973454	E1322XW	LH	0.796	20	3	-	-	20 & 3	DX10	1460HD103	503701
972820	0.659	2	5	-	-	-	2 & 5	973264	E1202I, W E1322I	LH	0.796	20	3	-	-	20 & 3	DX	806334	328349
972822	0.659	2	5	-	-	-	2 & 5	973266	E1202I, W E1322I	LH	0.796	20	3	-	-	20 & 3	DX	806334	328349
972824	0.659	2	5	-	-	-	2 & 5	973268	E1202I, W E1322I	LH	0.796	20	3	-	-	20 & 3	DX	806334	328349
972826	0.659	2	5	-	-	-	2 & 5	973270	E1202I, W E1322I	LH	0.796	20	3	-	-	20 & 3	DX	806334	328349
972828	0.659	2	5	-	-	-	2 & 5	973272	E1202I, W E1322I	LH	0.796	20	3	-	-	20 & 3	DX	806334	328349
972830	0.659	2	5	-	-	-	2 & 5	973274	E1202I, W E1322I	LH	0.796	20	3	-	-	20 & 3	DX	806334	328349
972832	0.659	2	5	-	-	-	2 & 5	685222	E1202	LH	0.796	20	3	-	-	20 & 3	DX	806334	328349
972834	0.659	2	5	-	-	-	2 & 5	685224	E1202W	LH	0.796	20	3	-	-	20 & 3	DX	806334	328349

Knuckle Conversion Chart

Conversion Chart from 5/8" Bolt Hole Knuckles to 3/4" Bolt Hole Knuckles - Sorted in 5/8" Knuckle Part Number Sequence

5/8" .659" Brake Bolt Hole Knuckles								3/4" .796" Brake Bolt Hole Knuckles & Top Dead Center Mounted Brake Knuckles											
KNUCKLE ASSY PART NO.	BRAKE HOLE DIA.	Flange Pattern	Stop Screw	Sensor Sleeve	Spindle	Misc	TYPE	KNUCKLE ASSY PART NO.	AXLE MODEL	LH or RH	BRAKE HOLE DIA.	Flange Pattern	Stop Screw	Spindle	Misc	TYPE	BUSHING TYPE	BUSHING PRESIZED SRV PART NO.	KING PIN KIT (328349 Can Upgrade to 503701)
972836	0.659	2	5	-	-	-	2 & 5	685226	E1202W	LH	0.796	20	3	-	-	20 & 3	DX	806334	328349
972838	0.659	2	5	-	-	-	2 & 5	973392	E1202W	LH	0.796	20	3	-	-	20 & 3	DX	806334	328349
972840	0.659	2	5	-	-	-	2 & 5	973394	E1202W	LH	0.796	20	3	-	-	20 & 3	DX	806334	328349
972842	0.659	2	5	-	-	-	2 & 5	973396	E1202W	LH	0.796	20	3	-	-	20 & 3	DX	806334	328349
972844	0.659	2	5	-	-	-	2 & 5	685228	E1322	LH	0.796	20	3	-	-	20 & 3	DX10	1460HD103	503701
972846	0.659	2	5	-	-	-	2 & 5	685230	E1322	LH	0.796	20	3	-	-	20 & 3	DX10	1460HD103	503701
972848	0.659	2	5	-	-	-	2 & 5	685232	E1322	LH	0.796	20	3	-	-	20 & 3	DX10	1460HD103	503701
972850	0.659	2	5	-	-	-	2 & 5	685234	E1322I, W	LH	0.796	20	3	-	-	20 & 3	DX10	1460HD103	503701
972852	0.659	2	5	-	-	-	2 & 5	685236	E1322, W	LH	0.796	20	3	-	-	20 & 3	DX10	1460HD103	503701
972854	0.659	2	5	-	-	-	2 & 5	685238	E1322, W	LH	0.796	20	3	-	-	20 & 3	DX10	1460HD103	503701
972858	0.659	2	5	-	-	-	2 & 5	973292	E1202I	RH	0.796	20	3	-	-	20 & 3	DX	806334	328349
972860	0.659	2	5	-	-	-	2 & 5	973294	E1202I	RH	0.796	20	3	-	-	20 & 3	DX	806334	328349
972862	0.659	2	5	-	-	-	2 & 5	973276	E1202I	LH	0.796	20	3	-	-	20 & 3	DX	806334	328349
972866	0.659	2	3	-	-	-	2 & 3	685204	E1322, E1462	LH	0.796	20	3	-	-	20 & 3	DX10	1460HD103	503701
972920	0.659	2	3	-	-	-	2 & 3	973210	E1322W, E1462W	LH	0.796	20	3	-	-	20 & 3	DX10	1460HD103	503701
972921	0.659	2	3	-	-	-	2 & 3	973212	E1322W, E1462I, W	LH	0.796	20	3	-	-	20 & 3	DX10	1460HD103	503701
972922	0.659	2	3	-	-	-	2 & 3	973214	E1462I, W	LH	0.796	20	3	-	-	20 & 3	DX10	1460HD103	503701
972923	0.659	2	3	-	-	-	2 & 3	973352	E1462 I, W	LH	0.796	20	3	-	-	20 & 3	DX10	1460HD103	503701
972924	0.659	2	3	-	-	-	2 & 3	973216	E1322W, E1462I, W	LH	0.796	20	3	-	-	20 & 3	DX10	1460HD103	503701
972925	0.659	2	3	-	-	-	2 & 3	973218	E1002I, E1202I, E1322I	LH	0.796	20	3	-	-	20 & 3	DX	806334	328349
972926	0.659	2	3	-	-	-	2 & 3	973220	E1002I, E1202I, E1322I	LH	0.796	20	3	-	-	20 & 3	DX	806334	328349
972927	0.659	2	3	-	-	-	2 & 3	973222	E1002I, E1202I, E1322I	LH	0.796	20	3	-	-	20 & 3	DX	806334	328349
972928	0.659	2	3	-	-	-	2 & 3	973224	E1202I, E1322I	LH	0.796	20	3	-	-	20 & 3	DX	806334	328349
972929	0.659	2	3	-	-	-	2 & 3	973226	E1002I, W, E1202I, W, E1322I	LH	0.796	20	3	-	-	20 & 3	DX	806334	328349
972930	0.659	2	3	-	-	-	2 & 3	973228	E1002I, W, E1202I, W, E1322I	LH	0.796	20	3	-	-	20 & 3	DX	806334	328349
972931	0.659	2	3	-	-	-	2 & 3	973230	E1322W	LH	0.796	20	3	-	-	20 & 3	DX10	1460HD103	503701
972932	0.659	2	3	-	-	-	2 & 3	973232	E1322W	LH	0.796	20	3	-	-	20 & 3	DX10	1460HD103	503701
972933	0.659	2	3	-	-	-	2 & 3	973278	E1322W, E1462I, W	RH	0.796	20	3	-	-	20 & 3	DX10	1460HD103	503701
972934	0.659	2	3	-	-	-	2 & 3	973280	E1322W, XW, E1462I, W, XW	RH	0.796	20	3	-	-	20 & 3	DX10	1460HD103	503701
972935	0.659	2	3	-	-	-	2 & 3	973282	E1322W	RH	0.796	20	3	-	-	20 & 3	DX10	1460HD103	503701
972936	0.659	2	3	-	-	-	2 & 3	973284	E1462I, W	RH	0.796	20	3	-	-	20 & 3	DX10	1460HD103	503701
972937	0.659	2	3	-	-	-	2 & 3	973286	E1002W, E1202I, W, E1322I	RH	0.796	20	3	-	-	20 & 3	DX	806334	328349
972938	0.659	2	3	-	-	-	2 & 3	973288	E1002I, W, E1202I, W, XW, E1322I	RH	0.796	20	3	-	-	20 & 3	DX	806334	328349
972939	0.659	2	3	-	-	-	2 & 3	973290	E1002I, W, E1202I, W, E1322I	RH	0.796	20	3	-	-	20 & 3	DX	806334	328349
972940	0.659	2	3	-	-	-	2 & 3	973234	E1322W, E1462I, W	LH	0.796	20	3	-	-	20 & 3	DX10	1460HD103	503701
972942	0.659	10	3	-	-	-	3 & 10	973296	E1002I, W, E1202I, W	LH	0.659	23	3	-	-	23 & 3	DX	806334	328349
972944	0.659	1	3	-	-	-	1, 3 & 14	973324	E1002I, E1202I, W	LH	0.659	22	3	-	-	22, 3 & 14	DX	806334	328349

Knuckle Conversion Chart

Conversion Chart from 5/8" Bolt Hole Knuckles to 3/4" Bolt Hole Knuckles - Sorted in 5/8" Knuckle Part Number Sequence

5/8" .659" Brake Bolt Hole Knuckles								3/4" .796" Brake Bolt Hole Knuckles & Top Dead Center Mounted Brake Knuckles											
KNUCKLE ASSY PART NO.	BRAKE HOLE DIA.	Flange Pattern	Stop Screw	Sensor Sleeve	Spindle	Misc	TYPE	KNUCKLE ASSY PART NO.	AXLE MODEL	LH or RH	BRAKE HOLE DIA.	Flange Pattern	Stop Screw	Spindle	Misc	TYPE	BUSHING TYPE	BUSHING PRESIZED SRV PART NO.	KING PIN KIT (328349 Can Upgrade to 503701)
972946	0.659	10	3	-	-	-	3 & 10	973298	E1002I, W E1202I	LH	0.659	23	3	-	-	23 & 3	DX	806334	328349
972948	0.659	1	3	-	-	-	1, 3 & 14	973326	E1002I, W E1202I	LH	0.659	22	3	-	-	22, 3 & 14	DX	806334	328349
972950	0.659	10	3	-	-	-	3 & 10	973300	E1002I, W E1202I,W	LH	0.659	23	3	-	-	23 & 3	DX	806334	328349
972952	0.659	1	3	-	-	-	1, 3 & 14	973328	E1002I, W E1202I,W	LH	0.659	22	3	-	-	22, 3 & 14	DX	806334	328349
972954	0.659	10	3	-	-	-	3 & 10	973302	E1002I, W E1202I,W	LH	0.659	23	3	-	-	23 & 3	DX	806334	328349
972956	0.659	1	3	-	-	-	1, 3 & 14	973330	E1002I, W E1202I,W	LH	0.659	22	3	-	-	22, 3 & 14	DX	806334	328349
972958	0.659	10	3	-	-	-	3 & 10	973304	E1002I, W E1202I	LH	0.659	23	3	-	-	23 & 3	DX	806334	328349
972960	0.659	1	3	-	-	-	1, 3 & 14	973332	E1002I, W E1202I	LH	0.659	22	3	-	-	22, 3 & 14	DX	806334	328349
972962	0.659	10	3	-	-	-	3 & 10	973306	E1002I, W E1202I	LH	0.659	23	3	-	-	23 & 3	DX	806334	328349
972964	0.659	1	3	-	-	-	1, 3 & 14	973334	E1002I, W E1202I	LH	0.659	22	3	-	-	22, 3 & 14	DX	806334	328349
972966	0.659	10	3	-	-	-	3 & 10	973318	E1002I, W E1202I,W	RH	0.659	23	3	-	-	23 & 3	DX	806334	328349
972968	0.659	1	3	-	-	-	1, 3 & 14	973346	E1002I, W E1202I,W	RH	0.659	22	3	-	-	22, 3 & 14	DX	806334	328349
972970	0.659	10	3	-	-	-	3 & 10	973320	E1002I, W E1202I,W	RH	0.659	23	3	-	-	23 & 3	DX	806334	328349
972972	0.659	1	3	-	-	-	1, 3 & 14	973348	E1002I, W E1202I,W	RH	0.659	22	3	-	-	22, 3 & 14	DX	806334	328349
972974	0.659	10	3	-	-	-	3 & 10	973322	E1002I, W E1202I,W	RH	0.659	23	3	-	-	23 & 3	DX	806334	328349
972976	0.659	1	3	-	-	-	1, 3 & 14	973350	E1002I, W E1202W	RH	0.659	22	3	-	-	22, 3 & 14	DX	806334	328349
973007	0.659	2	3	-	-	-	2 & 3	973236	E1322W E1462I,W	LH	0.796	20	3	-	-	20 & 3	DX10	1460HD103	503701
973008	0.659	2	3	-	-	-	2 & 3	973238	E1322W E1462I,W	LH	0.796	20	3	-	-	20 & 3	DX10	1460HD103	503701
973009	0.659	2	3	-	-	-	2 & 3	973240	E1462I,W	LH	0.796	20	3	-	-	20 & 3	DX10	1460HD103	503701
973010	0.659	2	3	-	-	-	2 & 3	973242	E1202I,W E1322I	LH	0.796	20	3	-	-	20 & 3	DX	806334	328349
973011	0.659	2	3	-	-	-	2 & 3	973244	E1202I,W E1322I	LH	0.796	20	3	-	-	20 & 3	DX	806334	328349
973012	0.659	2	3	-	-	-	2 & 3	973246	E1202I,W E1322I	LH	0.796	20	3	-	-	20 & 3	DX	806334	328349
973013	0.659	2	3	-	-	-	2 & 3	973248	E1322W	LH	0.796	20	3	-	-	20 & 3	DX10	1460HD103	503701
973021	0.659	2	3	-	-	-	2 & 3	973278	E1322W, E1462I,W	RH	0.796	20	3	-	-	20 & 3	DX10	1460HD103	503701
973022	0.659	2	3	-	-	-	2 & 3	973280	E1322W,XW E1462I,W,XW	RH	0.796	20	3	-	-	20 & 3	DX10	1460HD103	503701
973023	0.659	2	3	-	-	-	2 & 3	973282	E1322W	RH	0.796	20	3	-	-	20 & 3	DX10	1460HD103	503701
973024	0.659	2	3	-	-	-	2 & 3	973284	E1462I,W	RH	0.796	20	3	-	-	20 & 3	DX10	1460HD103	503701
973025	0.659	2	3	-	-	-	2 & 3	973286	E1002W, E1202I,W E1322I	RH	0.796	20	3	-	-	20 & 3	DX	806334	328349
973026	0.659	2	3	-	-	-	2 & 3	973288	E1002I, W E1202I,W XW E1322I	RH	0.796	20	3	-	-	20 & 3	DX	806334	328349
973027	0.659	2	3	-	-	-	2 & 3	973290	E1002I,W E1202I,W E1322I	RH	0.796	20	3	-	-	20 & 3	DX	806334	328349
973035	0.659	2	3	-	-	-	2 & 3	973250	E1322W	LH	0.796	20	3	-	-	20 & 3	DX10	1460HD103	503701
973036	0.659	2	3	-	-	-	2 & 3	973252	E1322W	LH	0.796	20	3	-	-	20 & 3	DX10	1460HD103	503701
973038	0.659	2	3	-	-	-	2 & 3	973254	E1202I,W E1322I	LH	0.796	20	3	-	-	20 & 3	DX	806334	328349

Knuckle Conversion Chart

Conversion Chart from 5/8" Bolt Hole Knuckles to 3/4" Bolt Hole Knuckles - Sorted in 5/8" Knuckle Part Number Sequence

5/8" .659" Brake Bolt Hole Knuckles								3/4" .796" Brake Bolt Hole Knuckles & Top Dead Center Mounted Brake Knuckles											
KNUCKLE ASSY PART NO.	BRAKE HOLE DIA.	Flange Pattern	Stop Screw	Sensor Sleeve	Spindle	Misc	TYPE	KNUCKLE ASSY PART NO.	AXLE MODEL	LH or RH	BRAKE HOLE DIA.	Flange Pattern	Stop Screw	Spindle	Misc	TYPE	BUSHING TYPE	BUSHING PRESIZED SRV PART NO.	KING PIN KIT (328349 Can Upgrade to 583701)
973039	0.659	2	3	-	-	-	2 & 3	973256	E1202I,W E1322I	LH	0.796	20	3	-	-	20 & 3	DX	806334	328349
973040	0.659	2	3	-	-	-	2 & 3	973258	E1202I,W E1322I	LH	0.796	20	3	-	-	20 & 3	DX	806334	328349
973041	0.659	2	3	-	-	-	2 & 3	973260	E1322W	LH	0.796	20	3	-	-	20 & 3	DX10	1460HD103	503701
973049	0.659	2	3	-	-	-	2 & 3	973278	E1322W, E1462I,W	RH	0.796	20	3	-	-	20 & 3	DX10	1460HD103	503701
973050	0.659	2	3	-	-	-	2 & 3	973280	E1322W,XW E1462I,W,XW	RH	0.796	20	3	-	-	20 & 3	DX10	1460HD103	503701
973051	0.659	2	3	-	-	-	2 & 3	973282	E1322W	RH	0.796	20	3	-	-	20 & 3	DX10	1460HD103	503701
973052	0.659	2	3	-	-	-	2 & 3	973284	E1462I,W	RH	0.796	20	3	-	-	20 & 3	DX10	1460HD103	503701
973053	0.659	2	3	-	-	-	2 & 3	973286	E1002W, E1202I,W E1322I	RH	0.796	20	3	-	-	20 & 3	DX	806334	328349
973054	0.659	2	3	-	-	-	2 & 3	973288	E1002I, W E1202I,W XW E1322I	RH	0.796	20	3	-	-	20 & 3	DX	806334	328349
973055	0.659	2	3	-	-	-	2 & 3	973290	E1002I,W E1202I,W E1322I	RH	0.796	20	3	-	-	20 & 3	DX	806334	328349
973063	0.659	2	3	-	-	19	2, 3 & 19	973444	E1202XW - TDC	RH	0.796	20	3	-	19	20, 3 & 19	DX10	1460HD103 1460HD104	503700
973064	0.659	2	3	-	-	19	2, 3 & 19	973442	E1202XW - TDC	RH	0.796	20	3	-	19	20, 3 & 19	DX10	1460HD103 1460HD104	503700
973065	0.659	2	3	-	-	19	2, 3 & 19	973446	E1202XW - TDC	RH	0.796	20	3	-	19	20, 3 & 19	DX10	1460HD103 1460HD104	503700
973066	0.659	2	3	-	-	19	2, 3 & 19	973440	E1202XW - TDC	LH	0.796	20	3	-	19	20, 3 & 19	DX10	1460HD103 1460HD104	503700
973067	0.659	2	3	-	-	19	2, 3 & 19	973436	E1202XW - TDC	LH	0.796	20	3	-	19	20, 3 & 19	DX10	1460HD103 1460HD104	503700
973068	0.659	2	3	-	-	19	2, 3 & 19	973438	E1202XW - TDC	LH	0.796	20	3	-	19	20, 3 & 19	DX10	1460HD103 1460HD104	503700
973075	0.659	2	3	8	11	-	2, 3, 8, 11 & 13	973136	E1462W	LH	0.796	20	3	11	-	20, 3, 8, 11 & 13	DX10	1460HD103	503701
973204	0.659	2	3	-	-	-	2 & 3	685244	E1202I	LH	0.796	20	3	-	-	20 & 3	DX	806334	328349
973206	0.659	2	3	-	-	-	2 & 3	685246	E1202I	LH	0.796	20	3	-	-	20 & 3	DX	806334	328349
973208	0.659	2	3	-	-	-	2 & 3	685248	E1202I	LH	0.796	20	3	-	-	20 & 3	DX	806334	328349
-	-	-	-	-	-	-	-	973308	E1202W	LH	0.659	23	3	-	-	23 & 3	DX	806334	328349
-	-	-	-	-	-	-	-	973310	E1202W	LH	0.659	23	3	-	-	23 & 3	DX	806334	328349
-	-	-	-	-	-	-	-	973312	E1202W	LH	0.659	23	3	-	-	23 & 3	DX	806334	328349
-	-	-	-	-	-	-	-	973336	E1202W	LH	0.659	22	3	-	-	22, 3 & 14	DX	806334	328349
-	-	-	-	-	-	-	-	973338	E1202W	LH	0.659	22	3	-	-	22, 3 & 14	DX	806334	328349
-	-	-	-	-	-	-	-	973340	E1202W	LH	0.659	22	3	-	-	22, 3 & 14	DX	806334	328349
-	-	-	-	-	-	-	-	973462	E1322W TDC	LH	0.796	20	3	-	19	20, 3 & 19	DX10	1460HD103 1460HD104	503700
-	-	-	-	-	-	-	-	973464	E1322W TDC	RH	0.796	20	3	-	19	20, 3 & 19	DX10	1460HD103 1460HD104	503700
-	-	-	-	-	-	-	-	973466	E1322W TDC	LH	0.796	20	3	-	19	20, 3 & 19	DX10	1460HD103 1460HD104	503700
-	-	-	-	-	-	-	-	973468	E1322W TDC	RH	0.796	20	3	-	19	20, 3 & 19	DX10	1460HD103 1460HD104	503700
-	-	-	-	-	-	-	-	973490	TDC	LH	0.796	20	3	-	19	20, 3 & 19	DX10	1460HD103 1460HD104	503700
-	-	-	-	-	-	-	-	973492	TDC	LH	0.796	20	3	-	19	20, 3 & 19	DX10	1460HD103 1460HD104	503700
-	-	-	-	-	-	-	-	973494	TDC	LH	0.796	20	3	-	19	20, 3 & 19	DX10	1460HD103 1460HD104	503700
-	-	-	-	-	-	-	-	973496	TDC	RH	0.796	20	3	-	19	20, 3 & 19	DX10	1460HD103 1460HD104	503700
-	-	-	-	-	-	-	-	973498	TDC	RH	0.796	20	3	-	19	20, 3 & 19	DX10	1460HD103 1460HD104	503700

Axle Specifications E1002-E1202

STEER AXLE ASSEMBLY SPECIFICATION	I-BEAM SPECIFICATION	KNUCKLE ASSY LH ASSY RH	TIE ROD ASSY	STOP SCREW LH / RH	FRONT STEER SPINDLE NUT	TURN ANGLE LH / RH
1002BN100-1	1202TB103-4	971724 971679	815326	120HM101	1.50-12 UNF-2A THD	30°-50° 30°-50°
1002BN100-2	1202TB103-4	971683 971685	815326	120HM101	1.50-12 UNF-2A THD	30°-50° 30°-50°
1002BN100-3	1202TB103-4	971724 971679	815326	120HM101	1.50-12 UNF-2A THD	30°-50° 30°-50°
1002BN100-4	1202TB103-4	972525 971695	815326	120HM101	1.50-12 UNF-2A THD	30°-50° 30°-50°
1002BN100-5	1202TB103-4	972525 971695	815326	120HM101	1.50-12 UNF-2A THD	30°-50° 30°-50°
1002BN100-6	1202TB103-4	685308 685310	815326	120HM101	1.50-12 UNF-2A THD	30°-50° 30°-50°
1002BN100-7	1202TB103-4	973114 973148	815326	120HM101	1.50-12 UNF-2A THD	30°-50° 30°-50°
1002BN100-8	1202TB103-4	973112 973144	815326	120HM101	1.50-12 UNF-2A THD	30°-50° 30°-50°
1002BN100-9	1202TB103-4	685382 685384	815326	120HM101	1.50-12 UNF-2A THD	30°-50° 30°-50°
1002BN101-3	1202TB104-12	972788 972790	971443	816369 816369	1.50-18 UNEF-2A THD	46°-50° 46°-50°
1002BN101-4	1202TB104-8	971931 971837	971443	816369 816369	1.50-18 UNEF-2A THD	46°-50° 46°-50°
1002BN101-5	1202TB104-8	971935 971839	971443	816369 816369	1.50-18 UNEF-2A THD	46°-50° 46°-50°
1002BN101-6	1202TB104-8	971937 971833	971443	816369 816369	1.50-18 UNEF-2A THD	46°-50° 46°-50°
1002BN101-7	1202TB104-8	971933 971837	971443	816369 816369	1.50-18 UNEF-2A THD	46°-50° 46°-50°
1002BN101-8	1202TB104-8	971939 971839	971443	816369 816369	1.50-18 UNEF-2A THD	46°-50° 46°-50°
1002BN101-9	1202TB104-8	971941 971833	971443	816369 816369	1.50-18 UNEF-2A THD	46°-50° 46°-50°
1002BN101-10	1202TB104-8	972926 972938	971443	120HM101 120HM101	1.50-18 UNEF-2A THD	30°-50° 30°-50°
1002BN101-11	1202TB104-8	972929 972939	971443	120HM101 120HM101	1.50-18 UNEF-2A THD	30°-50° 30°-50°
1002BN101-12	1202TB104-8	972930 972937	971443	120HM101 120HM101	1.50-18 UNEF-2A THD	30°-50° 30°-50°
1002BN101-13	1202TB104-8	972925 972938	971443	120HM101 120HM101	1.50-18 UNEF-2A THD	30°-50° 30°-50°

Axle Specifications E1002-E1202

STEER AXLE ASSEMBLY SPECIFICATION	I-BEAM SPECIFICATION	KNUCKLE ASSY LH ASSY RH	TIE ROD ASSY	STOP SCREW LH / RH	FRONT STEER SPINDLE NUT	TURN ANGLE LH / RH
1002BN101-14	1202TB104-8	972927 972939	971443	120HM101 120HM101	1.50-18 UNEF-2A THD	30°-50° 30°-50°
1002BN101-15	1202TB104-8	972928 972937	971443	120HM101 120HM101	1.50-18 UNEF-2A THD	30°-50° 30°-50°
1002BN101-16	1202TB104-8	972946 972970	971443	120HM101 120HM101	1.50-18 UNEF-2A THD	30°-50° 30°-50°
1002BN101-17	1202TB104-8	972958 972974	971443	120HM101 120HM101	1.50-18 UNEF-2A THD	30°-50° 30°-50°
1002BN101-18	1202TB104-8	972962 972966	971443	120HM101 120HM101	1.50-18 UNEF-2A THD	30°-50° 30°-50°
1002BN101-19	1202TB104-8	972942 972970	971443	120HM101 120HM101	1.50-18 UNEF-2A THD	30°-50° 30°-50°
1002BN101-20	1202TB104-8	972950 972974	971443	120HM101 120HM101	1.50-18 UNEF-2A THD	30°-50° 30°-50°
1002BN101-21	1202TB104-8	972954 972966	971443	120HM101 120HM101	1.50-18 UNEF-2A THD	30°-50° 30°-50°
1002BN101-22	1202TB104-8	973220 973288	971443	120HM101 120HM101	1.50-18 UNEF-2A THD	30°-50° 30°-50°
1002BN101-23	1202TB104-8	973226 973290	971443	120HM101 120HM101	1.50-18 UNEF-2A THD	30°-50° 30°-50°
1002BN101-24	1202TB104-8	973228 973286	971443	120HM101 120HM101	1.50-18 UNEF-2A THD	30°-50° 30°-50°
1002BN101-25	1202TB104-8	973218 973288	971443	120HM101 120HM101	1.50-18 UNEF-2A THD	30°-50° 30°-50°
1002BN101-26	1202TB104-8	973222 973290	971443	120HM101 120HM101	1.50-18 UNEF-2A THD	30°-50° 30°-50°
1002BN101-27	1202TB104-8	973224 973286	971443	120HM101 120HM101	1.50-18 UNEF-2A THD	30°-50° 30°-50°
1002BN101-28	1202TB104-8	973298 973320	971443	120HM101 120HM101	1.50-18 UNEF-2A THD	30°-50° 30°-50°
1002BN101-29	1202TB104-8	973304 973322	971443	120HM101 120HM101	1.50-18 UNEF-2A THD	30°-50° 30°-50°
1002BN101-30	1202TB104-8	973306 973318	971443	120HM101 120HM101	1.50-18 UNEF-2A THD	30°-50° 30°-50°
1002BN101-31	1202TB104-8	973296 973320	971443	120HM101 120HM101	1.50-18 UNEF-2A THD	30°-50° 30°-50°
1002BN101-32	1202TB104-8	973300 973322	971443	120HM101 120HM101	1.50-18 UNEF-2A THD	30°-50° 30°-50°
1002BN101-33	1202TB104-8	973302 973318	971443	120HM101 120HM101	1.50-18 UNEF-2A THD	30°-50° 30°-50°

Axle Specifications E1002-E1202

STEER AXLE ASSEMBLY SPECIFICATION	I-BEAM SPECIFICATION	KNUCKLE ASSY LH ASSY RH	TIE ROD ASSY	STOP SCREW LH / RH	FRONT STEER SPINDLE NUT	TURN ANGLE LH / RH
1002BN101-34	1202TB104-8	973326 973348	971443	120HM101 120HM101	1.50-18 UNEF-2A THD	30°-50° 30°-50°
1002BN101-35	1202TB104-8	973332 973350	971443	120HM101 120HM101	1.50-18 UNEF-2A THD	30°-50° 30°-50°
1002BN101-36	1202TB104-8	973334 973346	971443	120HM101 120HM101	1.50-18 UNEF-2A THD	30°-50° 30°-50°
1002BN101-37	1202TB104-8	973324 973348	971443	120HM101 120HM101	1.50-18 UNEF-2A THD	30°-50° 30°-50°
1002BN101-38	1202TB104-8	973328 973350	971443	120HM101 120HM101	1.50-18 UNEF-2A THD	30°-50° 30°-50°
1002BN101-39	1202TB104-8	973330 973346	971443	120HM101	1.50-18 UNEF-2A THD	30°-50°
1002BN102-1	1202TB105-2	971683 971685	971443	120HM101	1.50-12 UNF-2A THD	30°-50° 30°-50°
1002BN102-2	1202TB105-4	972011 971100	971443	816369 816369	1.50-18 UNEF-2A THD	46°-50° 46°-50°
1002BN102-3	1202TB105-2	972525 971695	971443	120HM101	1.50-12 UNF-2A THD	30°-50° 30°-50°
1002BN102-4	1202TB105-2	971724 971679	971443	120HM101	1.50-12 UNF-2A THD	30°-50° 30°-50°
1002BN102-5	1202TB105-3	972525 971695	971443	120HM101	1.50-12 UNF-2A THD	30°-50° 30°-50°
1002BN102-6	1202TB105-3	971683 971685	971443	120HM101	1.50-12 UNF-2A THD	30°-50° 30°-50°
1002BN102-7	1202TB105-3	971724 971679	971443	120HM101	1.50-12 UNF-2A THD	30°-50° 30°-50°
1002BN102-8	1462TB103-8	972880 971695	971443	120HM101	1.50-12 UNF-2A THD	30°-50° 30°-50°
1002BN102-9	1462TB103-8	972888 971685	971443	120HM101	1.50-12 UNF-2A THD	30°-50° 30°-50°
1002BN102-10	1462TB103-8	972880 971695	971443	120HM101	1.50-12 UNF-2A THD	30°-50° 30°-50°
1002BN102-11	1462TB103-8	972888 971685	971443	120HM101	1.50-12 UNF-2A THD	30°-50° 30°-50°
1002BN102-12	1202TB105-8	972897 972173	971443	816369 816369	1.50-18 UNEF-2A THD	46°-50° 46°-50°
1002BN102-13	1202TB105-2	973114 973148	971443	120HM101	1.50-12 UNF-2A THD	30°-50° 30°-50°
1002BN102-15 RH STEER	1202TB105-8	972632 685292	971443	816369 816369	1.50-18 UNEF-2A THD	46°-50° 46°-50°

Axle Specifications E1002-E1202

STEER AXLE ASSEMBLY SPECIFICATION	I-BEAM SPECIFICATION	KNUCKLE ASSY LH ASSY RH	TIE ROD ASSY	STOP SCREW LH / RH	FRONT STEER SPINDLE NUT	TURN ANGLE LH / RH
1002BN102-16	1462TB103-8	973456 973146	971443	120HM101	1.50-12 UNF-2A THD	30°-50° 30°-50°
1002BN102-17	1462TB103-8	685380 973148	971443	120HM101	1.50-12 UNF-2A THD	30°-50° 30°-50°
1002BN103-1	1202TB103-12	971895 971837	815326	816369 816367	1.50-18 UNEF-2A THD	46°-50° 41°-45°
1002BN103-2	1202TB103-12	971827 971829	815326	816369 816367	1.50-18 UNEF-2A THD	46°-50° 41°-45°
1002BN103-3	1202TB103-12	971893 971833	815326	816369 816367	1.50-18 UNEF-2A THD	46°-50° 41°-45°
1002BN103-4	1202TB103-9	971923 971837	815326	816369 816369	1.50-18 UNEF-2A THD	46°-50° 46°-50°
1002BN103-5	1202TB103-9	971927 971829	815326	816369 816369	1.50-18 UNEF-2A THD	46°-50° 46°-50°
1002BN103-6	1202TB103-9	971929 971833	815326	816369 816369	1.50-18 UNEF-2A THD	46°-50° 46°-50°
1002BN103-7	1202TB103-9	971931 971837	815326	816367 816367	1.50-18 UNEF-2A THD	41°-45° 41°-45°
1002BN103-8	1202TB103-9	971935 971839	815326	816367 816367	1.50-18 UNEF-2A THD	41°-45° 41°-45°
1002BN103-10	1202TB103-9	972114 972116	815326	816369 816369	1.50-18 UNEF-2A THD	46°-50° 46°-50°
1002BN103-11	1202TB103-9	972118 972120	815326	816369 816369	1.50-18 UNEF-2A THD	46°-50° 46°-50°
1002BN103-12	1202TB103-9	972122 972124	815326	816369 816369	1.50-18 UNEF-2A THD	46°-50° 46°-50°
1002BN103-13	1202TB103-12	972144 972116	815326	816369 816369	1.50-18 UNEF-2A THD	46°-50° 46°-50°
1002BN103-14	1202TB103-12	972148 972150	815326	816369 816369	1.50-18 UNEF-2A THD	46°-50° 46°-50°
1002BN103-15	1202TB103-12	972146 972124	815326	816369 816369	1.50-18 UNEF-2A THD	46°-50° 46°-50°
1002BN103-16	1202TB103-11	972154 972099	815326	816369 816369	1.50-18 UNEF-2A THD	46°-50° 46°-50°
1002BN103-18	1202TB103-14	972284 972286	815326	816369 816369	1.50-18 UNEF-2A THD	46°-50° 46°-50°
1002BN103-19	1202TB103-12	971907 971921	815326	816369 816367	1.50-18 UNEF-2A THD	46°-50° 41°-45°
1002BN103-20	1202TB103-12	971905 971919	815326	816369 816367	1.50-18 UNEF-2A THD	46°-50° 41°-45°

Axle Specifications E1002-E1202

STEER AXLE ASSEMBLY SPECIFICATION	I-BEAM SPECIFICATION	KNUCKLE ASSY LH ASSY RH	TIE ROD ASSY	STOP SCREW LH / RH	FRONT STEER SPINDLE NUT	TURN ANGLE LH / RH
1002BN103-21	1202TB103-12	972638 972640	815326	816369 816367	1.50-18 UNEF-2A THD	46°-50° 41°-45°
1002BN103-22	1202TB103-14	972689 972691	815326	816369 816369	1.50-18 UNEF-2A THD	46°-50° 46°-50°
1002BN103-23	1202TB103-9	971923 971837	815326	816369 816367	1.50-18 UNEF-2A THD	46°-50° 41°-45°
1002BN103-24	1202TB103-9	971927 971829	815326	816369 816367	1.50-18 UNEF-2A THD	46°-50° 41°-45°
1002BN103-25	1202TB103-9	971929 971833	815326	816369 816367	1.50-18 UNEF-2A THD	46°-50° 41°-45°
1002BN103-26	1202TB103-12	971933 971837	815326	816367 816367	1.50-18 UNEF-2A THD	41°-45° 41°-45°
1002BN103-27	1202TB103-12	971939 971839	815326	816367 816366	1.50-18 UNEF-2A THD	41°-45° 36°-40°
1002BN103-28	1202TB103-12	971935 971839	815326	816367 816366	1.50-18 UNEF-2A THD	41°-45° 36°-40°
1002BN103-29	1202TB103-12	971931 971837	815326	816367 816367	1.50-18 UNEF-2A THD	41°-45° 41°-45°
1002BN103-30	1202TB103-12	971937 971833	815326	816367 816366	1.50-18 UNEF-2A THD	41°-45° 36°-40°
1002BN103-31	1202TB103-12	971941 971833	815326	816367 816366	1.50-18 UNEF-2A THD	41°-45° 36°-40°
1002BN103-32	1202TB103-12	972910 972640	815326	816369 816369	1.50-18 UNEF-2A THD	46°-50° 46°-50°
1002BN103-33	1202TB103-12	972927 972939	815326	120HM101 120HM101	1.50-18 UNEF-2A THD	30°-50° 30°-50°
1002BN103-34	1202TB103-12	972926 972938	815326	120HM101 120HM101	1.50-18 UNEF-2A THD	30°-50° 30°-50°
1002BN103-35	1202TB103-12	972929 972939	815326	120HM101 120HM101	1.50-18 UNEF-2A THD	30°-50° 30°-50°
1002BN103-36	1202TB103-12	972930 972937	815326	120HM101 120HM101	1.50-18 UNEF-2A THD	30°-50° 30°-50°
1002BN103-37	1202TB103-12	972925 972938	815326	120HM101 120HM101	1.50-18 UNEF-2A THD	30°-50° 30°-50°
1002BN103-38	1202TB103-12	972928 972937	815326	120HM101 120HM101	1.50-18 UNEF-2A THD	30°-50° 30°-50°
1002BN103-39	1202TB103-17	972687 971845	815326	816366 816366	1.50-18 UNEF-2A THD	36°-40° 36°-40°
1002BN103-40	1202TB103-12	972950 972974	815326	120HM101 120HM101	1.50-18 UNEF-2A THD	30°-50° 30°-50°

Axle Specifications E1002-E1202

STEER AXLE ASSEMBLY SPECIFICATION	I-BEAM SPECIFICATION	KNUCKLE ASSY LH ASSY RH	TIE ROD ASSY	STOP SCREW LH / RH	FRONT STEER SPINDLE NUT	TURN ANGLE LH / RH
1002BN103-41	1202TB103-12	972948 972972	815326	120HM101 120HM101	1.50-18 UNEF-2A THD	30°-50° 30°-50°
1002BN103-42	1202TB103-12	972960 972976	815326	120HM101 120HM101	1.50-18 UNEF-2A THD	30°-50° 30°-50°
1002BN103-43	1202TB103-12	972944 972968	815326	120HM101 120HM101	1.50-18 UNEF-2A THD	30°-50° 30°-50°
1002BN103-44	1202TB103-12	972944 972972	815326	120HM101 120HM101	1.50-18 UNEF-2A THD	30°-50° 30°-50°
1002BN103-45	1202TB103-12	972952 972976	815326	120HM101 120HM101	1.50-18 UNEF-2A THD	30°-50° 30°-50°
1002BN103-46	1202TB103-12	972956 972968	815326	120HM101 120HM101	1.50-18 UNEF-2A THD	30°-50° 30°-50°
1002BN103-47	1202TB103-12	972946 972970	815326	120HM101 120HM101	1.50-18 UNEF-2A THD	30°-50° 30°-50°
1002BN103-48	1202TB103-12	972958 972974	815326	120HM101 120HM101	1.50-18 UNEF-2A THD	30°-50° 30°-50°
1002BN103-49	1202TB103-12	972962 972966	815326	120HM101 120HM101	1.50-18 UNEF-2A THD	30°-50° 30°-50°
1002BN103-50	1202TB103-12	972942 972970	815326	120HM101 120HM101	1.50-18 UNEF-2A THD	30°-50° 30°-50°
1002BN103-51	1202TB103-12	972954 972966	815326	120HM101 120HM101	1.50-18 UNEF-2A THD	30°-50° 30°-50°
1002BN103-52	1202TB103-18	971933 971837	815326	816367 816367	1.50-18 UNEF-2A THD	41°-45° 41°-45°
1002BN103-53	1202TB103-9	973374 973288	815326	120HM101 120HM101	1.50-18 UNEF-2A THD	30°-50° 30°-50°
1002BN103-54	1202TB103-9	973376 973420	815326	120HM101 120HM101	1.50-18 UNEF-2A THD	30°-50° 30°-50°
1002BN103-55	1202TB103-9	973378 973286	815326	120HM101 120HM101	1.50-18 UNEF-2A THD	30°-50° 30°-50°
1002BN103-56	1202TB103-12	973220 973288	815326	120HM101 120HM101	1.50-18 UNEF-2A THD	30°-50° 30°-50°
1002BN103-57	1202TB103-12	973226 973290	815326	120HM101 120HM101	1.50-18 UNEF-2A THD	30°-50° 30°-50°
1002BN103-58	1202TB103-12	973228 973286	815326	120HM101 120HM101	1.50-18 UNEF-2A THD	30°-50° 30°-50°
1002BN103-59	1202TB103-12	973218 973288	815326	120HM101 120HM101	1.50-18 UNEF-2A THD	30°-50° 30°-50°
1002BN103-60	1202TB103-12	973222 973290	815326	120HM101 120HM101	1.50-18 UNEF-2A THD	30°-50° 30°-50°

Axle Specifications E1002-E1202

STEER AXLE ASSEMBLY SPECIFICATION	I-BEAM SPECIFICATION	KNUCKLE ASSY LH ASSY RH	TIE ROD ASSY	STOP SCREW LH / RH	FRONT STEER SPINDLE NUT	TURN ANGLE LH / RH
1002BN103-61	1202TB103-12	973224 973286	815326	120HM101 120HM101	1.50-18 UNEF-2A THD	30°-50° 30°-50°
1002BN103-62	1202TB103-12	973298 973320	815326	120HM101 120HM101	1.50-18 UNEF-2A THD	30°-50° 30°-50°
1002BN103-63	1202TB103-12	973304 973322	815326	120HM101 120HM101	1.50-18 UNEF-2A THD	30°-50° 30°-50°
1002BN103-64	1202TB103-12	973306 973318	815326	120HM101 120HM101	1.50-18 UNEF-2A THD	30°-50° 30°-50°
1002BN103-65	1202TB103-12	973296 973320	815326	120HM101 120HM101	1.50-18 UNEF-2A THD	30°-50° 30°-50°
1002BN103-66	1202TB103-12	973300 973322	815326	120HM101 120HM101	1.50-18 UNEF-2A THD	30°-50° 30°-50°
1002BN103-67	1202TB103-12	973302 973318	815326	120HM101 120HM101	1.50-18 UNEF-2A THD	30°-50° 30°-50°
1002BN103-68	1202TB103-12	973326 973348	815326	120HM101 120HM101	1.50-18 UNEF-2A THD	30°-50° 30°-50°
1002BN103-69	1202TB103-12	973332 973350	815326	120HM101 120HM101	1.50-18 UNEF-2A THD	30°-50° 30°-50°
1002BN103-70	1202TB103-12	973334 973346	815326	120HM101 120HM101	1.50-18 UNEF-2A THD	30°-50° 30°-50°
1002BN103-71	1202TB103-12	973324 973348	815326	120HM101 120HM101	1.50-18 UNEF-2A THD	30°-50° 30°-50°
1002BN103-72	1202TB103-12	973328 973350	815326	120HM101 120HM101	1.50-18 UNEF-2A THD	30°-50° 30°-50°
1002BN103-73	1202TB103-12	973330 973346	815326	120HM101 120HM101	1.50-18 UNEF-2A THD	30°-50° 30°-50°
1202BN100-1	1202TB103-3	971677 971679	815326	120HM101	1.50-12 UNF-2A THD	30°-50° 30°-50°
1202BN100-2	1202TB103-2	971683 971685	815326	120HM101	1.50-12 UNF-2A THD	30°-50° 30°-50°
1202BN100-3	1202TB103-3	971687 971685	815326	120HM101	1.50-12 UNF-2A THD	30°-50° 30°-50°
1202BN100-4	1202TB103-3	971693 971695	815326	120HM101	1.50-12 UNF-2A THD	30°-50° 30°-50°
1202BN100-11	1202TB103-2	972525 971695	815326	120HM101	1.50-12 UNF-2A THD	30°-50° 30°-50°
1202BN100-12	1202TB103-2	971724 971679	815326	120HM101	1.50-12 UNF-2A THD	30°-50° 30°-50°
1202BN100-13	1202TB103-3	972525 971695	815326	120HM101	1.50-12 UNF-2A THD	30°-50° 30°-50°

Axle Specifications E1002-E1202

STEER AXLE ASSEMBLY SPECIFICATION	I-BEAM SPECIFICATION	KNUCKLE ASSY LH ASSY RH	TIE ROD ASSY	STOP SCREW LH / RH	FRONT STEER SPINDLE NUT	TURN ANGLE LH / RH
1202BN100-14	1202TB103-3	971683 971685	815326	120HM101	1.50-12 UNF-2A THD	30°-50° 30°-50°
1202BN100-15	1202TB103-3	971724 971679	815326	120HM101	1.50-12 UNF-2A THD	30°-50° 30°-50°
1202BN100-16	1202TB103-4	971724 971679	815326	120HM101	1.50-12 UNF-2A THD	30°-50° 30°-50°
1202BN100-17	1202TB103-4	971683 971685	815326	120HM101	1.50-12 UNF-2A THD	30°-50° 30°-50°
1202BN100-18	1202TB103-3	972644 971695	815326	120HM101	1.50-12 UNF-2A THD	30°-50° 30°-50°
1202BN100-19	1202TB103-3	972768 971685	815326	120HM101	1.50-12 UNF-2A THD	30°-50° 30°-50°
1202BN100-20	1202TB103-3	973102 973144	815326	120HM101	1.50-12 UNF-2A THD	30°-50° 30°-50°
1202BN100-21	1202TB103-3	973108 973146	815326	120HM101	1.50-12 UNF-2A THD	30°-50° 30°-50°
1202BN100-22	1202TB103-3	973110 973148	815326	120HM101	1.50-12 UNF-2A THD	30°-50° 30°-50°
1202BN100-23	1202TB103-3	973114 973148	815326	120HM101	1.50-12 UNF-2A THD	30°-50° 30°-50°
1202BN100-24	1202TB103-3	973106 973146	815326	120HM101	1.50-12 UNF-2A THD	30°-50° 30°-50°
1202BN100-25	1202TB103-3	973112 973144	815326	120HM101	1.50-12 UNF-2A THD	30°-50° 30°-50°
1202BN100-26	1202TB103-3	973116 973148	815326	120HM101	1.50-12 UNF-2A THD	30°-50° 30°-50°
1202BN100-27	1202TB103-3	973134 973146	815326	120HM101	1.50-12 UNF-2A THD	30°-50° 30°-50°
1202BN100-28	1202TB103-4	971724 971679	815326	120HM101	1.50-12 UNF-2A THD	30°-50° 30°-50°
1202BN100-29	1202TB103-4	972525 971695	815326	120HM101	1.50-12 UNF-2A THD	30°-50° 30°-50°
1202BN100-30	1202TB103-4	972525 971695	815326	120HM101	1.50-12 UNF-2A THD	30°-50° 30°-50°
1202BN100-32	1202TB103-4	685354 971679	815326	120HM101	1.50-12 UNF-2A THD	30°-50° 30°-50°
1202BN100-33	1202TB103-4	973114 973148	815326	120HM101	1.50-12 UNF-2A THD	30°-50° 30°-50°
1202BN100-34	1202TB103-4	973112 973144	815326	120HM101	1.50-12 UNF-2A THD	30°-50° 30°-50°

Axle Specifications E1002-E1202

STEER AXLE ASSEMBLY SPECIFICATION	I-BEAM SPECIFICATION	KNUCKLE ASSY LH ASSY RH	TIE ROD ASSY	STOP SCREW LH / RH	FRONT STEER SPINDLE NUT	TURN ANGLE LH / RH
1202BN100-35	1202TB103-4	973114 973148	815326	120HM101	1.50-12 UNF-2A THD	30°-50° 30°-50°
1202BN100-36	1202TB103-4	973112 973144	815326	120HM101	1.50-12 UNF-2A THD	30°-50° 30°-50°
1202BN100-37	1202TB103-4	973106 973146	815326	120HM101	1.50-12 UNF-2A THD	30°-50° 30°-50°
1202BN101-1	1202TB104-8	971827 971829	971443	816370 816370	1.50-18 UNEF-2A THD	51°-55° 51°-55°
1202BN101-2	1202TB104-3	971889 971839	971443	816366 816367	1.50-18 UNEF-2A THD	36°-40° 41°-45°
1202BN101-3	1202TB104-8	971895 971837	971443	816367 816367	1.50-18 UNEF-2A THD	41°-45° 41°-45°
1202BN101-4	1202TB104-8	971827 971829	971443	816367 816367	1.50-18 UNEF-2A THD	41°-45° 41°-45°
1202BN101-5	1202TB104-8	971893 971833	971443	816367 816367	1.50-18 UNEF-2A THD	41°-45° 41°-45°
1202BN101-6	1202TB104-3	971865 971833	971443	816366 816367	1.50-18 UNEF-2A THD	36°-40° 41°-45°
1202BN101-7	1202TB104-3	971861 971847	971443	816366 816367	1.50-18 UNEF-2A THD	36°-40° 41°-45°
1202BN101-8	1202TB104-5	972171 972173	971443	816369 816369	1.50-18 UNEF-2A THD	46°-50° 46°-50°
1202BN101-9	1202TB104-6	972171 972173	971443	816369 816369	1.50-18 UNEF-2A THD	46°-50° 46°-50°
1202BN101-11	1202TB104-3	971863 971837	971443	816366 816367	1.50-18 UNEF-2A THD	36°-40° 41°-45°
1202BN101-12	1202TB104-8	972431 972433	971443	816369 816369	1.50-18 UNEF-2A THD	46°-50° 46°-50°
1202BN101-13	1202TB104-8	972435 972437	971443	816369 816369	1.50-18 UNEF-2A THD	46°-50° 46°-50°
1202BN101-14	1202TB104-8	972166 972168	971443	816369 816369	1.50-18 UNEF-2A THD	46°-50° 46°-50°
1202BN101-15	1202TB104-7	972466 972433	971443	816369 816369	1.50-18 UNEF-2A THD	46°-50° 46°-50°
1202BN101-16	1202TB104-7	972470 972433	971443	816369 816369	1.50-18 UNEF-2A THD	46°-50° 46°-50°
1202BN101-17	1202TB104-7	972312 972314	971443	816369 816369	1.50-18 UNEF-2A THD	46°-50° 46°-50°
1202BN101-18	1202TB104-7	972472 972314	971443	816369 816369	1.50-18 UNEF-2A THD	46°-50° 46°-50°

Axle Specifications E1002-E1202

STEER AXLE ASSEMBLY SPECIFICATION	I-BEAM SPECIFICATION	KNUCKLE ASSY LH ASSY RH	TIE ROD ASSY	STOP SCREW LH / RH	FRONT STEER SPINDLE NUT	TURN ANGLE LH / RH
1202BN101-19	1202TB104-7	972468 972437	971443	816369 816369	1.50-18 UNEF-2A THD	46°-50° 46°-50°
1202BN101-20	1202TB104-7	972474 972437	971443	816369 816369	1.50-18 UNEF-2A THD	46°-50° 46°-50°
1202BN101-22	1202TB104-8	972470 972433	971443	816369 816369	1.50-18 UNEF-2A THD	46°-50° 46°-50°
1202BN101-24	1202TB104-8	972472 972314	971443	816369 816369	1.50-18 UNEF-2A THD	46°-50° 46°-50°
1202BN101-25	1202TB104-8	972468 972437	971443	816369 816369	1.50-18 UNEF-2A THD	46°-50° 46°-50°
1202BN101-26	1202TB104-8	972474 972437	971443	816369 816369	1.50-18 UNEF-2A THD	46°-50° 46°-50°
1202BN101-27	1202TB104-7	971931 971837	971443	816369 816369	1.50-18 UNEF-2A THD	46°-50° 46°-50°
1202BN101-28	1202TB104-7	971935 971839	971443	816369 816369	1.50-18 UNEF-2A THD	46°-50° 46°-50°
1202BN101-29	1202TB104-7	971937 971833	971443	816366 816367	1.50-18 UNEF-2A THD	46°-50° 46°-50°
1202BN101-30	1202TB104-7	971933 971837	971443	816369 816369	1.50-18 UNEF-2A THD	46°-50° 46°-50°
1202BN101-31	1202TB104-7	971939 971839	971443	816369 816369	1.50-18 UNEF-2A THD	46°-50° 46°-50°
1202BN101-32	1202TB104-7	971941 971833	971443	816369 816369	1.50-18 UNEF-2A THD	46°-50° 46°-50°
1202BN101-33	1202TB104-8	971931 971837	971443	816367 816367	1.50-18 UNEF-2A THD	41°-45° 41°-45°
1202BN101-34	1202TB104-8	971935 971839	971443	816367 816367	1.50-18 UNEF-2A THD	41°-45° 41°-45°
1202BN101-35	1202TB104-8	971937 971833	971443	816367 816367	1.50-18 UNEF-2A THD	41°-45° 41°-45°
1202BN101-36	1202TB104-8	971933 971837	971443	816367 816367	1.50-18 UNEF-2A THD	41°-45° 41°-45°
1202BN101-37	1202TB104-8	971939 971839	971443	816367 816367	1.50-18 UNEF-2A THD	41°-45° 41°-45°
1202BN101-38	1202TB104-8	971941 971833	971443	816367 816367	1.50-18 UNEF-2A THD	41°-45° 41°-45°
1202BN101-39	1202TB104-7	971943 971945	971443	816369 816369	1.50-18 UNEF-2A THD	46°-50° 46°-50°
1202BN101-40	1202TB104-7	971947 971949	971443	816369 816369	1.50-18 UNEF-2A THD	46°-50° 46°-50°

Axle Specifications E1002-E1202

STEER AXLE ASSEMBLY SPECIFICATION	I-BEAM SPECIFICATION	KNUCKLE ASSY LH ASSY RH	TIE ROD ASSY	STOP SCREW LH / RH	FRONT STEER SPINDLE NUT	TURN ANGLE LH / RH
1202BN101-41	1202TB104-7	971952 971954	971443	816369 816369	1.50-18 UNEF-2A THD	46°-50° 46°-50°
1202BN101-42	1202TB104-8	971943 971945	971443	816369 816369	1.50-18 UNEF-2A THD	46°-50° 46°-50°
1202BN101-43	1202TB104-8	971947 971949	971443	816369 816369	1.50-18 UNEF-2A THD	46°-50° 46°-50°
1202BN101-44	1202TB104-8	971952 971954	971443	816369 816369	1.50-18 UNEF-2A THD	46°-50° 46°-50°
1202BN101-45	1202TB104-9	972177 971839	971443	816369 816369	1.50-18 UNEF-2A THD	46°-50° 46°-50°
1202BN101-47	1202TB104-9	972181 971845	971443	816369 816369	1.50-18 UNEF-2A THD	46°-50° 46°-50°
1202BN101-48	1202TB104-9	972183 971847	971443	816369 816369	1.50-18 UNEF-2A THD	46°-50° 46°-50°
1202BN101-49	1202TB104-9	972185 971829	971443	816369 816369	1.50-18 UNEF-2A THD	46°-50° 46°-50°
1202BN101-50	1202TB104-9	972187 971833	971443	816369 816369	1.50-18 UNEF-2A THD	46°-50° 46°-50°
1202BN101-51	1202TB104-9	972189 971839	971443	816369 816369	1.50-18 UNEF-2A THD	46°-50° 46°-50°
1202BN101-52	1202TB104-9	972191 971837	971443	816369 816369	1.50-18 UNEF-2A THD	46°-50° 46°-50°
1202BN101-53	1202TB104-9	972193 971845	971443	816369 816369	1.50-18 UNEF-2A THD	46°-50° 46°-50°
1202BN101-54	1202TB104-9	972195 971847	971443	816369 816369	1.50-18 UNEF-2A THD	46°-50° 46°-50°
1202BN101-55	1202TB104-9	972197 971829	971443	816369 816369	1.50-18 UNEF-2A THD	46°-50° 46°-50°
1202BN101-56	1202TB104-9	972199 971833	971443	816369 816369	1.50-18 UNEF-2A THD	46°-50° 46°-50°
1202BN101-57	1202TB104-8	971939 971839	971443	816369 816369	1.50-18 UNEF-2A THD	46°-50° 46°-50°
1202BN101-58	1202TB104-10	972171 972173	971443	816369 816369	1.50-18 UNEF-2A THD	46°-50° 46°-50°
1202BN101-59	1202TB104-8	971937 971833	971443	816369 816369	1.50-18 UNEF-2A THD	46°-50° 46°-50°
1202BN101-60 RH STEER	1202TB104-11	972632 972634	971443	816369 816369	1.50-18 UNEF-2A THD	46°-50° 46°-50°
1202BN101-61	1202TB104-8	971827 971829	971443	816369 816369	1.50-18 UNEF-2A THD	46°-50° 46°-50°

Axle Specifications E1002-E1202

STEER AXLE ASSEMBLY SPECIFICATION	I-BEAM SPECIFICATION	KNUCKLE ASSY LH ASSY RH	TIE ROD ASSY	STOP SCREW LH / RH	FRONT STEER SPINDLE NUT	TURN ANGLE LH / RH
1202BN101-62	1202TB104-7	971931 971837	971443	816369 816369	1.50-18 UNEF-2A THD	46°-50° 46°-50°
1202BN101-63	1202TB104-7	971935 971839	971443	816369 816369	1.50-18 UNEF-2A THD	46°-50° 46°-50°
1202BN101-64	1202TB104-7	971937 971833	971443	816369 816369	1.50-18 UNEF-2A THD	46°-50° 46°-50°
1202BN101-65	1202TB104-7	971933 971837	971443	816369 816369	1.50-18 UNEF-2A THD	46°-50° 46°-50°
1202BN101-66	1202TB104-7	971939 971839	971443	816369 816369	1.50-18 UNEF-2A THD	46°-50° 46°-50°
1202BN101-67	1202TB104-7	971941 971833	971443	816369 816369	1.50-18 UNEF-2A THD	46°-50° 46°-50°
1202BN101-68	1202TB104-9	972211 971833	971443	816369 816369	1.50-18 UNEF-2A THD	46°-50° 46°-50°
1202BN101-69	1202TB104-8	972832 971837	971443	816367 816367	1.50-18 UNEF-2A THD	41°-45° 41°-45°
1202BN101-70	1202TB104-8	972834 971839	971443	816367 816367	1.50-18 UNEF-2A THD	41°-45° 41°-45°
1202BN101-71	1202TB104-8	972836 971833	971443	816367 816367	1.50-18 UNEF-2A THD	41°-45° 41°-45°
1202BN101-72	1202TB104-8	972838 971837	971443	816367 816367	1.50-18 UNEF-2A THD	41°-45° 41°-45°
1202BN101-73	1202TB104-8	972840 971839	971443	816367 816367	1.50-18 UNEF-2A THD	41°-45° 41°-45°
1202BN101-74	1202TB104-8	972842 971833	971443	816367 816367	1.50-18 UNEF-2A THD	41°-45° 41°-45°
1202BN101-75	1202TB104-13	972897 972173	971443	816369 816369	1.50-18 UNEF-2A THD	46°-50° 46°-50°
1202BN101-76	1202TB104-9	972179 971837	971443	816369 816369	1.50-18 UNEF-2A THD	46°-50° 46°-50°
1202BN101-77	1202TB104-10	972914 972915	971443	816369 816369	1.50-18 UNEF-2A THD	46°-50° 46°-50°
1202BN101-78	1202TB104-14	972918 972919	-	816369 816369	1.50-18 UNEF-2A THD	46°-50° 46°-50°
1202BN101-79	1202TB104-8	972928 972937	971443	120HM101 120HM101	1.50-18 UNEF-2A THD	30°-50° 30°-50°
1202BN101-80	1202TB104-8	972926 972938	971443	120HM101 120HM101	1.50-18 UNEF-2A THD	30°-50° 30°-50°
1202BN101-81	1202TB104-8	972929 972939	971443	120HM101 120HM101	1.50-18 UNEF-2A THD	30°-50° 30°-50°

Axle Specifications E1002-E1202

STEER AXLE ASSEMBLY SPECIFICATION	I-BEAM SPECIFICATION	KNUCKLE ASSY LH ASSY RH	TIE ROD ASSY	STOP SCREW LH / RH	FRONT STEER SPINDLE NUT	TURN ANGLE LH / RH
1202BN101-82	1202TB104-8	972930 972937	971443	120HM101 120HM101	1.50-18 UNEF-2A THD	30°-50° 30°-50°
1202BN101-83	1202TB104-8	972925 972938	971443	120HM101 120HM101	1.50-18 UNEF-2A THD	30°-50° 30°-50°
1202BN101-84	1202TB104-8	972927 972939	971443	120HM101 120HM101	1.50-18 UNEF-2A THD	30°-50° 30°-50°
1202BN101-85	1202TB104-8	973010 973026	971443	120HM101 120HM101	1.50-18 UNEF-2A THD	30°-50° 30°-50°
1202BN101-86	1202TB104-8	973011 973027	971443	120HM101 120HM101	1.50-18 UNEF-2A THD	30°-50° 30°-50°
1202BN101-87	1202TB104-8	973012 973025	971443	120HM101 120HM101	1.50-18 UNEF-2A THD	30°-50° 30°-50°
1202BN101-88	1202TB104-8	973038 973054	971443	120HM101 120HM101	1.50-18 UNEF-2A THD	30°-50° 30°-50°
1202BN101-89	1202TB104-8	973039 973055	971443	120HM101 120HM101	1.50-18 UNEF-2A THD	30°-50° 30°-50°
1202BN101-90	1202TB104-8	973040 973053	971443	120HM101 120HM101	1.50-18 UNEF-2A THD	30°-50° 30°-50°
1202BN101-91	1202TB104-8	971935 971839	971443	816367 816367	1.50-18 UNEF-2A THD	41°-45° 41°-45°
1202BN101-92	1202TB104-8	971937 971833	971443	816367 816367	1.50-18 UNEF-2A THD	41°-45° 41°-45°
1202BN101-93	1202TB104-8	971931 971837	971443	816367 816367	1.50-18 UNEF-2A THD	41°-45° 41°-45°
1202BN101-94	1202TB104-8	972838 971837	971443	816367 816367	1.50-18 UNEF-2A THD	41°-45° 41°-45°
1202BN101-95	1202TB104-8	972840 971839	971443	816367 816367	1.50-18 UNEF-2A THD	41°-45° 41°-45°
1202BN101-96	1202TB104-8	972842 971833	971443	816367 816367	1.50-18 UNEF-2A THD	41°-45° 41°-45°
1202BN101-97	1202TB104-7	973222 973290	971443	120HM101 120HM101	1.50-18 UNEF-2A THD	30°-50° 30°-50°
1202BN101-98	1202TB104-7	973224 973286	971443	120HM101 120HM101	1.50-18 UNEF-2A THD	30°-50° 30°-50°
1202BN101-99	1202TB104-7	973220 973288	971443	120HM101 120HM101	1.50-18 UNEF-2A THD	30°-50° 30°-50°
1202BN101-100	1202TB104-7	973226 973290	971443	120HM101 120HM101	1.50-18 UNEF-2A THD	30°-50° 30°-50°
1202BN101-101	1202TB104-7	973228 973286	971443	120HM101 120HM101	1.50-18 UNEF-2A THD	30°-50° 30°-50°

Axle Specifications E1002-E1202

STEER AXLE ASSEMBLY SPECIFICATION	I-BEAM SPECIFICATION	KNUCKLE ASSY LH ASSY RH	TIE ROD ASSY	STOP SCREW LH / RH	FRONT STEER SPINDLE NUT	TURN ANGLE LH / RH
1202BN101-102	1202TB104-8	973222 973290	971443	120HM101 120HM101	1.50-18 UNEF-2A THD	30°-50° 30°-50°
1202BN101-103	1202TB104-8	973224 973286	971443	120HM101 120HM101	1.50-18 UNEF-2A THD	30°-50° 30°-50°
1202BN101-104	1202TB104-8	973218 973288	971443	120HM101 120HM101	1.50-18 UNEF-2A THD	30°-50° 30°-50°
1202BN101-105	1202TB104-8	973392 973288	971443	120HM101 120HM101	1.50-18 UNEF-2A THD	30°-50° 30°-50°
1202BN101-106	1202TB104-8	973394 973290	971443	120HM101 120HM101	1.50-18 UNEF-2A THD	30°-50° 30°-50°
1202BN101-107	1202TB104-8	973396 973286	971443	120HM101 120HM101	1.50-18 UNEF-2A THD	30°-50° 30°-50°
1202BN101-108	1202TB104-8	973220 973288	971443	120HM101 120HM101	1.50-18 UNEF-2A THD	30°-50° 30°-50°
1202BN101-109	1202TB104-8	973226 973290	971443	120HM101 120HM101	1.50-18 UNEF-2A THD	30°-50° 30°-50°
1202BN101-110	1202TB104-8	973228 973286	971443	120HM101 120HM101	1.50-18 UNEF-2A THD	30°-50° 30°-50°
1202BN101-111	1202TB104-8	973218 973288	971443	120HM101 120HM101	1.50-18 UNEF-2A THD	30°-50° 30°-50°
1202BN101-112	1202TB104-8	973222 973290	971443	120HM101 120HM101	1.50-18 UNEF-2A THD	30°-50° 30°-50°
1202BN101-113	1202TB104-8	973224 973286	971443	120HM101 120HM101	1.50-18 UNEF-2A THD	30°-50° 30°-50°
1202BN101-114	1202TB104-8	973242 973288	971443	120HM101 120HM101	1.50-18 UNEF-2A THD	30°-50° 30°-50°
1202BN101-115	1202TB104-8	973244 973290	971443	120HM101 120HM101	1.50-18 UNEF-2A THD	30°-50° 30°-50°
1202BN101-116	1202TB104-8	973246 973286	971443	120HM101 120HM101	1.50-18 UNEF-2A THD	30°-50° 30°-50°
1202BN101-117	1202TB104-8	973254 973288	971443	120HM101 120HM101	1.50-18 UNEF-2A THD	30°-50° 30°-50°
1202BN101-118	1202TB104-8	973256 973290	971443	120HM101 120HM101	1.50-18 UNEF-2A THD	30°-50° 30°-50°
1202BN101-119	1202TB104-8	973258 973286	971443	120HM101 120HM101	1.50-18 UNEF-2A THD	30°-50° 30°-50°
1202BN101-120	1202TB104-8	973308 973320	971443	120HM101 120HM101	1.50-18 UNEF-2A THD	30°-50° 30°-50°
1202BN101-121	1202TB104-8	973310 973322	971443	120HM101 120HM101	1.50-18 UNEF-2A THD	30°-50° 30°-50°

Axle Specifications E1002-E1202

STEER AXLE ASSEMBLY SPECIFICATION	I-BEAM SPECIFICATION	KNUCKLE ASSY LH ASSY RH	TIE ROD ASSY	STOP SCREW LH / RH	FRONT STEER SPINDLE NUT	TURN ANGLE LH / RH
1202BN101-122	1202TB104-8	973312 973318	971443	120HM101 120HM101	1.50-18 UNEF-2A THD	30°-50° 30°-50°
1202BN101-123	1202TB104-8	973296 973320	971443	120HM101 120HM101	1.50-18 UNEF-2A THD	30°-50° 30°-50°
1202BN101-124	1202TB104-8	973300 973322	971443	120HM101 120HM101	1.50-18 UNEF-2A THD	30°-50° 30°-50°
1202BN101-125	1202TB104-8	973302 973318	971443	120HM101 120HM101	1.50-18 UNEF-2A THD	30°-50° 30°-50°
1202BN101-126	1202TB104-8	973336 973348	971443	120HM101 120HM101	1.50-18 UNEF-2A THD	30°-50° 30°-50°
1202BN101-127	1202TB104-8	973338 973350	971443	120HM101 120HM101	1.50-18 UNEF-2A THD	30°-50° 30°-50°
1202BN101-128	1202TB104-8	973340 973346	971443	120HM101 120HM101	1.50-18 UNEF-2A THD	30°-50° 30°-50°
1202BN101-129	1202TB104-8	973324 973348	971443	120HM101 120HM101	1.50-18 UNEF-2A THD	30°-50° 30°-50°
1202BN101-130	1202TB104-8	973328 973350	971443	120HM101 120HM101	1.50-18 UNEF-2A THD	30°-50° 30°-50°
1202BN101-131	1202TB104-8	973330 973346	971443	120HM101 120HM101	1.50-18 UNEF-2A THD	30°-50° 30°-50°
1202BN101-132	1202TB104-8	973224 973286	971443	120HM101 120HM101	1.50-18 UNEF-2A THD	30°-50° 30°-50°
1202BN101-133	1202TB104-8	973222 973290	971443	120HM101 120HM101	1.50-18 UNEF-2A THD	30°-50° 30°-50°
1202BN101-134	1202TB104-8	973218 973288	971443	120HM101 120HM101	1.50-18 UNEF-2A THD	30°-50° 30°-50°
1202BN101-135	1202TB104-8	685222 973288	971443	120HM101 120HM101	1.50-18 UNEF-2A THD	30°-50° 30°-50°
1202BN101-136	1202TB104-8	685224 973290	971443	120HM101 120HM101	1.50-18 UNEF-2A THD	30°-50° 30°-50°
1202BN101-137	1202TB104-8	685226 973286	971443	120HM101 120HM101	1.50-18 UNEF-2A THD	30°-50° 30°-50°
1202BN101-138	1202TB104-8	973392 973288	971443	120HM101 120HM101	1.50-18 UNEF-2A THD	30°-50° 30°-50°
1202BN101-139	1202TB104-8	973394 973290	971443	120HM101 120HM101	1.50-18 UNEF-2A THD	30°-50° 30°-50°
1202BN101-140	1202TB104-8	973396 973286	971443	120HM101 120HM101	1.50-18 UNEF-2A THD	30°-50° 30°-50°
1202BN101-141	1202TB104-8	973242 973288	971443	120HM101 120HM101	1.50-18 UNEF-2A THD	30°-50° 30°-50°

Axle Specifications E1002-E1202

STEER AXLE ASSEMBLY SPECIFICATION	I-BEAM SPECIFICATION	KNUCKLE ASSY LH ASSY RH	TIE ROD ASSY	STOP SCREW LH / RH	FRONT STEER SPINDLE NUT	TURN ANGLE LH / RH
1202BN101-142	1202TB104-8	973244 973290	971443	120HM101 120HM101	1.50-18 UNEF-2A THD	30°-50° 30°-50°
1202BN101-143	1202TB104-8	973246 973286	971443	120HM101 120HM101	1.50-18 UNEF-2A THD	30°-50° 30°-50°
1202BN101-144	1202TB104-8	973254 973288	971443	120HM101 120HM101	1.50-18 UNEF-2A THD	30°-50° 30°-50°
1202BN101-145	1202TB104-8	973256 973290	971443	120HM101 120HM101	1.50-18 UNEF-2A THD	30°-50° 30°-50°
1202BN101-146	1202TB104-8	973258 973286	971443	120HM101 120HM101	1.50-18 UNEF-2A THD	30°-50° 30°-50°
1202BN101-147	1202TB104-9	973162 973178	971443	816369 816369	1.50-18 UNEF-2A THD	46°-50° 46°-50°
1202BN102-1	1202TB105-3	971677 971679	971443	120HM101	1.50-12 UNF-2A THD	30°-50° 30°-50°
1202BN102-2	1202TB105-2	971683 971685	971443	120HM101	1.50-12 UNF-2A THD	30°-50° 30°-50°
1202BN102-3	1202TB105-3	971693 971695	971443	120HM101	1.50-12 UNF-2A THD	30°-50° 30°-50°
1202BN102-4	1202TB105-3	971681 971679	971443	120HM101	1.50-12 UNF-2A THD	30°-50° 30°-50°
1202BN102-12	1202TB105-2	972525 971695	971443	120HM101	1.50-12 UNF-2A THD	30°-50° 30°-50°
1202BN102-13	1202TB105-7	972227 972248	971443	120HM101	1.50-18 UNEF-2A THD	30°-50° 30°-50°
1202BN102-14	1202TB105-7	972537 972489	971443	120HM101	1.50-18 UNEF-2A THD	30°-50° 30°-50°
1202BN102-15	1202TB105-7	971990 972248	971443	120HM101	1.50-18 UNEF-2A THD	30°-50° 30°-50°
1202BN102-16	1202TB105-2	971724 971679	971443	120HM101	1.50-12 UNF-2A THD	30°-50° 30°-50°
1202BN102-17	1202TB105-7	972512 972246	971443	120HM101	1.50-18 UNEF-2A THD	30°-50° 30°-50°
1202BN102-18	1202TB105-7	972581 972260	971443	120HM101	1.50-18 UNEF-2A THD	30°-50° 30°-50°
1202BN102-19	1202TB105-3	972644 971695	971443	120HM101	1.50-12 UNF-2A THD	30°-50° 30°-50°
1202BN102-20	1202TB105-3	972646 971679	971443	120HM101	1.50-12 UNF-2A THD	30°-50° 30°-50°
1202BN102-21	1202TB105-7	971986 972246	971443	120HM101	1.50-18 UNEF-2A THD	30°-50° 30°-50°

Axle Specifications E1002-E1202

STEER AXLE ASSEMBLY SPECIFICATION	I-BEAM SPECIFICATION	KNUCKLE ASSY LH ASSY RH	TIE ROD ASSY	STOP SCREW LH / RH	FRONT STEER SPINDLE NUT	TURN ANGLE LH / RH
1202BN102-22	1202TB105-3	972525 971695	971443	120HM101	1.50-12 UNF-2A THD	30°-50° 30°-50°
1202BN102-23	1202TB105-3	971683 971685	971443	120HM101	1.50-12 UNF-2A THD	30°-50° 30°-50°
1202BN102-24	1202TB105-3	971724 971679	971443	120HM101	1.50-12 UNF-2A THD	30°-50° 30°-50°
1202BN102-25	1202TB105-3	972758 971679	971443	120HM101	1.50-12 UNF-2A THD	30°-50° 30°-50°
1202BN102-26	1202TB105-3	972760 971695	971443	120HM101	1.50-12 UNF-2A THD	30°-50° 30°-50°
1202BN102-27	1202TB105-7	972766 972489	971443	120HM101	1.50-18 UNEF-2A THD	30°-50° 30°-50°
1202BN102-29	1202TB105-3	972644 971695	971443	120HM101	1.50-12 UNF-2A THD	30°-50° 30°-50°
1202BN102-30	1202TB105-3	972646 971679	971443	120HM101	1.50-12 UNF-2A THD	30°-50° 30°-50°
1202BN102-31	1202TB105-7	972815 972246	971443	120HM101	1.50-18 UNEF-2A THD	30°-50° 30°-50°
1202BN102-32	1462TB103-8	972880 971695	971443	120HM101	1.50-12 UNF-2A THD	30°-50° 30°-50°
1202BN102-33	1462TB103-8	972888 971685	971443	120HM101	1.50-12 UNF-2A THD	30°-50° 30°-50°
1202BN102-34	1462TB103-8	972880 971695	971443	120HM101	1.50-12 UNF-2A THD	30°-50° 30°-50°
1202BN102-35	1462TB103-8	972888 971685	971443	120HM101	1.50-12 UNF-2A THD	30°-50° 30°-50°
1202BN102-36	1202TB105-3	972525 971695	971443	120HM101	1.50-12 UNF-2A THD	30°-50° 30°-50°
1202BN102-37	1202TB105-3	971683 971685	971443	120HM101	1.50-12 UNF-2A THD	30°-50° 30°-50°
1202BN102-38	1202TB105-3	971724 971679	971443	120HM101	1.50-12 UNF-2A THD	30°-50° 30°-50°
1202BN102-39	1202TB105-9	972537 972489	971443	120HM101	1.50-18 UNEF-2A THD	30°-50° 30°-50°
1202BN102-40	1202TB105-9	971990 972248	971443	120HM101	1.50-18 UNEF-2A THD	30°-50° 30°-50°
1202BN102-41	1202TB105-9	971986 972246	971443	120HM101	1.50-18 UNEF-2A THD	30°-50° 30°-50°
1202BN102-42	1202TB105-9	972766 972489	971443	120HM101	1.50-18 UNEF-2A THD	30°-50° 30°-50°

Axle Specifications E1002-E1202

STEER AXLE ASSEMBLY SPECIFICATION	I-BEAM SPECIFICATION	KNUCKLE ASSY LH ASSY RH	TIE ROD ASSY	STOP SCREW LH / RH	FRONT STEER SPINDLE NUT	TURN ANGLE LH / RH
1202BN102-43	1202TB105-9	972227 972248	971443	120HM101	1.50-18 UNEF-2A THD	30°-50° 30°-50°
1202BN102-44	1202TB105-7	973068 973065	971443	120HM101	1.50-18 UNEF-2A THD	30°-50° 30°-50°
1202BN102-45	1202TB105-7	973067 973064	971443	120HM101	1.50-18 UNEF-2A THD	30°-50° 30°-50°
1202BN102-46	1202TB105-7	973066 973063	971443	120HM101	1.50-18 UNEF-2A THD	30°-50° 30°-50°
1202BN102-47	1202TB105-3	973102 973144	971443	120HM101	1.50-12 UNF-2A THD	30°-50° 30°-50°
1202BN102-48	1202TB105-3	973110 973148	971443	120HM101	1.50-12 UNF-2A THD	30°-50° 30°-50°
1202BN102-49	1202TB105-3	973104 973144	971443	120HM101	1.50-12 UNF-2A THD	30°-50° 30°-50°
1202BN102-50	1202TB105-2	973114 973148	971443	120HM101	1.50-12 UNF-2A THD	30°-50° 30°-50°
1202BN102-51	1202TB105-3	973116 973148	971443	120HM101	1.50-12 UNF-2A THD	30°-50° 30°-50°
1202BN102-52	1202TB105-3	973118 973144	971443	120HM101	1.50-12 UNF-2A THD	30°-50° 30°-50°
1202BN102-53	1202TB105-3	973114 973148	971443	120HM101	1.50-12 UNF-2A THD	30°-50° 30°-50°
1202BN102-54	1202TB105-3	973106 973146	971443	120HM101	1.50-12 UNF-2A THD	30°-50° 30°-50°
1202BN102-55	1202TB105-3	973112 973144	971443	120HM101	1.50-12 UNF-2A THD	30°-50° 30°-50°
1202BN102-56	1202TB105-3	973126 973144	971443	120HM101	1.50-12 UNF-2A THD	30°-50° 30°-50°
1202BN102-57	1202TB105-3	973128 973148	971443	120HM101	1.50-12 UNF-2A THD	30°-50° 30°-50°
1202BN102-58	1202TB105-3	973116 973148	971443	120HM101	1.50-12 UNF-2A THD	30°-50° 30°-50°
1202BN102-59	1202TB105-3	973118 973144	971443	120HM101	1.50-12 UNF-2A THD	30°-50° 30°-50°
1202BN102-60	1202TB105-3	973114 973148	971443	120HM101	1.50-12 UNF-2A THD	30°-50° 30°-50°
1202BN102-61	1202TB105-3	973106 973146	971443	120HM101	1.50-12 UNF-2A THD	30°-50° 30°-50°
1202BN102-62	1202TB105-3	973112 973144	971443	120HM101	1.50-12 UNF-2A THD	30°-50° 30°-50°

Axle Specifications E1002-E1202

STEER AXLE ASSEMBLY SPECIFICATION	I-BEAM SPECIFICATION	KNUCKLE ASSY LH ASSY RH	TIE ROD ASSY	STOP SCREW LH / RH	FRONT STEER SPINDLE NUT	TURN ANGLE LH / RH
1202BN102-63	1202TB105-9	973424 973288	971443	120HM101	1.50-18 UNEF-2A THD	30°-50° 30°-50°
1202BN102-64	1202TB105-9	973426 973286	971443	120HM101	1.50-18 UNEF-2A THD	30°-50° 30°-50°
1202BN102-65	1202TB105-9	973458 973420	971443	120HM101	1.50-18 UNEF-2A THD	30°-50° 30°-50°
1202BN102-66 DUAL STEER	1202TB105-10	973200 973202	971443	816369 816369	1.50-18 UNEF-2A THD	46°-50° 46°-50°
1202BN102-67	1202TB105-9	973472 973286	971443	120HM101	1.50-18 UNEF-2A THD	30°-50° 30°-50°
1202BN102-68	1202TB105-9	973488 973420	971443	120HM101	1.50-18 UNEF-2A THD	30°-50° 30°-50°
1202BN102-69	1202TB105-9	973470 973288	971443	120HM101	1.50-18 UNEF-2A THD	30°-50° 30°-50°
1202BN102-70	1202TB105-9	973440 973446	971443	120HM101	1.50-18 UNEF-2A THD	30°-50° 30°-50°
1202BN102-71	1202TB105-10	973200 685264	971443	816369 816369	1.50-18 UNEF-2A THD	46°-50° 46°-50°
1202BN102-72	1202TB105-9	973438 973444	971443	120HM101	1.50-18 UNEF-2A THD	30°-50° 30°-50°
1202BN102-73	1202TB105-9	973436 973442	971443	120HM101	1.50-18 UNEF-2A THD	30°-50° 30°-50°
1202BN102-74	1202TB105-9	685346 973420	971443	120HM101	1.50-18 UNEF-2A THD	30°-50° 30°-50°
1202BN102-75	1462TB103-8	973456 973146	971443	120HM101	1.50-12 UNF-2A THD	30°-50° 30°-50°
1202BN102-76	1462TB103-8	973456 973146	971443	120HM101	1.50-12 UNF-2A THD	30°-50° 30°-50°
1202BN102-77	1462TB103-8	685380 973148	971443	120HM101	1.50-12 UNF-2A THD	30°-50° 30°-50°
1202BN102-78	1462TB103-8	685380 973148	971443	120HM101	1.50-12 UNF-2A THD	30°-50° 30°-50°
1202BN103-1	1202TB103-5	971789 971791	815326	816369 816369	1.50-18 UNEF-2A THD	50° 50°
1202BN103-2	1202TB103-5	971802 971804	815326	816369 816369	1.50-18 UNEF-2A THD	50° 50°
1202BN103-3	1202TB103-6	971841 971839	815326	816366 816367	1.50-18 UNEF-2A THD	40° 45°
1202BN103-4	1202TB103-6	971843 971837	815326	816366 816367	1.50-18 UNEF-2A THD	40° 45°

Axle Specifications E1002-E1202

STEER AXLE ASSEMBLY SPECIFICATION	I-BEAM SPECIFICATION	KNUCKLE ASSY LH ASSY RH	TIE ROD ASSY	STOP SCREW LH / RH	FRONT STEER SPINDLE NUT	TURN ANGLE LH / RH
1202BN103-5	1202TB103-6	971855 971845	815326	816366 816367	1.50-18 UNEF-2A THD	40° 45°
1202BN103-6	1202TB103-6	971853 971847	815326	816366 816367	1.50-18 UNEF-2A THD	40° 45°
1202BN103-7	1202TB103-6	971851 971829	815326	816366 816367	1.50-18 UNEF-2A THD	40° 45°
1202BN103-8	1202TB103-6	971849 971833	815326	816366 816367	1.50-18 UNEF-2A THD	40° 45°
1202BN103-9	1202TB103-6	971889 971839	815326	816366 816367	1.50-18 UNEF-2A THD	40° 45°
1202BN103-10	1202TB103-5	971859 971829	815326	816369 816369	1.50-18 UNEF-2A THD	50° 50°
1202BN103-11	1202TB103-6	971861 971847	815326	816366 816367	1.50-18 UNEF-2A THD	40° 45°
1202BN103-12	1202TB103-6	971863 971837	815326	816366 816367	1.50-18 UNEF-2A THD	40° 45°
1202BN103-13	1202TB103-6	971865 971833	815326	816366 816367	1.50-18 UNEF-2A THD	40° 45°
1202BN103-14	1202TB103-12	971895 971837	815326	816369 816367	1.50-18 UNEF-2A THD	46°-50° 43°-48°
1202BN103-15	1202TB103-12	971905 971919	815326	816367 816366	1.50-18 UNEF-2A THD	41°-45° 36°-40°
1202BN103-16	1202TB103-12	971903 971839	815326	816369 816367	1.50-18 UNEF-2A THD	46°-50° 43°-48°
1202BN103-17	1202TB103-12	971897 971837	815326	816367 816367	1.50-18 UNEF-2A THD	41°-45° 41°-45°
1202BN103-18	1202TB103-12	971899 971829	815326	816367 816367	1.50-18 UNEF-2A THD	41°-45° 41°-45°
1202BN103-19	1202TB103-12	971901 971833	815326	816367 816367	1.50-18 UNEF-2A THD	41°-45° 41°-45°
1202BN103-20	1202TB103-12	971909 971837	815326	816367 816367	1.50-18 UNEF-2A THD	41°-45° 41°-45°
1202BN103-21	1202TB103-12	971911 971829	815326	816367 816366	1.50-18 UNEF-2A THD	41°-45° 36°-40°
1202BN103-22	1202TB103-12	971901 971833	815326	816367 816366	1.50-18 UNEF-2A THD	41°-45° 36°-40°
1202BN103-23	1202TB103-12	971907 971921	815326	816367 816366	1.50-18 UNEF-2A THD	41°-45° 36°-40°
1202BN103-24	1202TB103-12	971895 971837	815326	816367 816367	1.50-18 UNEF-2A THD	41°-45° 41°-45°

Axle Specifications E1002-E1202

STEER AXLE ASSEMBLY SPECIFICATION	I-BEAM SPECIFICATION	KNUCKLE ASSY LH ASSY RH	TIE ROD ASSY	STOP SCREW LH / RH	FRONT STEER SPINDLE NUT	TURN ANGLE LH / RH
1202BN103-25	1202TB103-12	971827 971829	815326	816367 816367	1.50-18 UNEF-2A THD	41°-45° 41°-45°
1202BN103-26	1202TB103-12	971893 971833	815326	816367 816367	1.50-18 UNEF-2A THD	41°-45° 41°-45°
1202BN103-27	1202TB103-9	971923 971837	815326	816369 816369	1.50-18 UNEF-2A THD	46°-50° 46°-50°
1202BN103-28	1202TB103-9	971927 971829	815326	816369 816369	1.50-18 UNEF-2A THD	46°-50° 46°-50°
1202BN103-29	1202TB103-9	971929 971833	815326	816369 816369	1.50-18 UNEF-2A THD	46°-50° 46°-50°
1202BN103-30	1202TB103-9	971931 971837	815326	816367 816367	1.50-18 UNEF-2A THD	41°-45° 41°-45°
1202BN103-31	1202TB103-9	971935 971839	815326	816367 816366	1.50-18 UNEF-2A THD	41°-45° 36°-40°
1202BN103-32	1202TB103-9	971937 971833	815326	816367 816366	1.50-18 UNEF-2A THD	41°-45° 36°-40°
1202BN103-33	1202TB103-9	971933 971837	815326	816367 816367	1.50-18 UNEF-2A THD	41°-45° 41°-45°
1202BN103-34	1202TB103-9	971939 971839	815326	816367 816366	1.50-18 UNEF-2A THD	41°-45° 36°-40°
1202BN103-35	1202TB103-9	971941 971833	815326	816367 816366	1.50-18 UNEF-2A THD	41°-45° 36°-40°
1202BN103-36	1202TB103-9	971943 971945	815326	816367 816367	1.50-18 UNEF-2A THD	41°-45° 41°-45°
1202BN103-37	1202TB103-9	971947 971949	815326	816367 816366	1.50-18 UNEF-2A THD	41°-45° 36°-40°
1202BN103-38	1202TB103-6	971979 971829	815326	816366 816367	1.50-18 UNEF-2A THD	36°-40° 41°-45°
1202BN103-39	1202TB103-6	971981 971845	815326	816366 816367	1.50-18 UNEF-2A THD	36°-40° 41°-45°
1202BN103-40	1202TB103-9	971952 971954	815326	816367 816366	1.50-18 UNEF-2A THD	41°-45° 36°-40°
1202BN103-41	1202TB103-2	972160 972248	815326	120HM101 120HM101	1.50-18 UNEF-2A THD	30°-50° 30°-50°
1202BN103-42	1202TB103-2	972162 972250	815326	120HM101 120HM101	1.50-18 UNEF-2A THD	30°-50° 30°-50°
1202BN103-43	1202TB103-2	972252 972246	815326	120HM101 120HM101	1.50-18 UNEF-2A THD	30°-50° 30°-50°
1202BN103-44	1202TB103-2	971988 972250	815326	120HM101 120HM101	1.50-18 UNEF-2A THD	30°-50° 30°-50°

Axle Specifications E1002-E1202

STEER AXLE ASSEMBLY SPECIFICATION	I-BEAM SPECIFICATION	KNUCKLE ASSY LH ASSY RH	TIE ROD ASSY	STOP SCREW LH / RH	FRONT STEER SPINDLE NUT	TURN ANGLE LH / RH
1202BN103-45	1202TB103-2	971986 972246	815326	120HM101 120HM101	1.50-18 UNEF-2A THD	30°-50° 30°-50°
1202BN103-46	1202TB103-2	971990 972248	815326	120HM101 120HM101	1.50-18 UNEF-2A THD	30°-50° 30°-50°
1202BN103-47	1202TB103-9	972114 972116	815326	816369 816369	1.50-18 UNEF-2A THD	46°-50° 46°-50°
1202BN103-48	1202TB103-9	972118 972120	815326	816369 816369	1.50-18 UNEF-2A THD	46°-50° 46°-50°
1202BN103-49	1202TB103-9	972122 972124	815326	816369 816369	1.50-18 UNEF-2A THD	46°-50° 46°-50°
1202BN103-50	1202TB103-5	972130 971791	815326	816369 816369	1.50-18 UNEF-2A THD	46°-50° 46°-50°
1202BN103-51	1202TB103-5	972132 971804	815326	816369 816369	1.50-18 UNEF-2A THD	46°-50° 46°-50°
1202BN103-52	1202TB103-12	972148 972150	815326	816367 816366	1.50-18 UNEF-2A THD	41°-45° 36°-40°
1202BN103-53	1202TB103-12	972166 972168	815326	816367 816366	1.50-18 UNEF-2A THD	41°-45° 36°-40°
1202BN103-54	1202TB103-12	971933 971837	815326	816367 816367	1.50-18 UNEF-2A THD	41°-45° 41°-45°
1202BN103-55	1202TB103-2	972227 972248	815326	120HM101 120HM101	1.50-18 UNEF-2A THD	30°-50° 30°-50°
1202BN103-56	1202TB103-2	972229 972250	815326	120HM101 120HM101	1.50-18 UNEF-2A THD	30°-50° 30°-50°
1202BN103-57	1202TB103-12	971939 971839	815326	816367 816366	1.50-18 UNEF-2A THD	41°-45° 36°-40°
1202BN103-58	1202TB103-13	972177 971839	815326	816366 816367	1.50-18 UNEF-2A THD	36°-40° 41°-46°
1202BN103-59	1202TB103-13	972179 971837	815326	816366 816367	1.50-18 UNEF-2A THD	36°-40° 41°-46°
1202BN103-60	1202TB103-13	972181 971845	815326	816366 816367	1.50-18 UNEF-2A THD	36°-40° 41°-46°
1202BN103-61	1202TB103-13	972183 971847	815326	816366 816367	1.50-18 UNEF-2A THD	36°-40° 41°-46°
1202BN103-62	1202TB103-13	972185 971829	815326	816366 816367	1.50-18 UNEF-2A THD	36°-40° 41°-46°
1202BN103-63	1202TB103-13	972187 971833	815326	816366 816367	1.50-18 UNEF-2A THD	36°-40° 41°-46°
1202BN103-64	1202TB103-13	972189 971839	815326	816366 816367	1.50-18 UNEF-2A THD	36°-40° 41°-46°

Axle Specifications E1002-E1202

STEER AXLE ASSEMBLY SPECIFICATION	I-BEAM SPECIFICATION	KNUCKLE ASSY LH ASSY RH	TIE ROD ASSY	STOP SCREW LH / RH	FRONT STEER SPINDLE NUT	TURN ANGLE LH / RH
1202BN103-65	1202TB103-13	972191 971837	815326	816366 816367	1.50-18 UNEF-2A THD	36°-40° 41°-46°
1202BN103-66	1202TB103-13	972193 971845	815326	816366 816367	1.50-18 UNEF-2A THD	36°-40° 41°-46°
1202BN103-67	1202TB103-13	972195 971847	815326	816366 816367	1.50-18 UNEF-2A THD	36°-40° 41°-46°
1202BN103-68	1202TB103-13	972197 971829	815326	816366 816367	1.50-18 UNEF-2A THD	36°-40° 41°-46°
1202BN103-69	1202TB103-13	972199 971833	815326	816366 816367	1.50-18 UNEF-2A THD	36°-40° 41°-46°
1202BN103-70	1202TB103-13	972201 971839	815326	816366 816367	1.50-18 UNEF-2A THD	36°-40° 41°-46°
1202BN103-71	1202TB103-13	972203 971837	815326	816366 816367	1.50-18 UNEF-2A THD	36°-40° 41°-46°
1202BN103-72	1202TB103-13	972205 971845	815326	816366 816367	1.50-18 UNEF-2A THD	36°-40° 41°-46°
1202BN103-73	1202TB103-13	972207 971847	815326	816366 816367	1.50-18 UNEF-2A THD	36°-40° 41°-46°
1202BN103-74	1202TB103-13	972209 971829	815326	816366 816367	1.50-18 UNEF-2A THD	36°-40° 41°-46°
1202BN103-75	1202TB103-13	972211 971833	815326	816366 816367	1.50-18 UNEF-2A THD	36°-40° 41°-46°
1202BN103-76	1202TB103-13	972213 971839	815326	816366 816367	1.50-18 UNEF-2A THD	36°-40° 41°-46°
1202BN103-77	1202TB103-13	972215 971837	815326	816366 816367	1.50-18 UNEF-2A THD	36°-40° 41°-46°
1202BN103-78	1202TB103-13	972217 971845	815326	816366 816367	1.50-18 UNEF-2A THD	36°-40° 41°-46°
1202BN103-79	1202TB103-13	972219 971847	815326	816366 816367	1.50-18 UNEF-2A THD	36°-40° 41°-46°
1202BN103-80	1202TB103-13	972221 971829	815326	816366 816367	1.50-18 UNEF-2A THD	36°-40° 41°-46°
1202BN103-81	1202TB103-13	972234 971833	815326	816366 816367	1.50-18 UNEF-2A THD	36°-40° 41°-46°
1202BN103-82	1202TB103-15	972256 972246	815326	120HM101 120HM101	1.50-18 UNEF-2A THD	30°-50° 30°-50°
1202BN103-83	1202TB103-16	972268 972246	815326	120HM101 120HM101	1.50-18 UNEF-2A THD	30°-50° 30°-50°
1202BN103-84	1202TB103-16	972270 972250	815326	120HM101 120HM101	1.50-18 UNEF-2A THD	30°-50° 30°-50°

Axle Specifications E1002-E1202

STEER AXLE ASSEMBLY SPECIFICATION	I-BEAM SPECIFICATION	KNUCKLE ASSY LH ASSY RH	TIE ROD ASSY	STOP SCREW LH / RH	FRONT STEER SPINDLE NUT	TURN ANGLE LH / RH
1202BN103-85	1202TB103-12	972146 972124	815326	816367 816366	1.50-18 UNEF-2A THD	41°-45° 36°-40°
1202BN103-86	1202TB103-12	972144 972116	815326	816367 816366	1.50-18 UNEF-2A THD	41°-45° 36°-40°
1202BN103-87	1202TB103-16	972288 972248	815326	120HM101 120HM101	1.50-18 UNEF-2A THD	30°-50° 30°-50°
1202BN103-88	1202TB103-12	971935 971839	815326	816367 816366	1.50-18 UNEF-2A THD	41°-45° 36°-40°
1202BN103-89	1202TB103-12	972312 972314	815326	816367 816366	1.50-18 UNEF-2A THD	41°-45° 36°-40°
1202BN103-90	1202TB103-16	972420 972246	815326	120HM101 120HM101	1.50-18 UNEF-2A THD	30°-50° 30°-50°
1202BN103-91	1202TB103-9	972312 972314	815326	816367 816366	1.50-18 UNEF-2A THD	41°-45° 36°-40°
1202BN103-92	1202TB103-16	972427 972250	815326	120HM101 120HM101	1.50-18 UNEF-2A THD	30°-50° 30°-50°
1202BN103-95	1202TB103-9	972466 972433	815326	816367 816367	1.50-18 UNEF-2A THD	41°-45° 41°-45°
1202BN103-96	1202TB103-9	972470 972433	815326	816367 816367	1.50-18 UNEF-2A THD	41°-45° 41°-45°
1202BN103-97	1202TB103-9	972472 972314	815326	816367 816366	1.50-18 UNEF-2A THD	41°-45° 36°-40°
1202BN103-98	1202TB103-9	972468 972437	815326	816367 816366	1.50-18 UNEF-2A THD	41°-45° 36°-40°
1202BN103-99	1202TB103-9	972474 972437	815326	816367 816366	1.50-18 UNEF-2A THD	41°-45° 36°-40°
1202BN103-100	1202TB103-15	972485 972250	815326	120HM101 120HM101	1.50-18 UNEF-2A THD	30°-50° 30°-50°
1202BN103-101	1202TB103-12	972466 972433	815326	816367 816367	1.50-18 UNEF-2A THD	41°-45° 41°-45°
1202BN103-102	1202TB103-12	972470 972433	815326	816367 816367	1.50-18 UNEF-2A THD	41°-45° 41°-45°
1202BN103-103	1202TB103-12	972312 972314	815326	816367 816366	1.50-18 UNEF-2A THD	41°-45° 36°-40°
1202BN103-104	1202TB103-12	972472 972314	815326	816367 816366	1.50-18 UNEF-2A THD	41°-45° 36°-40°
1202BN103-105	1202TB103-12	972468 972437	815326	816367 816366	1.50-18 UNEF-2A THD	41°-45° 36°-40°
1202BN103-106	1202TB103-12	972474 972437	815326	816367 816366	1.50-18 UNEF-2A THD	41°-45° 36°-40°

Axle Specifications E1002-E1202

STEER AXLE ASSEMBLY SPECIFICATION	I-BEAM SPECIFICATION	KNUCKLE ASSY LH ASSY RH	TIE ROD ASSY	STOP SCREW LH / RH	FRONT STEER SPINDLE NUT	TURN ANGLE LH / RH
1202BN103-107	1202TB103-2	972491 972493	815326	120HM101 120HM101	1.50-18 UNEF-2A THD	30°-50° 30°-50°
1202BN103-108	1202TB103-2	972160 972248	815326	120HM101 120HM101	1.50-18 UNEF-2A THD	30°-50° 30°-50°
1202BN103-109	1202TB103-12	971931 971837	815326	816367 816367	1.50-18 UNEF-2A THD	41°-45° 41°-45°
1202BN103-110	1202TB103-12	971937 971833	815326	816367 816366	1.50-18 UNEF-2A THD	41°-45° 36°-40°
1202BN103-111	1202TB103-12	971941 971833	815326	816367 816366	1.50-18 UNEF-2A THD	41°-45° 36°-40°
1202BN103-112	1202TB103-12	971943 971945	815326	816367 816367	1.50-18 UNEF-2A THD	41°-45° 41°-45°
1202BN103-113	1202TB103-12	971947 971949	815326	816367 816366	1.50-18 UNEF-2A THD	41°-45° 36°-40°
1202BN103-114	1202TB103-12	971952 971954	815326	816367 816366	1.50-18 UNEF-2A THD	41°-45° 36°-40°
1202BN103-116	1202TB103-2	972512 972246	815326	120HM101 120HM101	1.50-18 UNEF-2A THD	30°-50° 30°-50°
1202BN103-117	1202TB103-2	972537 972489	815326	120HM101 120HM101	1.50-18 UNEF-2A THD	30°-50° 30°-50°
1202BN103-118	1202TB103-16	972270 972250	815326	120HM101 120HM101	1.50-18 UNEF-2A THD	30°-50° 30°-50°
1202BN103-119	1202TB103-2	972593 972260	815326	120HM101 120HM101	1.50-18 UNEF-2A THD	30°-50° 30°-50°
1202BN103-120	1202TB103-2	972310 972250	815326	120HM101 120HM101	1.50-18 UNEF-2A THD	30°-50° 30°-50°
1202BN103-121	1202TB103-16	972420 972246	815326	120HM101 120HM101	1.50-18 UNEF-2A THD	30°-50° 30°-50°
1202BN103-122	1202TB103-12	971827 971829	815326	816369 816367	1.50-18 UNEF-2A THD	46°-50° 41°-45°
1202BN103-124	1202TB103-15	972730 972248	815326	120HM101 120HM101	1.50-18 UNEF-2A THD	30°-50° 30°-50°
1202BN103-125	1202TB103-16	972427 972250	815326	120HM101 120HM101	1.50-18 UNEF-2A THD	30°-50° 30°-50°
1202BN103-126	1202TB103-12	971895 971837	815326	816367 816367	1.50-18 UNEF-2A THD	41°-45° 41°-45°
1202BN103-127	1202TB103-9	971923 971837	815326	816369 816367	1.50-18 UNEF-2A THD	46°-50° 41°-45°
1202BN103-128	1202TB103-9	971927 971829	815326	816369 816367	1.50-18 UNEF-2A THD	46°-50° 41°-45°

Axle Specifications E1002-E1202

STEER AXLE ASSEMBLY SPECIFICATION	I-BEAM SPECIFICATION	KNUCKLE ASSY LH ASSY RH	TIE ROD ASSY	STOP SCREW LH / RH	FRONT STEER SPINDLE NUT	TURN ANGLE LH / RH
1202BN103-129	1202TB103-9	971929 971833	815326	816369 816367	1.50-18 UNEF-2A THD	46°-50° 41°-45°
1202BN103-130	1202TB103-9	971931 971837	815326	816367 816367	1.50-18 UNEF-2A THD	41°-45° 41°-45°
1202BN103-131	1202TB103-9	971935 971839	815326	816367 816366	1.50-18 UNEF-2A THD	41°-45° 36°-40°
1202BN103-132	1202TB103-9	971937 971833	815326	816367 816366	1.50-18 UNEF-2A THD	41°-45° 36°-40°
1202BN103-133	1202TB103-9	971933 971837	815326	816367 816367	1.50-18 UNEF-2A THD	41°-45° 41°-45°
1202BN103-134	1202TB103-9	971939 971839	815326	816367 816366	1.50-18 UNEF-2A THD	41°-45° 36°-40°
1202BN103-135	1202TB103-9	971941 971833	815326	816367 816366	1.50-18 UNEF-2A THD	41°-45° 36°-40°
1202BN103-136	1202TB103-12	972820 971837	815326	816367 816367	1.50-18 UNEF-2A THD	41°-45° 41°-45°
1202BN103-137	1202TB103-12	972822 971839	815326	816367 816366	1.50-18 UNEF-2A THD	41°-45° 36°-40°
1202BN103-138	1202TB103-12	972824 971833	815326	816367 816366	1.50-18 UNEF-2A THD	41°-45° 36°-40°
1202BN103-139	1202TB103-12	972826 971837	815326	816367 816367	1.50-18 UNEF-2A THD	41°-45° 41°-45°
1202BN103-140	1202TB103-12	972828 971839	815326	816367 816366	1.50-18 UNEF-2A THD	41°-45° 36°-40°
1202BN103-141	1202TB103-12	972830 971833	815326	816367 816366	1.50-18 UNEF-2A THD	41°-45° 36°-40°
1202BN103-142*	1202TB103-12	972563 972858	815326	816367 816367	1.50-18 UNEF-2A THD	41°-45° 41°-45°
1202BN103-143*	1202TB103-12	972862 972860	815326	816367 816366	1.50-18 UNEF-2A THD	41°-45° 36°-40°
1202BN103-144	1202TB103-12	972927 972939	815326	120HM101 120HM101	1.50-18 UNEF-2A THD	30°-50° 30°-50°
1202BN103-145	1202TB103-12	972926 972938	815326	120HM101 120HM101	1.50-18 UNEF-2A THD	30°-50° 30°-50°
1202BN103-146	1202TB103-12	972929 972939	815326	120HM101 120HM101	1.50-18 UNEF-2A THD	30°-50° 30°-50°
1202BN103-147	1202TB103-12	972930 972937	815326	120HM101 120HM101	1.50-18 UNEF-2A THD	30°-50° 30°-50°
1202BN103-148	1202TB103-12	972925 972938	815326	120HM101 120HM101	1.50-18 UNEF-2A THD	30°-50° 30°-50°

Axle Specifications E1002-E1202

STEER AXLE ASSEMBLY SPECIFICATION	I-BEAM SPECIFICATION	KNUCKLE ASSY LH ASSY RH	TIE ROD ASSY	STOP SCREW LH / RH	FRONT STEER SPINDLE NUT	TURN ANGLE LH / RH
1202BN103-149	1202TB103-12	972928 972937	815326	120HM101 120HM101	1.50-18 UNEF-2A THD	30°-50° 30°-50°
1202BN103-150	1202TB103-12	971931 971837	815326	816367 816367	1.50-18 UNEF-2A THD	41°-45° 41°-45°
1202BN103-151	1202TB103-12	971935 971839	815326	816367 816366	1.50-18 UNEF-2A THD	41°-45° 36°-40°
1202BN103-152	1202TB103-12	972952 972976	815326	120HM101 120HM101	1.50-18 UNEF-2A THD	41°-45° 41°-45°
1202BN103-153	1202TB103-12	972948 972972	815326	120HM101 120HM101	1.50-18 UNEF-2A THD	30°-50° 30°-50°
1202BN103-154	1202TB103-12	972960 972976	815326	120HM101 120HM101	1.50-18 UNEF-2A THD	30°-50° 30°-50°
1202BN103-155	1202TB103-12	972964 972968	815326	120HM101 120HM101	1.50-18 UNEF-2A THD	30°-50° 30°-50°
1202BN103-156	1202TB103-12	972944 972972	815326	120HM101 120HM101	1.50-18 UNEF-2A THD	30°-50° 30°-50°
1202BN103-157	1202TB103-12	972956 972968	815326	120HM101 120HM101	1.50-18 UNEF-2A THD	30°-50° 30°-50°
1202BN103-158	1202TB103-12	973010 973026	815326	120HM101 120HM101	1.50-18 UNEF-2A THD	30°-50° 30°-50°
1202BN103-159	1202TB103-12	973011 973027	815326	120HM101 120HM101	1.50-18 UNEF-2A THD	30°-50° 30°-50°
1202BN103-160	1202TB103-12	973012 973025	815326	120HM101 120HM101	1.50-18 UNEF-2A THD	30°-50° 30°-50°
1202BN103-161	1202TB103-12	973038 973054	815326	120HM101 120HM101	1.50-18 UNEF-2A THD	30°-50° 30°-50°
1202BN103-162	1202TB103-12	973039 973055	815326	120HM101 120HM101	1.50-18 UNEF-2A THD	30°-50° 30°-50°
1202BN103-163	1202TB103-12	973040 973053	815326	120HM101 120HM101	1.50-18 UNEF-2A THD	30°-50° 30°-50°
1202BN103-164	1202TB103-12	971935 971839	815326	816367 816366	1.50-18 UNEF-2A THD	41°-45° 36°-40°
1202BN103-165	1202TB103-12	971931 971837	815326	816367 816367	1.50-18 UNEF-2A THD	41°-45° 41°-45°
1202BN103-166	1202TB103-12	971937 971833	815326	816367 816366	1.50-18 UNEF-2A THD	41°-45° 36°-40°
1202BN103-167	1202TB103-12	972828 971839	815326	816367 816366	1.50-18 UNEF-2A THD	41°-45° 36°-40°
1202BN103-168	1202TB103-12	972830 971833	815326	816367 816366	1.50-18 UNEF-2A THD	41°-45° 36°-40°

Axle Specifications E1002-E1202

STEER AXLE ASSEMBLY SPECIFICATION	I-BEAM SPECIFICATION	KNUCKLE ASSY LH ASSY RH	TIE ROD ASSY	STOP SCREW LH / RH	FRONT STEER SPINDLE NUT	TURN ANGLE LH / RH
1202BN103-169	1202TB103-12	972826 971837	815326	816367 816367	1.50-18 UNEF-2A THD	41°-45° 41°-45°
1202BN103-170	1202TB103-5	973162 973178	815326	816369 816369	1.50-18 UNEF-2A THD	50° 50°
1202BN103-171	1202TB103-5	973164 973180	815326	816369 816369	1.50-18 UNEF-2A THD	50° 50°
1202BN103-172	1202TB103-5	973166 973178	815326	816369 816369	1.50-18 UNEF-2A THD	46°-50° 46°-50°
1202BN103-173	1202TB103-5	973168 973180	815326	816369 816369	1.50-18 UNEF-2A THD	46°-50° 46°-50°
1202BN103-174	1202TB103-13	973170 973182	815326	816366 816367	1.50-18 UNEF-2A THD	36°-40° 41°-46°
1202BN103-175	1202TB103-13	685240 973178	815326	816366 816367	1.50-18 UNEF-2A THD	36°-40° 41°-46°
1202BN103-176	1202TB103-13	973174 973182	815326	816366 816367	1.50-18 UNEF-2A THD	36°-40° 41°-46°
1202BN103-177	1202TB103-13	685242 973178	815326	816366 816367	1.50-18 UNEF-2A THD	36°-40° 41°-46°
1202BN103-178	1202TB103-9	973218 973288	815326	120HM101 120HM101	1.50-18 UNEF-2A THD	30°-50° 30°-50°
1202BN103-179	1202TB103-9	973222 973290	815326	120HM101 120HM101	1.50-18 UNEF-2A THD	30°-50° 30°-50°
1202BN103-180	1202TB103-9	973224 973286	815326	120HM101 120HM101	1.50-18 UNEF-2A THD	30°-50° 30°-50°
1202BN103-181	1202TB103-9	973220 973288	815326	120HM101 120HM101	1.50-18 UNEF-2A THD	30°-50° 30°-50°
1202BN103-182	1202TB103-9	973226 973290	815326	120HM101 120HM101	1.50-18 UNEF-2A THD	30°-50° 30°-50°
1202BN103-183	1202TB103-9	973228 973286	815326	120HM101 120HM101	1.50-18 UNEF-2A THD	30°-50° 30°-50°
1202BN103-184	1202TB103-12	973222 973290	815326	120HM101 120HM101	1.50-18 UNEF-2A THD	30°-50° 30°-50°
1202BN103-185	1202TB103-12	973218 973288	815326	120HM101 120HM101	1.50-18 UNEF-2A THD	30°-50° 30°-50°
1202BN103-186	1202TB103-12	973224 973286	815326	120HM101 120HM101	1.50-18 UNEF-2A THD	30°-50° 30°-50°
1202BN103-187	1202TB103-12	973272 973290	815326	120HM101 120HM101	1.50-18 UNEF-2A THD	30°-50° 30°-50°
1202BN103-188	1202TB103-12	973274 973286	815326	120HM101 120HM101	1.50-18 UNEF-2A THD	30°-50° 30°-50°

Axle Specifications E1002-E1202

STEER AXLE ASSEMBLY SPECIFICATION	I-BEAM SPECIFICATION	KNUCKLE ASSY LH ASSY RH	TIE ROD ASSY	STOP SCREW LH / RH	FRONT STEER SPINDLE NUT	TURN ANGLE LH / RH
1202BN103-189	1202TB103-12	973270 973288	815326	120HM101 120HM101	1.50-18 UNEF-2A THD	30°-50° 30°-50°
1202BN103-190	1202TB103-9	973374 973288	815326	120HM101 120HM101	1.50-18 UNEF-2A THD	30°-50° 30°-50°
1202BN103-191	1202TB103-9	973376 973420	815326	120HM101 120HM101	1.50-18 UNEF-2A THD	30°-50° 30°-50°
1202BN103-192	1202TB103-9	973378 973286	815326	120HM101 120HM101	1.50-18 UNEF-2A THD	30°-50° 30°-50°
1202BN103-193	1202TB103-12	973220 973288	815326	120HM101 120HM101	1.50-18 UNEF-2A THD	30°-50° 30°-50°
1202BN103-194	1202TB103-12	973226 973290	815326	120HM101 120HM101	1.50-18 UNEF-2A THD	30°-50° 30°-50°
1202BN103-195	1202TB103-12	973228 973286	815326	120HM101 120HM101	1.50-18 UNEF-2A THD	30°-50° 30°-50°
1202BN103-196	1202TB103-12	973218 973288	815326	120HM101 120HM101	1.50-18 UNEF-2A THD	30°-50° 30°-50°
1202BN103-197	1202TB103-12	973222 973290	815326	120HM101 120HM101	1.50-18 UNEF-2A THD	30°-50° 30°-50°
1202BN103-198	1202TB103-12	973224 973286	815326	120HM101 120HM101	1.50-18 UNEF-2A THD	30°-50° 30°-50°
1202BN103-199	1202TB103-12	973242 973288	815326	120HM101 120HM101	1.50-18 UNEF-2A THD	30°-50° 30°-50°
1202BN103-200	1202TB103-12	973244 973290	815326	120HM101 120HM101	1.50-18 UNEF-2A THD	30°-50° 30°-50°
1202BN103-201	1202TB103-12	973246 973286	815326	120HM101 120HM101	1.50-18 UNEF-2A THD	30°-50° 30°-50°
1202BN103-202	1202TB103-12	973254 973288	815326	120HM101 120HM101	1.50-18 UNEF-2A THD	30°-50° 30°-50°
1202BN103-203	1202TB103-12	973256 973290	815326	120HM101 120HM101	1.50-18 UNEF-2A THD	30°-50° 30°-50°
1202BN103-204	1202TB103-12	973258 973286	815326	120HM101 120HM101	1.50-18 UNEF-2A THD	30°-50° 30°-50°
1202BN103-205	1202TB103-12	973264 973288	815326	120HM101 120HM101	1.50-18 UNEF-2A THD	41°-45° 41°-45°
1202BN103-206	1202TB103-12	973266 973290	815326	120HM101 120HM101	1.50-18 UNEF-2A THD	41°-45° 36°-40°
1202BN103-207	1202TB103-12	973268 973286	815326	120HM101 120HM101	1.50-18 UNEF-2A THD	41°-45° 36°-40°
1202BN103-208	1202TB103-12	973262 973292	815326	120HM101 120HM101	1.50-18 UNEF-2A THD	41°-45° 41°-45°

Axle Specifications E1002-E1202

STEER AXLE ASSEMBLY SPECIFICATION	I-BEAM SPECIFICATION	KNUCKLE ASSY LH ASSY RH	TIE ROD ASSY	STOP SCREW LH / RH	FRONT STEER SPINDLE NUT	TURN ANGLE LH / RH
1202BN103-209	1202TB103-12	973276 973294	815326	120HM101 120HM101	1.50-18 UNEF-2A THD	41°-45° 36°-40°
1202BN103-210	1202TB103-12	973298 973320	815326	120HM101 120HM101	1.50-18 UNEF-2A THD	30°-50° 30°-50°
1202BN103-211	1202TB103-12	973304 973322	815326	120HM101 120HM101	1.50-18 UNEF-2A THD	30°-50° 30°-50°
1202BN103-212	1202TB103-12	973306 973318	815326	120HM101 120HM101	1.50-18 UNEF-2A THD	30°-50° 30°-50°
1202BN103-213	1202TB103-12	973296 973320	815326	120HM101 120HM101	1.50-18 UNEF-2A THD	30°-50° 30°-50°
1202BN103-214	1202TB103-12	973300 973322	815326	120HM101 120HM101	1.50-18 UNEF-2A THD	41°-45° 41°-45°
1202BN103-215	1202TB103-12	973302 973318	815326	120HM101 120HM101	1.50-18 UNEF-2A THD	30°-50° 30°-50°
1202BN103-216	1202TB103-12	973326 973348	815326	120HM101 120HM101	1.50-18 UNEF-2A THD	30°-50° 30°-50°
1202BN103-217	1202TB103-12	973332 973350	815326	120HM101 120HM101	1.50-18 UNEF-2A THD	30°-50° 30°-50°
1202BN103-218	1202TB103-12	973334 973346	815326	120HM101 120HM101	1.50-18 UNEF-2A THD	30°-50° 30°-50°
1202BN103-219	1202TB103-12	973324 973348	815326	120HM101 120HM101	1.50-18 UNEF-2A THD	30°-50° 30°-50°
1202BN103-220	1202TB103-12	973328 973350	815326	120HM101 120HM101	1.50-18 UNEF-2A THD	41°-45° 41°-45°
1202BN103-221	1202TB103-12	973330 973346	815326	120HM101 120HM101	1.50-18 UNEF-2A THD	30°-50° 30°-50°
1202BN103-222	1202TB103-12	973218 973288	815326	120HM101 120HM101	1.50-18 UNEF-2A THD	41°-45° 36°-40°
1202BN103-223	1202TB103-12	973222 973290	815326	120HM101 120HM101	1.50-18 UNEF-2A THD	41°-45° 41°-45°
1202BN103-224	1202TB103-12	973224 973286	815326	120HM101 120HM101	1.50-18 UNEF-2A THD	41°-45° 36°-40°
1202BN103-225	1202TB103-12	973272 973290	815326	120HM101 120HM101	1.50-18 UNEF-2A THD	41°-45° 36°-40°
1202BN103-226	1202TB103-12	973274 973286	815326	120HM101 120HM101	1.50-18 UNEF-2A THD	41°-45° 36°-40°
1202BN103-227	1202TB103-12	973270 973288	815326	120HM101 120HM101	1.50-18 UNEF-2A THD	41°-45° 41°-45°
1202BN103-228	1202TB103-19	973204 972248	815326	120HM101 120HM101	1.50-18 UNEF-2A THD	30°-50° 30°-50°

Axle Specifications E1002-E1202

STEER AXLE ASSEMBLY SPECIFICATION	I-BEAM SPECIFICATION	KNUCKLE ASSY LH ASSY RH	TIE ROD ASSY	STOP SCREW LH / RH	FRONT STEER SPINDLE NUT	TURN ANGLE LH / RH
1202BN103-229	1202TB103-19	973206 972250	815326	120HM101 120HM101	1.50-18 UNEF-2A THD	30°-50° 30°-50°
1202BN103-230	1202TB103-19	973208 972246	815326	120HM101 120HM101	1.50-18 UNEF-2A THD	30°-50° 30°-50°
1202BN103-231	1202TB103-19	685244 973288	815326	120HM101 120HM101	1.50-18 UNEF-2A THD	30°-50° 30°-50°
1202BN103-232	1202TB103-19	685246 973290	815326	120HM101 120HM101	1.50-18 UNEF-2A THD	30°-50° 30°-50°
1202BN103-233	1202TB103-19	685248 973286	815326	120HM101 120HM101	1.50-18 UNEF-2A THD	30°-50° 30°-50°
1202BN103-234	1202TB103-16	685250 973290	815326	120HM101 120HM101	1.50-18 UNEF-2A THD	30°-50° 30°-50°
1202BN103-235	1202TB103-12	973242 973288	815326	120HM101 120HM101	1.50-18 UNEF-2A THD	30°-50° 30°-50°
1202BN103-236	1202TB103-12	973244 973290	815326	120HM101 120HM101	1.50-18 UNEF-2A THD	30°-50° 30°-50°
1202BN103-237	1202TB103-12	973246 973286	815326	120HM101 120HM101	1.50-18 UNEF-2A THD	30°-50° 30°-50°
1202BN103-238	1202TB103-12	973254 973288	815326	120HM101 120HM101	1.50-18 UNEF-2A THD	30°-50° 30°-50°
1202BN103-239	1202TB103-12	973256 973290	815326	120HM101 120HM101	1.50-18 UNEF-2A THD	30°-50° 30°-50°
1202BN103-240	1202TB103-12	973258 973286	815326	120HM101 120HM101	1.50-18 UNEF-2A THD	30°-50° 30°-50°
1202BN103-241	1202TB103-19	973262 685294	815326	120HM101 120HM101	1.50-18 UNEF-2A THD	30°-50° 30°-50°
1202BN103-242	1202TB103-19	685300 685296	815326	120HM101 120HM101	1.50-18 UNEF-2A THD	30°-50° 30°-50°
1202BN103-243	1202TB103-19	685302 685298	815326	120HM101 120HM101	1.50-18 UNEF-2A THD	30°-50° 30°-50°
1202BN103-244	1202TB103-2	973426 973286	815326	120HM101 120HM101	1.50-18 UNEF-2A THD	30°-50° 30°-50°
1202BN105-1	S-3004-366	972646 971679	971443	120HM101	1.50-12 UNF-2A THD	30°-50° 30°-50°
1202BN105-2	S-3004-366	972644 971695	971443	120HM101	1.50-12 UNF-2A THD	30°-50° 30°-50°

Axle Specifications E1302-E1322

STEER AXLE ASSEMBLY PART NO.	I-BEAM	KNUCKLE ASSY LH ASSY RH	TIE ROD ASSY	STOP SCREW LH / RH	FRONT STEER SPINDLE NUT	TURN ANGLE LH / RH
1302BN100-1	971620	971923 971837	815326	816369 816369	1.50-18 UNEF-2A THD	46°-50° 46°-50°
1302BN100-2	971620	971923 971837	815326	816369 816367	1.50-18 UNEF-2A THD	46°-50° 41°-45°
1302BN100-3	971620	971927 971829	815326	816369 816367	1.50-18 UNEF-2A THD	46°-50° 41°-45°
1302BN100-4	971620	971929 971833	815326	816369 816367	1.50-18 UNEF-2A THD	46°-50° 41°-45°
1302BN100-5	971620	973374 973288	815326	120HM101 120HM101	1.50-18 UNEF-2A THD	30°-50° 30°-50°
1302BN100-6	971620	973376 973420	815326	120HM101 120HM101	1.50-18 UNEF-2A THD	30°-50° 30°-50°
1302BN100-7	971620	973378 973286	815326	120HM101 120HM101	1.50-18 UNEF-2A THD	30°-50° 30°-50°
1302BN100-8	971359	971490 971492	817755	120HM101 120HM101	1.50-12 UNF-2A THD	30°-50° 30°-50°
1302BN100-9	971359	972764 971578	817755	120HM101 120HM101	1.50-12 UNF-2A THD	30°-50° 30°-50°
1302BN100-10	971359	973124 973142	817755	120HM101 120HM101	1.50-12 UNF-2A THD	30°-50° 30°-50°
1302BN100-11	971359	973090 973140	817755	120HM101 120HM101	1.50-12 UNF-2A THD	30°-50° 30°-50°
1322BN101-1	1462TB102-3	971611 971613	971092	816369 816369	1.50-18 UNEF-2A THD	46°-50° 46°-50°
1322BN101-2	1462TB102-2	971611 971613	971092	816369 816369	1.50-18 UNEF-2A THD	46°-50° 46°-50°
1322BN101-3	1462TB102-5	971611 971613	971092	816369 816369	1.50-18 UNEF-2A THD	46°-50° 46°-50°
1322BN101-4	1462TB102-6	971666 971613	971092	816369 816369	1.50-18 UNEF-2A THD	46°-50° 46°-50°
1322BN101-5	1462TB102-2	971611 971613	971092	816369 816369	1.50-18 UNEF-2A THD	46°-50° 46°-50°
1322BN101-6	1462TB102-2	971666 971613	971092	816369 816369	1.50-18 UNEF-2A THD	46°-50° 46°-50°
1322BN101-7	1462TB102-2	971611 971613	971092	816369 816369	1.50-18 UNEF-2A THD	46°-50° 46°-50°
1322BN101-8	1462TB102-6	971611 971613	971092	816369 816369	1.50-18 UNEF-2A THD	46°-50° 46°-50°
1322BN101-9	1462TB102-2	972025 971613	971092	816369 816369	1.50-18 UNEF-2A THD	46°-50° 46°-50°

Axle Specifications E1302-E1322

STEER AXLE ASSEMBLY PART NO.	I-BEAM	KNUCKLE ASSY LH ASSY RH	TIE ROD ASSY	STOP SCREW LH / RH	FRONT STEER SPINDLE NUT	TURN ANGLE LH / RH
1322BN101-10	1462TB102-10	817729 817744	971092	816369 816369	1.50-18 UNEF-2A THD	46°-50° 46°-50°
1322BN101-11	1462TB102-10	972495 818060	971092	816369 816369	1.50-18 UNEF-2A THD	46°-50° 46°-50°
1322BN101-12	1462TB102-10	817723 817738	971092	816369 816369	1.50-18 UNEF-2A THD	46°-50° 46°-50°
1322BN101-13	1462TB102-10	970902 817744	971092	816369 816369	1.50-18 UNEF-2A THD	46°-50° 46°-50°
1322BN101-14	1462TB102-10	972497 818060	971092	816369 816369	1.50-18 UNEF-2A THD	46°-50° 46°-50°
1322BN101-15	1462TB102-10	970904 817738	971092	816369 816369	1.50-18 UNEF-2A THD	46°-50° 46°-50°
1322BN101-16	1462TB102-10	972499 817738	971092	816369 816369	1.50-18 UNEF-2A THD	46°-50° 46°-50°
1322BN101-17	1462TB102-10	972501 818060	971092	816369 816369	1.50-18 UNEF-2A THD	46°-50° 46°-50°
1322BN101-18	1462TB102-11	817729 817744	971092	816367 816367	1.50-18 UNEF-2A THD	41°-45° 41°-45°
1322BN101-19	1462TB102-11	972495 818060	971092	816367 816367	1.50-18 UNEF-2A THD	41°-45° 41°-45°
1322BN101-20	1462TB102-11	817723 817738	971092	816367 816367	1.50-18 UNEF-2A THD	41°-45° 41°-45°
1322BN101-21	1462TB102-11	970902 817744	971092	816367 816367	1.50-18 UNEF-2A THD	41°-45° 41°-45°
1322BN101-22	1462TB102-11	972497 818060	971092	816367 816367	1.50-18 UNEF-2A THD	41°-45° 41°-45°
1322BN101-23	1462TB102-11	970904 817738	971092	816367 816367	1.50-18 UNEF-2A THD	41°-45° 41°-45°
1322BN101-24	1462TB102-11	972499 817738	971092	816369 816369	1.50-18 UNEF-2A THD	46°-50° 46°-50°
1322BN101-25	1462TB102-11	972501 818060	971092	816369 816369	1.50-18 UNEF-2A THD	46°-50° 46°-50°
1322BN101-26	1462TB102-12	971611 971613	971092	816369 816369	1.50-18 UNEF-2A THD	46°-50° 46°-50°
1322BN101-27	1462TB102-4	971633 971634	971092	816369 816369	1.50-18 UNEF-2A THD	46°-50° 46°-50°
1322BN101-28 (RH STEER)	1462TB102-2	972585 972587	971092	816369 816369	1.50-18 UNEF-2A THD	46°-50° 46°-50°
1322BN101-29	1462TB102-13	972599 971613	971092	816369 816369	1.50-18 UNEF-2A THD	46°-50° 46°-50°

Axle Specifications E1302-E1322

STEER AXLE ASSEMBLY PART NO.	I-BEAM	KNUCKLE ASSY LH ASSY RH	TIE ROD ASSY	STOP SCREW LH / RH	FRONT STEER SPINDLE NUT	TURN ANGLE LH / RH
1322BN101-30	1462TB102-11	972680 817737	971092	816369 816369	1.50-18 UNEF-2A THD	46°-50° 46°-50°
1322BN101-31	1462TB102-10	972495 818060	971092	816367 816366	1.50-18 UNEF-2A THD	41°-45° 36°-40°
1322BN101-32	1462TB102-10	817723 817738	971092	816369 816369	1.50-18 UNEF-2A THD	46°-50° 46°-50°
1322BN101-33	1462TB102-11	970902 817744	971092	816369 816369	1.50-18 UNEF-2A THD	46°-50° 46°-50°
1322BN101-34	1462TB102-10	972495 818060	971092	816367 816366	1.50-18 UNEF-2A THD	41°-45° 36°-40°
1322BN101-35	1462TB102-11	972844 817744	971092	816367 816367	1.50-18 UNEF-2A THD	41°-45° 41°-45°
1322BN101-36	1462TB102-11	972846 818060	971092	816367 816367	1.50-18 UNEF-2A THD	41°-45° 41°-45°
1322BN101-37	1462TB102-11	972848 817738	971092	816367 816367	1.50-18 UNEF-2A THD	41°-45° 41°-45°
1322BN101-38	1462TB102-11	972850 817744	971092	816367 816367	1.50-18 UNEF-2A THD	41°-45° 41°-45°
1322BN101-39	1462TB102-11	972852 818060	971092	816367 816367	1.50-18 UNEF-2A THD	41°-45° 41°-45°
1322BN101-40	1462TB102-11	972854 817738	971092	816367 816367	1.50-18 UNEF-2A THD	41°-45° 41°-45°
1322BN101-41	1462TB102-11	970902 817744	971092	816367 816367	1.50-18 UNEF-2A THD	41°-45° 41°-45°
1322BN101-42	1462TB102-11	972497 818060	971092	816367 816367	1.50-18 UNEF-2A THD	41°-45° 41°-45°
1322BN101-43	1462TB102-11	970904 817738	971092	816367 816367	1.50-18 UNEF-2A THD	41°-45° 41°-45°
1322BN101-44	1462TB102-11	972940 972934	971092	120HM101 120HM101	1.50-18 UNEF-2A THD	30°-50° 30°-50°
1322BN101-45	1462TB102-11	972932 972935	971092	120HM101 120HM101	1.50-18 UNEF-2A THD	30°-50° 30°-50°
1322BN101-46	1462TB102-11	972924 972933	971092	120HM101 120HM101	1.50-18 UNEF-2A THD	30°-50° 30°-50°
1322BN101-47	1462TB102-11	972921 972934	971092	120HM101 120HM101	1.50-18 UNEF-2A THD	30°-50° 30°-50°
1322BN101-48	1462TB102-11	972931 972935	971092	120HM101 120HM101	1.50-18 UNEF-2A THD	30°-50° 30°-50°
1322BN101-49	1462TB102-11	972920 972933	971092	120HM101 120HM101	1.50-18 UNEF-2A THD	30°-50° 30°-50°

Axle Specifications E1302-E1322

STEER AXLE ASSEMBLY PART NO.	I-BEAM	KNUCKLE ASSY LH ASSY RH	TIE ROD ASSY	STOP SCREW LH / RH	FRONT STEER SPINDLE NUT	TURN ANGLE LH / RH
1322BN101-50	1462TB102-11	972940 972934	971092	120HM101 120HM101	1.50-18 UNEF-2A THD	30°-50° 30°-50°
1322BN101-51	1462TB102-11	972932 972935	971092	120HM101 120HM101	1.50-18 UNEF-2A THD	30°-50° 30°-50°
1322BN101-52	1462TB102-11	972924 972933	971092	120HM101 120HM101	1.50-18 UNEF-2A THD	30°-50° 30°-50°
1322BN101-53	1462TB102-11	972921 972934	971092	120HM101 120HM101	1.50-18 UNEF-2A THD	30°-50° 30°-50°
1322BN101-54	1462TB102-11	972931 972935	971092	120HM101 120HM101	1.50-18 UNEF-2A THD	30°-50° 30°-50°
1322BN101-55	1462TB102-11	972920 972933	971092	120HM101 120HM101	1.50-18 UNEF-2A THD	30°-50° 30°-50°
1322BN101-56	1462TB102-14	972158 971320	971092	816369 816369	1.50-18 UNEF-2A THD	46°-50° 46°-50°
1322BN101-57	1462TB102-11	973008 973022	971092	120HM101 120HM101	1.50-18 UNEF-2A THD	30°-50° 30°-50°
1322BN101-58	1462TB102-11	973013 973023	971092	120HM101 120HM101	1.50-18 UNEF-2A THD	30°-50° 30°-50°
1322BN101-59	1462TB102-11	973007 973021	971092	120HM101 120HM101	1.50-18 UNEF-2A THD	30°-50° 30°-50°
1322BN101-60	1462TB102-11	973036 973050	971092	120HM101 120HM101	1.50-18 UNEF-2A THD	30°-50° 30°-50°
1322BN101-61	1462TB102-11	973041 973051	971092	120HM101 120HM101	1.50-18 UNEF-2A THD	30°-50° 30°-50°
1322BN101-62	1462TB102-11	973035 973049	971092	120HM101 120HM101	1.50-18 UNEF-2A THD	30°-50° 30°-50°
1322BN101-63	1462TB102-10	973210 973278	971092	120HM101 120HM101	1.50-18 UNEF-2A THD	30°-50° 30°-50°
1322BN101-64	1462TB102-11	973216 973278	971092	120HM101 120HM101	1.50-18 UNEF-2A THD	30°-50° 30°-50°
1322BN101-65	1462TB102-10	973230 973282	971092	120HM101 120HM101	1.50-18 UNEF-2A THD	30°-50° 30°-50°
1322BN101-66	1462TB102-11	973234 973280	971092	120HM101 120HM101	1.50-18 UNEF-2A THD	30°-50° 30°-50°
1322BN101-67	1462TB102-11	973232 973282	971092	120HM101 120HM101	1.50-18 UNEF-2A THD	30°-50° 30°-50°
1322BN101-68	1462TB102-11	973216 973278	971092	120HM101 120HM101	1.50-18 UNEF-2A THD	30°-50° 30°-50°
1322BN101-69	1462TB102-11	973212 973280	971092	120HM101 120HM101	1.50-18 UNEF-2A THD	30°-50° 30°-50°

Axle Specifications E1302-E1322

STEER AXLE ASSEMBLY PART NO.	I-BEAM	KNUCKLE ASSY LH ASSY RH	TIE ROD ASSY	STOP SCREW LH / RH	FRONT STEER SPINDLE NUT	TURN ANGLE LH / RH
1322BN101-70	1462TB102-11	973230 973282	971092	120HM101 120HM101	1.50-18 UNEF-2A THD	30°-50° 30°-50°
1322BN101-71	1462TB102-11	973210 973278	971092	120HM101 120HM101	1.50-18 UNEF-2A THD	30°-50° 30°-50°
1322BN101-72	1462TB102-11	973234 973280	971092	120HM101 120HM101	1.50-18 UNEF-2A THD	30°-50° 30°-50°
1322BN101-73	1462TB102-11	973232 973282	971092	120HM101 120HM101	1.50-18 UNEF-2A THD	30°-50° 30°-50°
1322BN101-74	1462TB102-11	973216 973278	971092	120HM101 120HM101	1.50-18 UNEF-2A THD	30°-50° 30°-50°
1322BN101-75	1462TB102-11	973212 973280	971092	120HM101 120HM101	1.50-18 UNEF-2A THD	30°-50° 30°-50°
1322BN101-76	1462TB102-11	973230 973282	971092	120HM101 120HM101	1.50-18 UNEF-2A THD	30°-50° 30°-50°
1322BN101-77	1462TB102-11	973210 973278	971092	120HM101 120HM101	1.50-18 UNEF-2A THD	30°-50° 30°-50°
1322BN101-78	1462TB102-11	973238 973280	971092	120HM101 120HM101	1.50-18 UNEF-2A THD	30°-50° 30°-50°
1322BN101-79	1462TB102-11	973248 973282	971092	120HM101 120HM101	1.50-18 UNEF-2A THD	30°-50° 30°-50°
1322BN101-80	1462TB102-11	973236 973278	971092	120HM101 120HM101	1.50-18 UNEF-2A THD	30°-50° 30°-50°
1322BN101-81	1462TB102-11	973252 973280	971092	120HM101 120HM101	1.50-18 UNEF-2A THD	30°-50° 30°-50°
1322BN101-82	1462TB102-11	973260 973282	971092	120HM101 120HM101	1.50-18 UNEF-2A THD	30°-50° 30°-50°
1322BN101-83	1462TB102-11	973250 973278	971092	120HM101 120HM101	1.50-18 UNEF-2A THD	30°-50° 30°-50°
1322BN101-84	1462TB102-11	973462 973464	971092	120HM101 120HM101	1.50-18 UNEF-2A THD	30°-50° 30°-50°
1322BN101-85	1462TB102-11	973466 973468	971092	120HM101 120HM101	1.50-18 UNEF-2A THD	30°-50° 30°-50°
1322BN101-86	1462TB102-11	685228 973280	971092	120HM101 120HM101	1.50-18 UNEF-2A THD	30°-50° 30°-50°
1322BN101-87	1462TB102-11	685230 973282	971092	120HM101 120HM101	1.50-18 UNEF-2A THD	30°-50° 30°-50°
1322BN101-88	1462TB102-11	685232 973278	971092	120HM101 120HM101	1.50-18 UNEF-2A THD	30°-50° 30°-50°
1322BN101-89	1462TB102-11	685234 973280	971092	120HM101 120HM101	1.50-18 UNEF-2A THD	30°-50° 30°-50°

Axle Specifications E1302-E1322

STEER AXLE ASSEMBLY PART NO.	I-BEAM	KNUCKLE ASSY LH ASSY RH	TIE ROD ASSY	STOP SCREW LH / RH	FRONT STEER SPINDLE NUT	TURN ANGLE LH / RH
1322BN101-90	1462TB102-11	685236 973282	971092	120HM101 120HM101	1.50-18 UNEF-2A THD	30°-50° 30°-50°
1322BN101-91	1462TB102-11	685238 973278	971092	120HM101 120HM101	1.50-18 UNEF-2A THD	30°-50° 30°-50°
1322BN101-92	1462TB102-10	973216 973278	971092	120HM101 120HM101	1.50-18 UNEF-2A THD	30°-50° 30°-50°
1322BN101-93	1462TB102-10	973232 973282	971092	120HM101 120HM101	1.50-18 UNEF-2A THD	30°-50° 30°-50°
1322BN102-1	1462TB103-2	971486 971488	971092	120HM101 120HM101	1.50-12 UNF-2A THD	30°-50° 30°-50°
1322BN102-2	1462TB103-5	972276 972278	971092	120HM101 120HM101	1.50-18 UNEF-2A THD	30°-50° 30°-50°
1322BN102-3	1462TB103-6	972156 817745	971092	120HM101 120HM101	1.50-18 UNEF-2A THD	30°-50° 30°-50°
1322BN102-4	1462TB103-5	972423 972425	971092	120HM101 120HM101	1.50-18 UNEF-2A THD	30°-50° 30°-50°
1322BN102-5	1462TB103-3	971486 971488	971092	120HM101 120HM101	1.50-12 UNF-2A THD	30°-50° 30°-50°
1322BN102-6	1462TB103-5	972535 972425	971092	120HM101 120HM101	1.50-18 UNEF-2A THD	30°-50° 30°-50°
1322BN102-7	1462TB103-2	971486 971488	971092	120HM101 120HM101	1.50-12 UNF-2A THD	30°-50° 30°-50°
1322BN102-8	1462TB103-3	971486 971488	971092	120HM101 120HM101	1.50-12 UNF-2A THD	30°-50° 30°-50°
1322BN102-9	1462TB103-5	972774 972425	971092	120HM101 120HM101	1.50-18 UNEF-2A THD	30°-50° 30°-50°
1322BN102-10	1462TB103-8	972682 971578	971092	120HM101 120HM101	1.50-12 UNF-2A THD	30°-50° 30°-50°
1322BN102-11	1462TB103-8	971486 971488	971092	120HM101 120HM101	1.50-12 UNF-2A THD	30°-50° 30°-50°
1322BN102-12	1462TB103-10	972158 971320	971092	816367 816367	1.50-18 UNEF-2A THD	41°-45° 41°-45°
1322BN102-13	1462TB103-5	972866 972794	971092	120HM101 120HM101	1.50-18 UNEF-2A THD	30°-50° 30°-50°
1322BN102-15	1462TB103-5	972796 972794	971092	120HM101 120HM101	1.50-18 UNEF-2A THD	30°-50° 30°-50°
1322BN102-16	1462TB103-3	973088 973138	971092	120HM101 120HM101	1.50-12 UNF-2A THD	30°-50° 30°-50°
1322BN102-17	1462TB103-5	973422 973278	971092	120HM101 120HM101	1.50-18 UNEF-2A THD	30°-50° 30°-50°

Axle Specifications E1302-E1322

STEER AXLE ASSEMBLY PART NO.	I-BEAM	KNUCKLE ASSY LH ASSY RH	TIE ROD ASSY	STOP SCREW LH / RH	FRONT STEER SPINDLE NUT	TURN ANGLE LH / RH
1322BN102-18	1462TB103-5	973434 973278	971092	120HM101 120HM101	1.50-18 UNEF-2A THD	30°-50° 30°-50°
1322BN102-19	1462TB103-5	973454 973398	971092	120HM101 120HM101	1.50-18 UNEF-2A THD	30°-50° 30°-50°
1322BN102-20	1462TB103-5	685204 973398	971092	120HM101 120HM101	1.50-18 UNEF-2A THD	30°-50° 30°-50°
1322BN102-21 DUAL STEER	1462TB103-5	971251 972597	971092	816369 816369	1.50-18 UNEF-2A THD	46°-50° 46°-50°
1322BN102-22	1462TB103-5	685270 973280	971092	120HM101 120HM101	1.50-18 UNEF-2A THD	30°-50° 30°-50°
1322BN102-23	1462TB103-5	685306 973280	971092	120HM101 120HM101	1.50-18 UNEF-2A THD	30°-50° 30°-50°
1322BN102-24	1462TB103-8	973124 973142	971092	120HM101 120HM101	1.50-12 UNF-2A THD	30°-50° 30°-50°
1322BN102-25	1462TB103-8	973088 973138	971092	120HM101 120HM101	1.50-12 UNF-2A THD	30°-50° 30°-50°
1322BN103-1	971805	971789 971791	815326	816369 816369	1.50-18 UNEF-2A THD	46°-50° 46°-50°
1322BN103-2	971805	971802 971804	815326	816369 816369	1.50-18 UNEF-2A THD	46°-50° 46°-50°
1322BN103-3	971620	971923 971837	815326	816369 816369	1.50-18 UNEF-2A THD	46°-50° 46°-50°
1322BN103-4	971620	971927 971829	815326	816369 816369	1.50-18 UNEF-2A THD	46°-50° 46°-50°
1322BN103-5	971620	971929 971833	815326	816369 816369	1.50-18 UNEF-2A THD	46°-50° 46°-50°
1322BN103-6	971620	971931 971837	815326	816367 816367	1.50-18 UNEF-2A THD	41°-45° 41°-45°
1322BN103-7	971620	971935 971839	815326	816367 816366	1.50-18 UNEF-2A THD	41°-45° 36°-40°
1322BN103-8	971620	971937 971833	815326	816367 816366	1.50-18 UNEF-2A THD	41°-45° 36°-40°
1322BN103-9	971620	971933 971837	815326	816367 816367	1.50-18 UNEF-2A THD	41°-45° 41°-45°
1322BN103-10	971620	971939 971839	815326	816367 816366	1.50-18 UNEF-2A THD	41°-45° 36°-40°
1322BN103-11	971620	971941 971833	815326	816367 816366	1.50-18 UNEF-2A THD	41°-45° 36°-40°
1322BN103-12	971959	971956 971958	815326	816366 816366	1.50-18 UNEF-2A THD	36°-40° 36°-40°

Axle Specifications E1302-E1322

STEER AXLE ASSEMBLY PART NO.	I-BEAM	KNUCKLE ASSY LH ASSY RH	TIE ROD ASSY	STOP SCREW LH / RH	FRONT STEER SPINDLE NUT	TURN ANGLE LH / RH
1322BN103-13	971623	971986 972246	815326	120HM101 120HM101	1.50-18 UNEF-2A THD	30°-50° 30°-50°
1322BN103-14	971623	971988 972250	815326	120HM101 120HM101	1.50-18 UNEF-2A THD	30°-50° 30°-50°
1322BN103-15	971623	971990 972248	815326	120HM101 120HM101	1.50-18 UNEF-2A THD	30°-50° 30°-50°
1322BN103-16	971620	972648 971833	815326	816367 816366	1.50-18 UNEF-2A THD	41°-45° 36°-40°
1322BN103-17	971620	972650 971839	815326	816367 816366	1.50-18 UNEF-2A THD	41°-45° 36°-40°
1322BN103-18	971733	972097 972099	815326	816367 816367	1.50-18 UNEF-2A THD	41°-45° 41°-45°
1322BN103-19	971746	972097 972099	815326	816367 816367	1.50-18 UNEF-2A THD	41°-45° 41°-45°
1322BN103-20	971733	972126 972128	815326	816367 816367	1.50-18 UNEF-2A THD	41°-45° 41°-45°
1322BN103-21	971623	972106 972248	815326	120HM101 120HM101	1.50-18 UNEF-2A THD	30°-50° 30°-50°
1322BN103-22	971623	972108 972250	815326	120HM101 120HM101	1.50-18 UNEF-2A THD	30°-50° 30°-50°
1322BN103-23	971674	972158 971320	817755	816369 816369	1.50-18 UNEF-2A THD	46°-50° 46°-50°
1322BN103-24	971675	972158 971320	817755	816369 816369	1.50-18 UNEF-2A THD	46°-50° 46°-50°
1322BN103-25	971675	972156 817745	817755	816369 816369	1.50-18 UNEF-2A THD	46°-50° 46°-50°
1322BN103-26	971805	972132 971804	815326	816369 816369	1.50-18 UNEF-2A THD	46°-50° 46°-50°
1322BN103-27	971805	972130 971791	815326	816369 816369	1.50-18 UNEF-2A THD	46°-50° 46°-50°
1322BN103-28	971623	972229 972250	815326	120HM101 120HM101	1.50-18 UNEF-2A THD	30°-50° 30°-50°
1322BN103-29	971623	972310 972250	815326	120HM101 120HM101	1.50-18 UNEF-2A THD	30°-50° 30°-50°
1322BN103-30	971959	972449 971958	815326	816366 816366	1.50-18 UNEF-2A THD	36°-40° 36°-40°
1322BN103-31	972452	972451 971958	815326	816366 816366	1.50-18 UNEF-2A THD	36°-40° 36°-40°
1322BN103-32	971622	972427 972250	815326	120HM101 120HM101	1.50-18 UNEF-2A THD	30°-50° 30°-50°

Axle Specifications E1302-E1322

STEER AXLE ASSEMBLY PART NO.	I-BEAM	KNUCKLE ASSY LH ASSY RH	TIE ROD ASSY	STOP SCREW LH / RH	FRONT STEER SPINDLE NUT	TURN ANGLE LH / RH
1322BN103-33	971622	972420 972246	815326	120HM101 120HM101	1.50-18 UNEF-2A THD	30°-50° 30°-50°
1322BN103-34 RH STEER	971959	972480 972482	815326	816365 816365	1.50-18 UNEF-2A THD	31°-35° 31°-35°
1322BN103-35	971623	972252 972246	815326	120HM101 120HM101	1.50-18 UNEF-2A THD	30°-50° 30°-50°
1322BN103-36	971623	972485 972250	815326	120HM101 120HM101	1.50-18 UNEF-2A THD	30°-50° 30°-50°
1322BN103-37	971623	972512 972246	815326	120HM101 120HM101	1.50-18 UNEF-2A THD	30°-50° 30°-50°
1322BN103-38	972174	971931 971837	815326	816367 816367	1.50-18 UNEF-2A THD	41°-45° 41°-45°
1322BN103-39	972174	971935 971839	815326	816367 816366	1.50-18 UNEF-2A THD	41°-45° 36°-40°
1322BN103-40	972174	971937 971833	815326	816367 816366	1.50-18 UNEF-2A THD	41°-45° 36°-40°
1322BN103-41	972174	971933 971837	815326	816367 816367	1.50-18 UNEF-2A THD	41°-45° 41°-45°
1322BN103-42	972174	971939 971839	815326	816367 816366	1.50-18 UNEF-2A THD	41°-45° 36°-40°
1322BN103-43	972174	971941 971833	815326	816367 816366	1.50-18 UNEF-2A THD	41°-45° 36°-40°
1322BN103-44	972174	971992 971833	815326	816367 816366	1.50-18 UNEF-2A THD	41°-45° 36°-40°
1322BN103-45	972174	971994 971839	815326	816367 816366	1.50-18 UNEF-2A THD	41°-45° 36°-40°
1322BN103-46 RH STEER	972553	972555 972557	815326	816367 816367	1.50-18 UNEF-2A THD	41°-45° 41°-45°
1322BN103-47 RH STEER	972553	972559 972561	815326	816367 816367	1.50-18 UNEF-2A THD	41°-45° 41°-45°
1322BN103-48 RH STEER	972553	972563 972565	815326	816367 816367	1.50-18 UNEF-2A THD	41°-45° 41°-45°
1322BN103-49 RH STEER	971997	972555 972557	815326	816367 816367	1.50-18 UNEF-2A THD	41°-45° 41°-45°
1322BN103-50 RH STEER	971997	972559 972561	815326	816367 816367	1.50-18 UNEF-2A THD	41°-45° 41°-45°
1322BN103-51 RH STEER	971997	972563 972565	815326	816367 816367	1.50-18 UNEF-2A THD	41°-45° 41°-45°
1322BN103-52	971623	972227 972248	815326	120HM101 120HM101	1.50-18 UNEF-2A THD	30°-50° 30°-50°

Axle Specifications E1302-E1322

STEER AXLE ASSEMBLY PART NO.	I-BEAM	KNUCKLE ASSY LH ASSY RH	TIE ROD ASSY	STOP SCREW LH / RH	FRONT STEER SPINDLE NUT	TURN ANGLE LH / RH
1322BN103-53	971623	972593 972260	815326	120HM101 120HM101	1.50-18 UNEF-2A THD	30°-50° 30°-50°
1322BN103-54	971622	972507 972425	817755	120HM101 120HM101	1.50-18 UNEF-2A THD	30°-50° 30°-50°
1322BN103-55	971622	972420 972246	815326	120HM101 120HM101	1.50-18 UNEF-2A THD	30°-50° 30°-50°
1322BN103-56	971621	972687 971845	815326	816365 816365	1.50-18 UNEF-2A THD	31°-35° 31°-35°
1322BN103-57	971622	972270 972250	815326	120HM101 120HM101	1.50-18 UNEF-2A THD	30°-50° 30°-50°
1322BN103-58	971622	972268 972246	815326	120HM101 120HM101	1.50-18 UNEF-2A THD	30°-50° 30°-50°
1322BN103-59	971620	971923 971837	815326	816369 816367	1.50-18 UNEF-2A THD	46°-50° 41°-45°
1322BN103-60	971620	971927 971829	815326	816369 816367	1.50-18 UNEF-2A THD	46°-50° 41°-45°
1322BN103-61	971620	971929 971833	815326	816369 816367	1.50-18 UNEF-2A THD	46°-50° 41°-45°
1322BN103-62 RH STEER	972781	972555 972557	815326	816367 816367	1.50-18 UNEF-2A THD	41°-45° 41°-45°
1322BN103-63 RH STEER	972781	972559 972561	815326	816367 816367	1.50-18 UNEF-2A THD	41°-45° 41°-45°
1322BN103-64 RH STEER	972781	972563 972565	815326	816367 816367	1.50-18 UNEF-2A THD	41°-45° 41°-45°
1322BN103-65 RH STEER	971997	972687 972798	815326	816367 816367	1.50-18 UNEF-2A THD	41°-45° 41°-45°
1322BN103-66	972174	972820 971837	815326	816367 816367	1.50-18 UNEF-2A THD	41°-45° 41°-45°
1322BN103-67	972174	972822 971839	815326	816367 816366	1.50-18 UNEF-2A THD	41°-45° 36°-40°
1322BN103-68	972174	972824 971833	815326	816367 816366	1.50-18 UNEF-2A THD	41°-45° 36°-40°
1322BN103-69	972174	972826 971837	815326	816367 816367	1.50-18 UNEF-2A THD	41°-45° 41°-45°
1322BN103-70	972174	972828 971839	815326	816367 816366	1.50-18 UNEF-2A THD	41°-45° 36°-40°
1322BN103-71	972174	972830 971833	815326	816367 816366	1.50-18 UNEF-2A THD	41°-45° 36°-40°
1322BN103-72	971674	972451 971958	815326	816369 816369	1.50-18 UNEF-2A THD	46°-50° 46°-50°

Axle Specifications E1302-E1322

STEER AXLE ASSEMBLY PART NO.	I-BEAM	KNUCKLE ASSY LH ASSY RH	TIE ROD ASSY	STOP SCREW LH / RH	FRONT STEER SPINDLE NUT	TURN ANGLE LH / RH
1322BN103-73	971674	972903 971100	815326	816369 816369	1.50-18 UNEF-2A THD	46°-50° 46°-50°
1322BN103-74	971674	972905 972286	815326	816369 816369	1.50-18 UNEF-2A THD	46°-50° 46°-50°
1322BN103-77	972174	972926 972938	815326	120HM101 120HM101	1.50-18 UNEF-2A THD	30°-50° 30°-50°
1322BN103-78	972174	972929 972939	815326	120HM101 120HM101	1.50-18 UNEF-2A THD	30°-50° 30°-50°
1322BN103-79	972174	972930 972937	815326	120HM101 120HM101	1.50-18 UNEF-2A THD	30°-50° 30°-50°
1322BN103-80	972174	972925 972938	815326	120HM101 120HM101	1.50-18 UNEF-2A THD	30°-50° 30°-50°
1322BN103-81	972174	972927 972939	815326	120HM101 120HM101	1.50-18 UNEF-2A THD	30°-50° 30°-50°
1322BN103-82	972174	972928 972937	815326	120HM101 120HM101	1.50-18 UNEF-2A THD	30°-50° 30°-50°
1322BN103-83	972174	973010 973026	815326	120HM101 120HM101	1.50-18 UNEF-2A THD	30°-50° 30°-50°
1322BN103-84	972174	973011 973027	815326	120HM101 120HM101	1.50-18 UNEF-2A THD	30°-50° 30°-50°
1322BN103-85	972174	973012 973025	815326	120HM101 120HM101	1.50-18 UNEF-2A THD	30°-50° 30°-50°
1322BN103-86	972174	973038 973054	815326	120HM101 120HM101	1.50-18 UNEF-2A THD	30°-50° 30°-50°
1322BN103-87	972174	973039 973055	815326	120HM101 120HM101	1.50-18 UNEF-2A THD	30°-50° 30°-50°
1322BN103-88	972174	973040 973053	815326	120HM101 120HM101	1.50-18 UNEF-2A THD	30°-50° 30°-50°
1322BN103-89	972174	972926 972938	815326	120HM101 120HM101	1.50-18 UNEF-2A THD	30°-50° 30°-50°
1322BN103-90	972174	972929 972939	815326	120HM101 120HM101	1.50-18 UNEF-2A THD	30°-50° 30°-50°
1322BN103-91	972174	972930 972937	815326	120HM101 120HM101	1.50-18 UNEF-2A THD	30°-50° 30°-50°
1322BN103-92	972174	972925 972938	815326	120HM101 120HM101	1.50-18 UNEF-2A THD	30°-50° 30°-50°
1322BN103-93	972174	972927 972939	815326	120HM101 120HM101	1.50-18 UNEF-2A THD	30°-50° 30°-50°
1322BN103-94	972174	972928 972937	815326	120HM101 120HM101	1.50-18 UNEF-2A THD	30°-50° 30°-50°

Axle Specifications E1302-E1322

STEER AXLE ASSEMBLY PART NO.	I-BEAM	KNUCKLE ASSY LH ASSY RH	TIE ROD ASSY	STOP SCREW LH / RH	FRONT STEER SPINDLE NUT	TURN ANGLE LH / RH
1322BN103-95	971805	973162 973178	815326	816369 816369	1.50-18 UNEF-2A THD	46°-50° 46°-50°
1322BN103-96	971805	973164 973180	815326	816369 816369	1.50-18 UNEF-2A THD	46°-50° 46°-50°
1322BN103-97	971805	973168 973180	815326	816369 816369	1.50-18 UNEF-2A THD	46°-50° 46°-50°
1322BN103-98	971805	973166 973178	815326	816369 816369	1.50-18 UNEF-2A THD	46°-50° 46°-50°
1322BN103-99	971620	973218 973288	815326	120HM101 120HM101	1.50-18 UNEF-2A THD	30°-50° 30°-50°
1322BN103-100	971620	973222 973290	815326	120HM101 120HM101	1.50-18 UNEF-2A THD	30°-50° 30°-50°
1322BN103-101	971620	973224 973286	815326	120HM101 120HM101	1.50-18 UNEF-2A THD	30°-50° 30°-50°
1322BN103-102	971620	973220 973288	815326	120HM101 120HM101	1.50-18 UNEF-2A THD	30°-50° 30°-50°
1322BN103-103	971620	973226 973290	815326	120HM101 120HM101	1.50-18 UNEF-2A THD	30°-50° 30°-50°
1322BN103-104	971620	973228 973286	815326	120HM101 120HM101	1.50-18 UNEF-2A THD	30°-50° 30°-50°
1322BN103-105	971620	973374 973288	815326	120HM101 120HM101	1.50-18 UNEF-2A THD	30°-50° 30°-50°
1322BN103-106	971620	973376 973420	815326	120HM101 120HM101	1.50-18 UNEF-2A THD	30°-50° 30°-50°
1322BN103-107	971620	973378 973286	815326	120HM101 120HM101	1.50-18 UNEF-2A THD	30°-50° 30°-50°
1322BN103-108	972174	973220 973288	815326	120HM101 120HM101	1.50-18 UNEF-2A THD	30°-50° 30°-50°
1322BN103-109	972174	973226 973290	815326	120HM101 120HM101	1.50-18 UNEF-2A THD	30°-50° 30°-50°
1322BN103-110	972174	973228 973286	815326	120HM101 120HM101	1.50-18 UNEF-2A THD	30°-50° 30°-50°
1322BN103-111	972174	973218 973288	815326	120HM101 120HM101	1.50-18 UNEF-2A THD	30°-50° 30°-50°
1322BN103-112	972174	973222 973290	815326	120HM101 120HM101	1.50-18 UNEF-2A THD	30°-50° 30°-50°
1322BN103-113	972174	973224 973286	815326	120HM101 120HM101	1.50-18 UNEF-2A THD	30°-50° 30°-50°
1322BN103-114	972174	973220 973288	815326	120HM101 120HM101	1.50-18 UNEF-2A THD	30°-50° 30°-50°

Axle Specifications E1302-E1322

STEER AXLE ASSEMBLY PART NO.	I-BEAM	KNUCKLE ASSY LH ASSY RH	TIE ROD ASSY	STOP SCREW LH / RH	FRONT STEER SPINDLE NUT	TURN ANGLE LH / RH
1322BN103-115	972174	973226 973290	815326	120HM101 120HM101	1.50-18 UNEF-2A THD	30°-50° 30°-50°
1322BN103-116	972174	973228 973286	815326	120HM101 120HM101	1.50-18 UNEF-2A THD	30°-50° 30°-50°
1322BN103-117	972174	973218 973288	815326	120HM101 120HM101	1.50-18 UNEF-2A THD	30°-50° 30°-50°
1322BN103-118	972174	973222 973290	815326	120HM101 120HM101	1.50-18 UNEF-2A THD	30°-50° 30°-50°
1322BN103-119	972174	973224 973286	815326	120HM101 120HM101	1.50-18 UNEF-2A THD	30°-50° 30°-50°
1322BN103-120	972174	973242 973288	815326	120HM101 120HM101	1.50-18 UNEF-2A THD	30°-50° 30°-50°
1322BN103-121	972174	973244 973290	815326	120HM101 120HM101	1.50-18 UNEF-2A THD	30°-50° 30°-50°
1322BN103-122	972174	973246 973286	815326	120HM101 120HM101	1.50-18 UNEF-2A THD	30°-50° 30°-50°
1322BN103-123	972174	973254 973288	815326	120HM101 120HM101	1.50-18 UNEF-2A THD	30°-50° 30°-50°
1322BN103-124	972174	973256 973290	815326	120HM101 120HM101	1.50-18 UNEF-2A THD	30°-50° 30°-50°
1322BN103-125	972174	973258 973286	815326	120HM101 120HM101	1.50-18 UNEF-2A THD	30°-50° 30°-50°
1322BN103-126	972174	973264 973288	815326	120HM101 120HM101	1.50-18 UNEF-2A THD	30°-50° 30°-50°
1322BN103-127	972174	973266 973290	815326	120HM101 120HM101	1.50-18 UNEF-2A THD	30°-50° 30°-50°
1322BN103-128	972174	973268 973286	815326	120HM101 120HM101	1.50-18 UNEF-2A THD	30°-50° 30°-50°
1322BN104-1	1462TB105-6	971913 817744	971776	816369 816369	1.50-18 UNEF-2A THD	46°-50° 46°-50°
1322BN104-2	1462TB105-6	971917 817740	971776	816369 816369	1.50-18 UNEF-2A THD	46°-50° 46°-50°
1322BN104-3	1462TB105-6	971915 817738	971776	816369 816369	1.50-18 UNEF-2A THD	46°-50° 46°-50°
1322BN104-4	1462TB105-3	817723 817738	971776	816367 816366	1.50-18 UNEF-2A THD	41°-45° 36°-40°
1322BN104-5	1462TB105-3	817729 817744	971776	816369 816369	1.50-18 UNEF-2A THD	46°-50° 46°-50°
1322BN104-6	1462TB105-3	972495 818060	971776	816369 816369	1.50-18 UNEF-2A THD	46°-50° 46°-50°

Axle Specifications E1302-E1322

STEER AXLE ASSEMBLY PART NO.	I-BEAM	KNUCKLE ASSY LH ASSY RH	TIE ROD ASSY	STOP SCREW LH / RH	FRONT STEER SPINDLE NUT	TURN ANGLE LH / RH
1322BN104-7	1462TB105-3	972503 972505	971776	816369 816369	1.50-18 UNEF-2A THD	46°-50° 46°-50°
1322BN104-8	1462TB105-6	817729 817744	971776	816367 816367	1.50-18 UNEF-2A THD	41°-45° 41°-45°
1322BN104-9	1462TB105-6	972495 818060	971776	816367 816367	1.50-18 UNEF-2A THD	41°-45° 41°-45°
1322BN104-10	1462TB105-6	817723 817738	971776	816367 816367	1.50-18 UNEF-2A THD	41°-45° 41°-45°
1322BN104-11	1462TB105-6	972503 972505	971776	816369 816369	1.50-18 UNEF-2A THD	46°-50° 46°-50°
1322BN104-12	1462TB105-8	972583 971613	971776	816369 816369	1.50-18 UNEF-2A THD	46°-50° 46°-50°
1322BN104-13	1462TB105-9	972499 817738	971776	816369 816369	1.50-18 UNEF-2A THD	46°-50° 46°-50°
1322BN104-14	1462TB105-6	972726 972728	971776	816369 816369	1.50-18 UNEF-2A THD	46°-50° 46°-50°
1322BN104-15	1462TB105-3	817723 817738	971776	816367 816366	1.50-18 UNEF-2A THD	41°-45° 36°-40°
1322BN104-16	1462TB105-3	817729 817744	971776	816369 816369	1.50-18 UNEF-2A THD	46°-50° 46°-50°
1322BN104-17	1462TB105-3	972495 818060	971776	816369 816369	1.50-18 UNEF-2A THD	46°-50° 46°-50°
1322BN104-18	1462TB105-6	972850 817744	971776	816367 816367	1.50-18 UNEF-2A THD	41°-45° 41°-45°
1322BN104-19	1462TB105-6	972852 818060	971776	816367 816367	1.50-18 UNEF-2A THD	41°-45° 41°-45°
1322BN104-20	1462TB105-6	972854 817738	971776	816367 816367	1.50-18 UNEF-2A THD	41°-45° 41°-45°
1322BN104-21	1462TB105-3	973210 973278	971776	120HM101 120HM101	1.50-18 UNEF-2A THD	30°-50° 30°-50°
1322BN104-22	1462TB105-3	973230 973282	971776	120HM101 120HM101	1.50-18 UNEF-2A THD	30°-50° 30°-50°
1322BN104-23	1462TB105-6	973212 973280	971776	120HM101 120HM101	1.50-18 UNEF-2A THD	30°-50° 30°-50°
1322BN104-24	1462TB105-6	973230 973282	971776	120HM101 120HM101	1.50-18 UNEF-2A THD	30°-50° 30°-50°
1322BN104-25	1462TB105-6	973210 973278	971776	120HM101 120HM101	1.50-18 UNEF-2A THD	30°-50° 30°-50°
1322BN104-26	1462TB105-6	685234 973280	971776	120HM101 120HM101	1.50-18 UNEF-2A THD	30°-50° 30°-50°

Axle Specifications E1302-E1322

STEER AXLE ASSEMBLY PART NO.	I-BEAM	KNUCKLE ASSY LH ASSY RH	TIE ROD ASSY	STOP SCREW LH / RH	FRONT STEER SPINDLE NUT	TURN ANGLE LH / RH
1322BN104-27	1462TB105-6	685236 973282	971776	120HM101 120HM101	1.50-18 UNEF-2A THD	30°-50° 30°-50°
1322BN104-28	1462TB105-6	685238 973278	971776	120HM101 120HM101	1.50-18 UNEF-2A THD	30°-50° 30°-50°
1322BN105-1	1462TB107-2	971931 971837	971713	816367 816367	1.50-18 UNEF-2A THD	41°-45° 41°-45°
1322BN105-2	1462TB107-2	971935 971839	971713	816367 816366	1.50-18 UNEF-2A THD	41°-45° 36°-40°
1322BN105-3	1462TB107-2	971937 971833	971713	816367 816366	1.50-18 UNEF-2A THD	41°-45° 36°-40°
1322BN105-4	1462TB107-2	971952 971954	971713	816367 816366	1.50-18 UNEF-2A THD	41°-45° 36°-40°
1322BN105-5	1462TB107-3	972043 971100	971713	816367 816367	1.50-18 UNEF-2A THD	41°-45° 41°-45°
1322BN105-6	1462TB107-3	972093 972095	971713	816367 816367	1.50-18 UNEF-2A THD	41°-45° 41°-45°
1322BN105-7	1462TB107-6	972254 972248	971713	120HM101 120HM101	1.50-18 UNEF-2A THD	30°-50° 30°-50°
1322BN105-8	1462TB107-6	972262 972260	971713	120HM101 120HM101	1.50-18 UNEF-2A THD	30°-50° 30°-50°
1322BN105-9	1462TB107-6	972272 972260	971713	120HM101 120HM101	1.50-18 UNEF-2A THD	30°-50° 30°-50°
1322BN105-10	1462TB107-8	972274 972246	971713	120HM101 120HM101	1.50-18 UNEF-2A THD	30°-50° 30°-50°
1322BN105-11	1462TB107-8	972429 972250	971713	120HM101 120HM101	1.50-18 UNEF-2A THD	30°-50° 30°-50°
1322BN105-12	1462TB107-6	972509 972250	971713	120HM101 120HM101	1.50-18 UNEF-2A THD	30°-50° 30°-50°
1322BN105-13	1462TB107-7	971931 971837	971713	816367 816367	1.50-18 UNEF-2A THD	41°-45° 41°-45°
1322BN105-14	1462TB107-7	971935 971839	971713	816367 816366	1.50-18 UNEF-2A THD	41°-45° 36°-40°
1322BN105-15	1462TB107-7	971937 971833	971713	816367 816366	1.50-18 UNEF-2A THD	41°-45° 36°-40°
1322BN105-16	1462TB107-7	971952 971954	971713	816367 816366	1.50-18 UNEF-2A THD	41°-45° 36°-40°
1322BN105-17	1462TB107-8	971986 972246	971713	120HM101 120HM101	1.50-18 UNEF-2A THD	30°-50° 30°-50°
1322BN105-18	1462TB107-6	972256 972246	971713	120HM101 120HM101	1.50-18 UNEF-2A THD	30°-50° 30°-50°

Axle Specifications E1302-E1322

STEER AXLE ASSEMBLY PART NO.	I-BEAM	KNUCKLE ASSY LH ASSY RH	TIE ROD ASSY	STOP SCREW LH / RH	FRONT STEER SPINDLE NUT	TURN ANGLE LH / RH
1322BN105-19	1462TB107-7	972674 972676	815326	818140 818140	1.50-18 UNEF-2A THD	22°-29° 22°-29°
1322BN105-20	1462TB107-6	972678 972246	971713	120HM101 120HM101	1.50-18 UNEF-2A THD	30°-50° 30°-50°
1322BN105-21	1462TB107-8	972274 972246	971713	120HM101 120HM101	1.50-18 UNEF-2A THD	30°-50° 30°-50°
1322BN105-22	1462TB107-8	971986 972246	971713	120HM101 120HM101	1.50-18 UNEF-2A THD	30°-50° 30°-50°
1322BN105-23	1462TB107-8	971988 972250	971713	120HM101 120HM101	1.50-18 UNEF-2A THD	30°-50° 30°-50°
1322BN105-24	1462TB107-2	971931 971837	971713	816367 816367	1.50-18 UNEF-2A THD	41°-45° 41°-45°
1322BN105-25	1462TB107-2	971935 971839	971713	816367 816366	1.50-18 UNEF-2A THD	41°-45° 36°-40°
1322BN105-26	1462TB107-2	971937 971833	971713	816367 816366	1.50-18 UNEF-2A THD	41°-45° 36°-40°
1322BN105-27	1462TB107-7	971931 971837	971713	816367 816367	1.50-18 UNEF-2A THD	41°-45° 41°-45°
1322BN105-28	1462TB107-7	971935 971839	971713	816367 816366	1.50-18 UNEF-2A THD	41°-45° 36°-40°
1322BN105-29	1462TB107-7	971937 971833	971713	816367 816366	1.50-18 UNEF-2A THD	41°-45° 36°-40°
1322BN105-30	1462TB107-7	972826 971837	971713	816367 816367	1.50-18 UNEF-2A THD	41°-45° 41°-45°
1322BN105-31	1462TB107-7	972828 971839	971713	816367 816366	1.50-18 UNEF-2A THD	41°-45° 36°-40°
1322BN105-32	1462TB107-7	972830 971833	971713	816367 816366	1.50-18 UNEF-2A THD	41°-45° 36°-40°
1322BN105-33	1462TB107-2	973218 973288	971713	120HM101 120HM101	1.50-18 UNEF-2A THD	30°-50° 30°-50°
1322BN105-34	1462TB107-2	973222 973290	971713	120HM101 120HM101	1.50-18 UNEF-2A THD	30°-50° 30°-50°
1322BN105-35	1462TB107-2	973224 973286	971713	120HM101 120HM101	1.50-18 UNEF-2A THD	30°-50° 30°-50°
1322BN105-36	1462TB107-7	973218 973288	971713	120HM101 120HM101	1.50-18 UNEF-2A THD	30°-50° 30°-50°
1322BN105-37	1462TB107-7	973222 973290	971713	120HM101 120HM101	1.50-18 UNEF-2A THD	30°-50° 30°-50°
1322BN105-38	1462TB107-7	973224 973286	971713	120HM101 120HM101	1.50-18 UNEF-2A THD	30°-50° 30°-50°

Axle Specifications E1302-E1322

STEER AXLE ASSEMBLY PART NO.	I-BEAM	KNUCKLE ASSY LH ASSY RH	TIE ROD ASSY	STOP SCREW LH / RH	FRONT STEER SPINDLE NUT	TURN ANGLE LH / RH
1322BN105-39	1462TB107-7	973270 973288	971713	120HM101 120HM101	1.50-18 UNEF-2A THD	30°-50° 30°-50°
1322BN105-40	1462TB107-7	973272 973290	971713	120HM101 120HM101	1.50-18 UNEF-2A THD	30°-50° 30°-50°
1322BN105-41	1462TB107-7	973274 973286	971713	120HM101 120HM101	1.50-18 UNEF-2A THD	30°-50° 30°-50°
1322BN105-42	1462TB107-11	972451 971958	971713	816366 816366	1.50-18 UNEF-2A THD	36°-40° 36°-40°
1322BN106-1	1462TB103-2	972236 971963	971092	120HM101	M50 X 2-6h	30°-50° 30°-50°
1322BN106-2	1462TB103-2	972238 971971	971092	120HM101	M50 X 2-6h	30°-50° 30°-50°

Axle Specifications E1462

ASSEMBLY PART NO.	I-BEAM	KNUCKLE ASSY LH ASSY RH	TIE ROD ASSY	STOP SCREW LH / RH	FRONT STEER SPINDLE NUT	TURN ANGLE LH / RH
327928	971359	971486 971488	817755	120HM101 120HM101	1.50-12 UNF-2A THD	30°-50° 30°-50°
327929	971359	971490 971492	817755	120HM101 120HM101	1.50-12 UNF-2A THD	30°-50° 30°-50°
1462BN100-4	971674	970734 817741	817755	816369 816369	1.50-18 UNEF-2A THD	46°-50° 46°-50°
1462BN100-5	971675	970784 970632	817755	816369 816369	1.50-18 UNEF-2A THD	46°-50° 46°-50°
1462BN100-6	971674	970784 970632	817755	816369 816369	1.50-18 UNEF-2A THD	46°-50° 46°-50°
1462BN100-7	972174	818536 817744	817755	816367 816366	1.50-18 UNEF-2A THD	41°-45° 36°-40°
1462BN100-8	972174	818534 817740	817755	816367 816366	1.50-18 UNEF-2A THD	41°-45° 36°-40°
1462BN100-9	972174	818532 817738	817755	816367 816366	1.50-18 UNEF-2A THD	41°-45° 36°-40°
1462BN100-10	972174	819080 817744	817755	816367 816365	1.50-18 UNEF-2A THD	41°-45° 30°-35°
1462BN100-11	972174	819417 817744	817755	816367 816365	1.50-18 UNEF-2A THD	41°-45° 30°-35°
1462BN100-12	972174	819413 818190	817755	816367 816365	1.50-18 UNEF-2A THD	41°-45° 30°-35°
1462BN100-13 RH STEER	972174	818112 970940	817755	816365 816367	1.50-18 UNEF-2A THD	30°-35° 41°-45°
1462BN100-14 RH STEER	972174	971398 971400	817755	816365 816367	1.50-18 UNEF-2A THD	30°-35° 41°-45°
1462BN100-15	971620	817729 817744	817755	816367 816367	1.50-18 UNEF-2A THD	41°-45° 41°-45°
1462BN100-16	971620	818188 818190	817755	816367 816366	1.50-18 UNEF-2A THD	41°-45° 36°-40°
1462BN100-17	971620	817723 817738	817755	816367 816366	1.50-18 UNEF-2A THD	41°-45° 36°-40°
1462BN100-18 DUAL STEER	971620	817729 818110	817755	816367 816367	1.50-18 UNEF-2A THD	41°-45° 41°-45°
1462BN100-19 DUAL STEER	971620	818188 818196	817755	816367 816366	1.50-18 UNEF-2A THD	41°-45° 36°-40°
1462BN100-20 DUAL STEER	971620	817723 818102	817755	816367 816366	1.50-18 UNEF-2A THD	41°-45° 36°-40°
1462BN100-26	971620	970902 817744	817755	816367 816367	1.50-18 UNEF-2A THD	41°-45° 41°-45°

Axle Specifications E1462

ASSEMBLY PART NO.	I-BEAM	KNUCKLE ASSY LH ASSY RH	TIE ROD ASSY	STOP SCREW LH / RH	FRONT STEER SPINDLE NUT	TURN ANGLE LH / RH
1462BN100-27	971620	970900 818190	817755	816367 816366	1.50-18 UNEF-2A THD	41°-45° 36°-40°
1462BN100-28	971620	970904 817738	817755	816367 816366	1.50-18 UNEF-2A THD	41°-45° 36°-40°
1462BN100-29 DUAL STEER	971620	970902 971022	817755	816367 816367	1.50-18 UNEF-2A THD	41°-45° 41°-45°
1462BN100-30 DUAL STEER	971620	970900 971020	817755	816367 816366	1.50-18 UNEF-2A THD	41°-45° 36°-40°
1462BN100-31 DUAL STEER	971620	970904 971024	817755	816367 816366	1.50-18 UNEF-2A THD	41°-45° 36°-40°
1462BN100-32	971620	819390 819396	817755	816367 816367	1.50-18 UNEF-2A THD	41°-45° 41°-45°
1462BN100-33	971620	819388 819394	817755	816367 816366	1.50-18 UNEF-2A THD	41°-45° 36°-40°
1462BN100-34	971620	819386 819392	817755	816367 816366	1.50-18 UNEF-2A THD	41°-45° 36°-40°
1462BN100-35 DUAL STEER	971620	819388 819376	817755	816367 816366	1.50-18 UNEF-2A THD	41°-45° 36°-40°
1462BN100-36	971501	971595 971488	817755	120HM101 120HM101	1.50-12 UNF-2A THD	30°-50° 30°-50°
1462BN100-37	971501	971607 971492	817755	120HM101 120HM101	1.50-12 UNF-2A THD	30°-50° 30°-50°
1462BN100-38	971501	971576 971578	817755	120HM101 120HM101	1.50-12 UNF-2A THD	30°-50° 30°-50°
1462BN100-39	971620	971668 817738	817755	816365 816365	1.50-18 UNEF-2A THD	30°-35° 30°-35°
1462BN100-40	971733	971296 971298	971747	816367 816367	1.50-18 UNEF-2A THD	41°-45° 41°-45°
1462BN100-41	971746	971296 971298	817755	816367 816367	1.50-18 UNEF-2A THD	41°-45° 41°-45°
1462BN100-42	971620	971670 817744	817755	816369 816367	1.50-18 UNEF-2A THD	46°-50° 41°-45°
1462BN100-43	971620	971672 817740	817755	816369 816367	1.50-18 UNEF-2A THD	46°-50° 41°-45°
1462BN100-44	971620	971668 817738	817755	816369 816367	1.50-18 UNEF-2A THD	46°-50° 41°-45°
1462BN100-45	971620	971670 817744	817755	816367 818140	1.50-18 UNEF-2A THD	41°-45° 22°-29°
1462BN100-46	971620	971672 817740	817755	816367 818140	1.50-18 UNEF-2A THD	41°-45° 22°-29°

Axle Specifications E1462

ASSEMBLY PART NO.	I-BEAM	KNUCKLE ASSY LH ASSY RH	TIE ROD ASSY	STOP SCREW LH / RH	FRONT STEER SPINDLE NUT	TURN ANGLE LH / RH
1462BN100-47	971620	971668 817738	817755	816367 818140	1.50-18 UNEF-2A THD	41°-45° 22°-29°
1462BN100-48 DUAL STEER	971620	819386 971752	817755	816367 816366	1.50-18 UNEF-2A THD	41°-45° 36°-40°
1462BN100-49	971733	971310 971312	971747	816367 816367	1.50-18 UNEF-2A THD	41°-45° 41°-45°
1462BN100-50	971622	818932 819897	817755	816366 816366	1.50-18 UNEF-2A THD	36°-40° 36°-40°
1462BN100-52	971622	819007 819897	817755	816366 816366	1.50-18 UNEF-2A THD	36°-40° 36°-40°
1462BN100-54	971622	970552 970570	817755	816366 816366	1.50-18 UNEF-2A THD	36°-40° 36°-40°
1462BN100-56	971622	970698 970700	817755	816366 816366	1.50-18 UNEF-2A THD	36°-40° 36°-40°
1462BN100-58	971622	818934 970570	817755	816366 816366	1.50-18 UNEF-2A THD	36°-40° 36°-40°
1462BN100-60	971622	818936 970700	817755	816366 816366	1.50-18 UNEF-2A THD	36°-40° 36°-40°
1462BN100-62	971623	970670 817744	817755	816367 816367	1.50-18 UNEF-2A THD	41°-45° 41°-45°
1462BN100-63	971623	970638 817744	817755	816369 816369	1.50-18 UNEF-2A THD	46°-50° 46°-50°
1462BN100-64	971623	970948 817744	817755	816369 816369	1.50-18 UNEF-2A THD	46°-50° 46°-50°
1462BN100-65	971623	970640 818060	817755	816369 816369	1.50-18 UNEF-2A THD	46°-50° 46°-50°
1462BN100-66	971623	970950 818060	817755	816369 816369	1.50-18 UNEF-2A THD	46°-50° 46°-50°
1462BN100-67	971623	970642 817738	817755	816369 816369	1.50-18 UNEF-2A THD	46°-50° 46°-50°
1462BN100-68 RH STEER	971997	971999 972005	817755	816367 816367	1.50-18 UNEF-2A THD	41°-45° 41°-45°
1462BN100-69 RH STEER	971997	972001 972007	817755	816367 816367	1.50-18 UNEF-2A THD	41°-45° 41°-45°
1462BN100-70 RH STEER	971997	972003 972009	817755	816367 816367	1.50-18 UNEF-2A THD	41°-45° 41°-45°
1462BN100-71	972020	971473 971320	817755	816369 816369	1.50-18 UNEF-2A THD	46°-50° 46°-50°
1462BN100-72	972021	971591 971320	817755	816369 816369	1.50-18 UNEF-2A THD	46°-50° 46°-50°

Axle Specifications E1462

ASSEMBLY PART NO.	I-BEAM	KNUCKLE ASSY LH ASSY RH	TIE ROD ASSY	STOP SCREW LH / RH	FRONT STEER SPINDLE NUT	TURN ANGLE LH / RH
1462BN100-73	972041	972040 970570	817755	816369 816369	1.50-18 UNEF-2A THD	46°-50° 46°-50°
1462BN100-74	971959	971251 971320	817755	816369 816369	1.50-18 UNEF-2A THD	46°-50° 46°-50°
1462BN100-75	971623	970952 817738	817755	816369 816369	1.50-18 UNEF-2A THD	46°-50° 46°-50°
1462BN100-76	971623	970672 818060	817755	816369 816369	1.50-18 UNEF-2A THD	46°-50° 46°-50°
1462BN100-77	971623	970674 817738	817755	816369 816369	1.50-18 UNEF-2A THD	46°-50° 46°-50°
1462BN100-78	971623	970676 817744	817755	816369 816369	1.50-18 UNEF-2A THD	46°-50° 46°-50°
1462BN100-79	971623	970678 818060	817755	816369 816369	1.50-18 UNEF-2A THD	46°-50° 46°-50°
1462BN100-80	971623	970680 817738	817755	816369 816369	1.50-18 UNEF-2A THD	46°-50° 46°-50°
1462BN100-81	972174	817729 817744	817755	816367 816367	1.50-18 UNEF-2A THD	41°-45° 41°-45°
1462BN100-82	972174	818188 818190	817755	816367 816366	1.50-18 UNEF-2A THD	41°-45° 36°-40°
1462BN100-83	972174	817723 817738	817755	816367 816366	1.50-18 UNEF-2A THD	41°-45° 36°-40°
1462BN100-84 DUAL STEER	972174	817729 818110	817755	816367 816367	1.50-18 UNEF-2A THD	41°-45° 41°-45°
1462BN100-85 DUAL STEER	972174	818188 818196	817755	816367 816366	1.50-18 UNEF-2A THD	41°-45° 36°-40°
1462BN100-86 DUAL STEER	972174	817723 818102	817755	816367 816366	1.50-18 UNEF-2A THD	41°-45° 36°-40°
1462BN100-87	972174	970902 817744	817755	816367 816367	1.50-18 UNEF-2A THD	41°-45° 41°-45°
1462BN100-88	972174	970900 818190	817755	816367 816366	1.50-18 UNEF-2A THD	41°-45° 36°-40°
1462BN100-89	972174	970904 817738	817755	816367 816366	1.50-18 UNEF-2A THD	41°-45° 36°-40°
1462BN100-90 DUAL STEER	972174	970902 971022	817755	816367 816367	1.50-18 UNEF-2A THD	41°-45° 41°-45°
1462BN100-91 DUAL STEER	972174	970900 971020	817755	816367 816366	1.50-18 UNEF-2A THD	41°-45° 36°-40°
1462BN100-92 DUAL STEER	972174	970904 971024	817755	816367 816366	1.50-18 UNEF-2A THD	41°-45° 36°-40°

Axle Specifications E1462

ASSEMBLY PART NO.	I-BEAM	KNUCKLE ASSY LH ASSY RH	TIE ROD ASSY	STOP SCREW LH / RH	FRONT STEER SPINDLE NUT	TURN ANGLE LH / RH
1462BN100-93	972174	819390 819396	817755	816367 816367	1.50-18 UNEF-2A THD	41°-45° 41°-45°
1462BN100-94	972174	819388 819394	817755	816367 816366	1.50-18 UNEF-2A THD	41°-45° 36°-40°
1462BN100-95	972174	819386 819392	817755	816367 816366	1.50-18 UNEF-2A THD	41°-45° 36°-40°
1462BN100-96 DUAL STEER	972174	819388 819376	817755	816367 816366	1.50-18 UNEF-2A THD	41°-45° 36°-40°
1462BN100-97	972174	971668 817738	817755	816365 816365	1.50-18 UNEF-2A THD	30°-35° 30°-35°
1462BN100-98	972174	972224 817738	817755	816367 816366	1.50-18 UNEF-2A THD	41°-45° 36°-40°
1462BN100-99	971623	972276 972278	817755	120HM101 120HM101	1.50-18 UNEF-2A THD	30°-50° 30°-50°
1462BN100-100	972244	972280 972282	817755	120HM101 120HM101	1.50-18 UNEF-2A THD	30°-50° 30°-50°
1462BN100-101	971623	972514 972282	817755	120HM101 120HM101	1.50-18 UNEF-2A THD	30°-50° 30°-50°
1462BN100-102	972244	972507 972425	817755	120HM101 120HM101	1.50-18 UNEF-2A THD	30°-50° 30°-50°
1462BN100-103	972244	972519 972282	817755	120HM101 120HM101	1.50-18 UNEF-2A THD	30°-50° 30°-50°
1462BN100-104	971622	972519 972282	817755	120HM101 120HM101	1.50-18 UNEF-2A THD	30°-50° 30°-50°
1462BN100-105	972174	972527 819394	817755	816367 816366	1.50-18 UNEF-2A THD	41°-45° 36°-40°
1462BN100-106	972174	972529 819396	817755	816367 816367	1.50-18 UNEF-2A THD	41°-45° 41°-45°
1462BN100-107	972174	972531 819392	817755	816367 816366	1.50-18 UNEF-2A THD	41°-45° 36°-40°
1462BN100-108	971622	972533 972425	817755	120HM101 120HM101	1.50-18 UNEF-2A THD	30°-50° 30°-50°
1462BN100-109	971622	972507 972425	817755	120HM101 120HM101	1.50-18 UNEF-2A THD	30°-50° 30°-50°
1462BN100-110	971622	972280 972282	817755	120HM101 120HM101	1.50-18 UNEF-2A THD	30°-50° 30°-50°
1462BN100-111	971623	972423 972425	817755	120HM101 120HM101	1.50-18 UNEF-2A THD	30°-50° 30°-50°
1462BN100-112	971623	972535 972425	817755	120HM101 120HM101	1.50-18 UNEF-2A THD	30°-50° 30°-50°

Axle Specifications E1462

ASSEMBLY PART NO.	I-BEAM	KNUCKLE ASSY LH ASSY RH	TIE ROD ASSY	STOP SCREW LH / RH	FRONT STEER SPINDLE NUT	TURN ANGLE LH / RH
1462BN100-113	971805	972569 972571	817755	816369 816369	1.50-18 UNEF-2A THD	46°-50° 46°-50°
1462BN100-114	971805	972573 972575	817755	816369 816369	1.50-18 UNEF-2A THD	46°-50° 46°-50°
1462BN100-115	971805	972577 972575	817755	816369 816369	1.50-18 UNEF-2A THD	46°-50° 46°-50°
1462BN100-116	971805	972579 972571	817755	816369 816369	1.50-18 UNEF-2A THD	46°-50° 46°-50°
1462BN100-117	972174	972589 972591	817755	816367 816367	1.50-18 UNEF-2A THD	41°-45° 41°-45°
1462BN100-118 RH STEER	971959	972595 972597	817755	816369 816369	1.50-18 UNEF-2A THD	46°-50° 46°-50°
1462BN100-119	971622	972636 972278	817755	120HM101 120HM101	1.50-18 UNEF-2A THD	30°-50° 30°-50°
1462BN100-120	971620	972642 972505	817755	816367 816367	1.50-18 UNEF-2A THD	41°-45° 41°-45°
1462BN100-121	971622	972280 972282	817755	120HM101 120HM101	1.50-18 UNEF-2A THD	30°-50° 30°-50°
1462BN100-122	971501	972670 971488	817755	120HM101 120HM101	1.50-12 UNF-2A THD	30°-50° 30°-50°
1462BN100-123	971501	972668 971578	817755	120HM101 120HM101	1.50-12 UNF-2A THD	30°-50° 30°-50°
1462BN100-124	971620	972660 817738	817755	816367 816366	1.50-18 UNEF-2A THD	41°-45° 36°-40°
1462BN100-125	971620	972662 818060	817755	816367 816366	1.50-18 UNEF-2A THD	41°-45° 36°-40°
1462BN100-126	972174	972664 972666	817755	816367 816367	1.50-18 UNEF-2A THD	41°-45° 41°-45°
1462BN100-127	972683	972685 817744	817755	816370 816370	1.50-18 UNEF-2A THD	51°-55° 51°-55°
1462BN100-128 RH STEER	972696	972656 972658	817755	816369 816369	1.50-18 UNEF-2A THD	41°-45° 41°-45°
1462BN100-129	971622	972519 972282	817755	120HM101 120HM101	1.50-18 UNEF-2A THD	30°-50° 30°-50°
1462BN100-130	971623	972746 972278	817755	120HM101 120HM101	1.50-18 UNEF-2A THD	30°-50° 30°-50°
1462BN100-131 RH STEER	971997	818104 818102	817755	816366 816367	1.50-18 UNEF-2A THD	36°-40° 41°-45°
1462BN100-132	971501	972762 971492	817755	120HM101 120HM101	1.50-12 UNF-2A THD	30°-50° 30°-50°

Axle Specifications E1462

ASSEMBLY PART NO.	I-BEAM	KNUCKLE ASSY LH ASSY RH	TIE ROD ASSY	STOP SCREW LH / RH	FRONT STEER SPINDLE NUT	TURN ANGLE LH / RH
1462BN100-133	971501	972764 971578	817755	120HM101 120HM101	1.50-12 UNF-2A THD	30°-50° 30°-50°
1462BN100-134	971501	972762 971492	817755	120HM101 120HM101	1.50-12 UNF-2A THD	30°-50° 30°-50°
1462BN100-135	971501	972764 971578	817755	120HM101 120HM101	1.50-12 UNF-2A THD	30°-50° 30°-50°
1462BN100-136	971623	972567 972282	817755	120HM101 120HM101	1.50-18 UNEF-2A THD	30°-50° 30°-50°
1462BN100-137 RH STEER	972781	818104 972882	817755	816366 816367	1.50-18 UNEF-2A THD	36°-40° 41°-45°
1462BN100-138 RH STEER	972781	972778 972884	817755	816366 816367	1.50-18 UNEF-2A THD	36°-40° 41°-45°
1462BN100-139 RH STEER	972781	818112 972886	817755	816366 816367	1.50-18 UNEF-2A THD	36°-40° 41°-45°
1462BN100-140 RH STEER	971997	972778 972804	817755	816367 816367	1.50-18 UNEF-2A THD	41°-45° 41°-45°
1462BN100-141 RH STEER	971997	972800 972802	817755	816367 816367	1.50-18 UNEF-2A THD	41°-45° 41°-45°
1462BN100-142 RH STEER	971997	818104 972882	817755	816366 816367	1.50-18 UNEF-2A THD	36°-40° 41°-45°
1462BN100-143 RH STEER	971997	972778 972884	817755	816366 816367	1.50-18 UNEF-2A THD	36°-40° 41°-45°
1462BN100-144 RH STEER	971997	818112 972886	817755	816366 816367	1.50-18 UNEF-2A THD	36°-40° 41°-45°
1462BN100-145 RH STEER	972781	818104 818102	817755	816366 816367	1.50-18 UNEF-2A THD	36°-40° 41°-45°
1462BN100-146 RH STEER	972781	972778 972804	817755	816367 816367	1.50-18 UNEF-2A THD	41°-45° 41°-45°
1462BN100-147 RH STEER	972781	972003 972009	817755	816367 816367	1.50-18 UNEF-2A THD	41°-45° 41°-45°
1462BN100-148 RH STEER	972781	972778 972804	817755	816367 816367	1.50-18 UNEF-2A THD	41°-45° 41°-45°
1462BN100-149 RH STEER	972781	972800 972802	817755	816367 816367	1.50-18 UNEF-2A THD	41°-45° 41°-45°
1462BN100-150	972174	972940 972934	817755	120HM101 120HM101	1.50-18 UNEF-2A THD	30°-50° 30°-50°
1462BN100-151	972174	972923 972936	817755	120HM101 120HM101	1.50-18 UNEF-2A THD	30°-50° 30°-50°
1462BN100-152	972174	972924 972933	817755	120HM101 120HM101	1.50-18 UNEF-2A THD	30°-50° 30°-50°

Axle Specifications E1462

ASSEMBLY PART NO.	I-BEAM	KNUCKLE ASSY LH ASSY RH	TIE ROD ASSY	STOP SCREW LH / RH	FRONT STEER SPINDLE NUT	TURN ANGLE LH / RH
1462BN100-153	972174	972921 972934	817755	120HM101 120HM101	1.50-18 UNEF-2A THD	30°-50° 30°-50°
1462BN100-154	972174	972922 972936	817755	120HM101 120HM101	1.50-18 UNEF-2A THD	30°-50° 30°-50°
1462BN100-155	972174	972920 972933	817755	120HM101 120HM101	1.50-18 UNEF-2A THD	30°-50° 30°-50°
1462BN100-156	972174	973008 973022	817755	120HM101 120HM101	1.50-18 UNEF-2A THD	30°-50° 30°-50°
1462BN100-157	972174	973009 973024	817755	120HM101 120HM101	1.50-18 UNEF-2A THD	30°-50° 30°-50°
1462BN100-158	972174	973007 973021	817755	120HM101 120HM101	1.50-18 UNEF-2A THD	30°-50° 30°-50°
1462BN100-159	973073	972158 971320	817755	816367 816367	1.50-18 UNEF-2A THD	41°-45° 41°-45°
1462BN100-160	971501	973098 973138	817755	120HM101 120HM101	1.50-12 UNF-2A THD	30°-50° 30°-50°
1462BN100-161	971501	973100 973140	817755	120HM101 120HM101	1.50-12 UNF-2A THD	30°-50° 30°-50°
1462BN100-162	971501	973094 973142	817755	120HM101 120HM101	1.50-12 UNF-2A THD	30°-50° 30°-50°
1462BN100-163	971501	973122 973138	817755	120HM101 120HM101	1.50-12 UNF-2A THD	30°-50° 30°-50°
1462BN100-164	971501	973120 973142	817755	120HM101 120HM101	1.50-12 UNF-2A THD	30°-50° 30°-50°
1462BN100-165	971501	973090 973140	817755	120HM101 120HM101	1.50-12 UNF-2A THD	30°-50° 30°-50°
1462BN100-166	971501	973090 973140	817755	120HM101 120HM101	1.50-12 UNF-2A THD	30°-50° 30°-50°
1462BN100-167	971620	973214 973284	817755	120HM101 120HM101	1.50-18 UNEF-2A THD	30°-50° 30°-50°
1462BN100-168	971620	973210 973278	817755	120HM101 120HM101	1.50-18 UNEF-2A THD	30°-50° 30°-50°
1462BN100-169 DUAL STEER	971620	973212 973402	817755	120HM101 120HM101	1.50-18 UNEF-2A THD	30°-50° 30°-50°
1462BN100-170 DUAL STEER	971620	973214 973404	817755	120HM101 120HM101	1.50-18 UNEF-2A THD	30°-50° 30°-50°
1462BN100-171 DUAL STEER	971620	973210 973400	817755	120HM101 120HM101	1.50-18 UNEF-2A THD	30°-50° 30°-50°
1462BN100-172	971620	973352 973284	817755	120HM101 120HM101	1.50-18 UNEF-2A THD	30°-50° 30°-50°

Axle Specifications E1462

ASSEMBLY PART NO.	I-BEAM	KNUCKLE ASSY LH ASSY RH	TIE ROD ASSY	STOP SCREW LH / RH	FRONT STEER SPINDLE NUT	TURN ANGLE LH / RH
1462BN100-173	971620	973216 973278	817755	120HM101 120HM101	1.50-18 UNEF-2A THD	30°-50° 30°-50°
1462BN100-174 DUAL STEER	971620	973352 973414	817755	120HM101 120HM101	1.50-18 UNEF-2A THD	30°-50° 30°-50°
1462BN100-175 DUAL STEER	971620	973216 973416	817755	120HM101 120HM101	1.50-18 UNEF-2A THD	30°-50° 30°-50°
1462BN100-176 DUAL STEER	971620	973358 973406	817755	120HM101 120HM101	1.50-18 UNEF-2A THD	30°-50° 30°-50°
1462BN100-177 DUAL STEER	971620	973356 973418	817755	120HM101 120HM101	1.50-18 UNEF-2A THD	30°-50° 30°-50°
1462BN100-178 DUAL STEER	972174	973212 973402	817755	120HM101 120HM101	1.50-18 UNEF-2A THD	30°-50° 30°-50°
1462BN100-179 DUAL STEER	972174	973214 973404	817755	120HM101 120HM101	1.50-18 UNEF-2A THD	30°-50° 30°-50°
1462BN100-180 DUAL STEER	972174	973210 973400	817755	120HM101 120HM101	1.50-18 UNEF-2A THD	30°-50° 30°-50°
1462BN100-181	972174	973360 973412	817755	120HM101 120HM101	1.50-18 UNEF-2A THD	30°-50° 30°-50°
1462BN100-182	972174	973358 973410	817755	120HM101 120HM101	1.50-18 UNEF-2A THD	30°-50° 30°-50°
1462BN100-183	972174	973356 973408	817755	120HM101 120HM101	1.50-18 UNEF-2A THD	30°-50° 30°-50°
1462BN100-184	972174	973386 973410	817755	120HM101 120HM101	1.50-18 UNEF-2A THD	30°-50° 30°-50°
1462BN100-185	972174	973388 973412	817755	120HM101 120HM101	1.50-18 UNEF-2A THD	30°-50° 30°-50°
1462BN100-186	972174	973390 973408	817755	120HM101 120HM101	1.50-18 UNEF-2A THD	30°-50° 30°-50°
1462BN100-187 RH STEER	971997	973354 973400	817755	120HM101 120HM101	1.50-18 UNEF-2A THD	30°-50° 30°-50°
1462BN100-188	971620	973370 973280	817755	120HM101 120HM101	1.50-18 UNEF-2A THD	30°-50° 30°-50°
1462BN100-189	971620	973372 973398	817755	120HM101 120HM101	1.50-18 UNEF-2A THD	30°-50° 30°-50°
1462BN100-190	971620	973368 973278	817755	120HM101 120HM101	1.50-18 UNEF-2A THD	30°-50° 30°-50°
1462BN100-191	971620	973370 973280	817755	120HM101 120HM101	1.50-18 UNEF-2A THD	30°-50° 30°-50°
1462BN100-192	971620	973372 973398	817755	120HM101 120HM101	1.50-18 UNEF-2A THD	30°-50° 30°-50°

Axle Specifications E1462

ASSEMBLY PART NO.	I-BEAM	KNUCKLE ASSY LH ASSY RH	TIE ROD ASSY	STOP SCREW LH / RH	FRONT STEER SPINDLE NUT	TURN ANGLE LH / RH
1462BN100-193	971620	973368 973278	817755	120HM101 120HM101	1.50-18 UNEF-2A THD	30°-50° 30°-50°
1462BN100-194	972174	973234 973280	817755	120HM101 120HM101	1.50-18 UNEF-2A THD	30°-50° 30°-50°
1462BN100-195	972174	973352 973284	817755	120HM101 120HM101	1.50-18 UNEF-2A THD	30°-50° 30°-50°
1462BN100-196	972174	973216 973278	817755	120HM101 120HM101	1.50-18 UNEF-2A THD	30°-50° 30°-50°
1462BN100-197	972174	973212 973280	817755	120HM101 120HM101	1.50-18 UNEF-2A THD	30°-50° 30°-50°
1462BN100-198	972174	973214 973284	817755	120HM101 120HM101	1.50-18 UNEF-2A THD	30°-50° 30°-50°
1462BN100-199	972174	973210 973278	817755	120HM101 120HM101	1.50-18 UNEF-2A THD	30°-50° 30°-50°
1462BN100-200	972174	973238 973280	817755	120HM101 120HM101	1.50-18 UNEF-2A THD	30°-50° 30°-50°
1462BN100-201	972174	973240 973284	817755	120HM101 120HM101	1.50-18 UNEF-2A THD	30°-50° 30°-50°
1462BN100-202	972174	973236 973278	817755	120HM101 120HM101	1.50-18 UNEF-2A THD	30°-50° 30°-50°
1462BN100-203 RH STEER	972174	973480 973484	817755	120HM101 120HM101	1.50-18 UNEF-2A THD	30°-50° 30°-50°
1462BN100-204 RH STEER	972174	973482 973486	817755	120HM101 120HM101	1.50-18 UNEF-2A THD	30°-50° 30°-50°
1462BN100-205	971805	685252 685254	817755	816369 816369	1.50-18 UNEF-2A THD	46°-50° 46°-50°
1462BN100-206	971805	685256 685258	817755	816369 816369	1.50-18 UNEF-2A THD	46°-50° 46°-50°
1462BN100-207	971805	685260 685258	817755	816369 816369	1.50-18 UNEF-2A THD	46°-50° 46°-50°
1462BN100-208	971805	685262 685254	817755	816369 816369	1.50-18 UNEF-2A THD	46°-50° 46°-50°
1462BN100-213 RH STEER	971675	685276 685282	817755	120HM101 120HM101	1.50-12 UNF-2A THD	40°-45° 40°-45°
1462BN100-214 RH STEER	971675	685278 685284	817755	120HM101 120HM101	1.50-12 UNF-2A THD	40°-45° 40°-45°
1462BN100-215	971359	972764 971578	817755	120HM101 120HM101	1.50-12 UNF-2A THD	30°-50° 30°-50°
1462BN100-216	971359	685356 971492	817755	120HM101 120HM101	1.50-12 UNF-2A THD	30°-50° 30°-50°

Axle Specifications E1462

ASSEMBLY PART NO.	I-BEAM	KNUCKLE ASSY LH ASSY RH	TIE ROD ASSY	STOP SCREW LH / RH	FRONT STEER SPINDLE NUT	TURN ANGLE LH / RH
1462BN100-217	971359	973124 973142	817755	120HM101 120HM101	1.50-12 UNF-2A THD	30°-50° 30°-50°
1462BN100-218	971359	973090 973140	817755	120HM101 120HM101	1.50-12 UNF-2A THD	30°-50° 30°-50°
1462BN101-1	1462TB102-2	971831 971613	971092	816369 816369	1.50-18 UNEF-2A THD	46°-50° 46°-50°
1462BN101-2	1462TB102-4	971243 971245	971092	816369 816369	1.50-18 UNEF-2A THD	46°-50° 46°-50°
1462BN101-3	1462TB102-7	971611 971613	971092	816369 816369	1.50-18 UNEF-2A THD	46°-50° 46°-50°
1462BN101-4	1462TB102-7	971666 971613	971092	816369 816369	1.50-18 UNEF-2A THD	46°-50° 46°-50°
1462BN101-5	1462TB102-8	971627 971589	971092	816367 816367	1.50-18 UNEF-2A THD	41°-45° 41°-45°
1462BN101-6	1462TB102-9	972038 971613	971776	816369 816369	1.50-18 UNEF-2A THD	46°-50° 46°-50°
1462BN101-7	1462TB102-4	971633 971634	971092	816369 816369	1.50-18 UNEF-2A THD	46°-50° 46°-50°
1462BN101-8	1462TB102-11	817729 817744	971092	816367 816367	1.50-18 UNEF-2A THD	41°-45° 41°-45°
1462BN101-9	1462TB102-11	818188 818190	971092	816367 816367	1.50-18 UNEF-2A THD	41°-45° 41°-45°
1462BN101-10	1462TB102-11	817723 817738	971092	816367 816367	1.50-18 UNEF-2A THD	41°-45° 41°-45°
1462BN101-11 DUAL STEER	1462TB102-11	817729 818110	971092	816369 816369	1.50-18 UNEF-2A THD	46°-50° 46°-50°
1462BN101-12 DUAL STEER	1462TB102-11	818188 818196	971092	816369 816369	1.50-18 UNEF-2A THD	46°-50° 46°-50°
1462BN101-13 DUAL STEER	1462TB102-11	817723 818102	971092	816369 816369	1.50-18 UNEF-2A THD	46°-50° 46°-50°
1462BN101-14	1462TB102-11	970902 817744	971092	816367 816367	1.50-18 UNEF-2A THD	41°-45° 41°-45°
1462BN101-15	1462TB102-11	970900 818190	971092	816367 816367	1.50-18 UNEF-2A THD	41°-45° 41°-45°
1462BN101-16	1462TB102-11	970904 817738	971092	816367 816367	1.50-18 UNEF-2A THD	41°-45° 41°-45°
1462BN101-17 DUAL STEER	1462TB102-11	970902 971022	971092	816369 816369	1.50-18 UNEF-2A THD	46°-50° 46°-50°
1462BN101-18 DUAL STEER	1462TB102-11	970900 971020	971092	816369 816369	1.50-18 UNEF-2A THD	46°-50° 46°-50°

Axle Specifications E1462

ASSEMBLY PART NO.	I-BEAM	KNUCKLE ASSY LH ASSY RH	TIE ROD ASSY	STOP SCREW LH / RH	FRONT STEER SPINDLE NUT	TURN ANGLE LH / RH
1462BN101-19 DUAL STEER	1462TB102-11	970904 971024	971092	816369 816369	1.50-18 UNEF-2A THD	46°-50° 46°-50°
1462BN101-20	1462TB102-11	819390 819396	971092	816369 816369	1.50-18 UNEF-2A THD	46°-50° 46°-50°
1462BN101-21	1462TB102-11	819388 819394	971092	816369 816369	1.50-18 UNEF-2A THD	46°-50° 46°-50°
1462BN101-22	1462TB102-11	819386 819392	971092	816369 816369	1.50-18 UNEF-2A THD	46°-50° 46°-50°
1462BN101-23 DUAL STEER	1462TB102-11	819388 819376	971092	816369 816369	1.50-18 UNEF-2A THD	46°-50° 46°-50°
1462BN101-24 DUAL STEER	1462TB102-11	819386 971752	971092	816369 816369	1.50-18 UNEF-2A THD	46°-50° 46°-50°
1462BN101-25	1462TB102-12	972517 971613	971092	816369 816369	1.50-18 UNEF-2A THD	46°-50° 46°-50°
1462BN101-26	1462TB102-10	817723 817738	971092	816369 816369	1.50-18 UNEF-2A THD	46°-50° 46°-50°
1462BN101-27	1462TB102-10	818188 818190	971092	816367 816366	1.50-18 UNEF-2A THD	41°-45° 41°-45°
1462BN101-28	1462TB102-10	970904 817738	971092	816367 816366	1.50-18 UNEF-2A THD	41°-45° 41°-45°
1462BN101-29 DUAL STEER	1462TB102-10	818188 818196	971092	816367 816366	1.50-18 UNEF-2A THD	41°-45° 41°-45°
1462BN101-30 DUAL STEER	1462TB102-10	817723 818102	971092	816369 816369	1.50-18 UNEF-2A THD	46°-50° 46°-50°
1462BN101-31	1462TB102-8	972754 972756	971092	816367 816367	1.50-18 UNEF-2A THD	41°-45° 41°-45°
1462BN101-33	1462TB102-11	818188 818190	971092	816367 816367	1.50-18 UNEF-2A THD	46°-50° 46°-50°
1462BN101-37	1462TB102-11	970904 817738	971092	816367 816367	1.50-18 UNEF-2A THD	46°-50° 46°-50°
1462BN101-38	1462TB102-14	972517 971613	971092	816369 816369	1.50-18 UNEF-2A THD	46°-50° 46°-50°
1462BN101-39	1462TB102-11	972940 972934	971092	120HM101 120HM101	1.50-18 UNEF-2A THD	30°-50° 30°-50°
1462BN101-40	1462TB102-11	972923 972936	971092	120HM101 120HM101	1.50-18 UNEF-2A THD	30°-50° 30°-50°
1462BN101-41	1462TB102-11	972924 972933	971092	120HM101 120HM101	1.50-18 UNEF-2A THD	30°-50° 30°-50°
1462BN101-42	1462TB102-11	972921 972934	971092	120HM101 120HM101	1.50-18 UNEF-2A THD	30°-50° 30°-50°

Axle Specifications E1462

ASSEMBLY PART NO.	I-BEAM	KNUCKLE ASSY LH ASSY RH	TIE ROD ASSY	STOP SCREW LH / RH	FRONT STEER SPINDLE NUT	TURN ANGLE LH / RH
1462BN101-43	1462TB102-11	972922 972936	971092	120HM101 120HM101	1.50-18 UNEF-2A THD	30°-50° 30°-50°
1462BN101-44	1462TB102-11	972920 972933	971092	120HM101 120HM101	1.50-18 UNEF-2A THD	30°-50° 30°-50°
1462BN101-45	1462TB102-15	973070 971634	971092	816369 816369	1.50-18 UNEF-2A THD	46°-50° 46°-50°
1462BN101-46	1462TB102-11	973008 973022	971092	120HM101 120HM101	1.50-18 UNEF-2A THD	30°-50° 30°-50°
1462BN101-47	1462TB102-11	973009 973024	971092	120HM101 120HM101	1.50-18 UNEF-2A THD	30°-50° 30°-50°
1462BN101-48	1462TB102-11	973007 973021	971092	120HM101 120HM101	1.50-18 UNEF-2A THD	30°-50° 30°-50°
1462BN101-49	1462TB102-14	972158 971320	971092	816369 816369	1.50-18 UNEF-2A THD	46°-50° 46°-50°
1462BN101-50	1462TB102-10	973210 973278	971092	120HM101 120HM101	1.50-18 UNEF-2A THD	30°-50° 30°-50°
1462BN101-51	1462TB102-10	973214 973284	971092	120HM101 120HM101	1.50-18 UNEF-2A THD	30°-50° 30°-50°
1462BN101-52	1462TB102-10	973216 973278	971092	120HM101 120HM101	1.50-18 UNEF-2A THD	30°-50° 30°-50°
1462BN101-53 DUAL STEER	1462TB102-10	973214 973404	971092	120HM101 120HM101	1.50-18 UNEF-2A THD	30°-50° 30°-50°
1462BN101-54 DUAL STEER	1462TB102-10	973210 973400	971092	120HM101 120HM101	1.50-18 UNEF-2A THD	30°-50° 30°-50°
1462BN101-55	1462TB102-11	973234 973280	971092	120HM101 120HM101	1.50-18 UNEF-2A THD	30°-50° 30°-50°
1462BN101-56	1462TB102-11	973352 973284	971092	120HM101 120HM101	1.50-18 UNEF-2A THD	30°-50° 30°-50°
1462BN101-57	1462TB102-11	973216 973278	971092	120HM101 120HM101	1.50-18 UNEF-2A THD	30°-50° 30°-50°
1462BN101-58	1462TB102-11	973212 973280	971092	120HM101 120HM101	1.50-18 UNEF-2A THD	30°-50° 30°-50°
1462BN101-59	1462TB102-11	973214 973284	971092	120HM101 120HM101	1.50-18 UNEF-2A THD	30°-50° 30°-50°
1462BN101-60	1462TB102-11	973210 973278	971092	120HM101 120HM101	1.50-18 UNEF-2A THD	30°-50° 30°-50°
1462BN101-61	1462TB102-11	973238 973280	971092	120HM101 120HM101	1.50-18 UNEF-2A THD	30°-50° 30°-50°
1462BN101-62	1462TB102-11	973240 973284	971092	120HM101 120HM101	1.50-18 UNEF-2A THD	30°-50° 30°-50°

Axle Specifications E1462

ASSEMBLY PART NO.	I-BEAM	KNUCKLE ASSY LH ASSY RH	TIE ROD ASSY	STOP SCREW LH / RH	FRONT STEER SPINDLE NUT	TURN ANGLE LH / RH
1462BN101-63	1462TB102-11	973236 973278	971092	120HM101 120HM101	1.50-18 UNEF-2A THD	30°-50° 30°-50°
1462BN101-64	1462TB102-10	973352 973284	971092	120HM101 120HM101	1.50-18 UNEF-2A THD	30°-50° 30°-50°
1462BN101-65 DUAL STEER	1462TB102-10	973352 973414	971092	120HM101 120HM101	1.50-18 UNEF-2A THD	30°-50° 30°-50°
1462BN102-34	1462TB103-12	973077 817738	971092	816369 816369	1.50-18 UNEF-2A THD	46°-50° 46°-50°
1462BN102-35	1462TB103-3	973094 973142	971092	120HM101	1.50-12 UNF-2A THD	30°-50° 30°-50°
1462BN102-36	1462TB103-3	973092 973140	971092	120HM101	1.50-12 UNF-2A THD	30°-50° 30°-50°
1462BN102-37	1462TB103-3	973096 973140	971092	120HM101	1.50-12 UNF-2A THD	30°-50° 30°-50°
1462BN102-38	1462TB103-3	973124 973142	971092	120HM101	1.50-12 UNF-2A THD	30°-50° 30°-50°
1462BN102-39	1462TB103-3	973088 973138	971092	120HM101	1.50-12 UNF-2A THD	30°-50° 30°-50°
1462BN102-40	1462TB103-3	973090 973140	971092	120HM101	1.50-12 UNF-2A THD	30°-50° 30°-50°
1462BN102-41	1462TB103-3	973090 973140	971092	120HM101	1.50-12 UNF-2A THD	30°-50° 30°-50°
1462BN102-42	1462TB103-3	973124 973142	971092	120HM101	1.50-12 UNF-2A THD	30°-50° 30°-50°
1462BN102-43	1462TB103-3	973136 973140	971092	120HM101	1.50-12 UNF-2A THD	30°-50° 30°-50°
1462BN102-44 (R.H. STEER)	1462TB108-4	973092 973150	971092	120HM101	1.50-12 UNF-2A THD	30°-50° 30°-50°
1462BN102-45 (R.H. STEER)	1462TB108-4	973096 973152	971092	120HM101	1.50-12 UNF-2A THD	30°-50° 30°-50°
1462BN102-46	1462TB103-5	685208 973278	971092	120HM101	1.50-18 UNEF-2A THD	30°-50° 30°-50°
1462BN102-47	1462TB103-5	973434 973278	971092	120HM101	1.50-18 UNEF-2A THD	30°-50° 30°-50°
1462BN102-48	1462TB103-5	685270 973280	971092	120HM101	1.50-18 UNEF-2A THD	30°-50° 30°-50°
1462BN102-49	1462TB103-2	973090 973140	971092	120HM101	1.50-12 UNF-2A THD	30°-50° 30°-50°
1462BN102-50	1462TB103-2	973124 973142	971092	120HM101	1.50-12 UNF-2A THD	30°-50° 30°-50°

Axle Specifications E1462

ASSEMBLY PART NO.	I-BEAM	KNUCKLE ASSY LH ASSY RH	TIE ROD ASSY	STOP SCREW LH / RH	FRONT STEER SPINDLE NUT	TURN ANGLE LH / RH
1462BN102-51	1462TB103-5	685204 973398	971092	120HM101	1.50-18 UNEF-2A THD	30°-50° 30°-50°
1462BN102-52	1462TB103-14	685348 970570	971092	816369	1.50-18 UNEF-2A THD	46°-50° 46°-50°
1462BN102-53	1462TB103-13	685360 971298	971092	816369	1.50-18 UNEF-2A THD	46°-50° 46°-50°
1462BN102-54	1462TB108-5	685362 685364	971092	120HM101	1.50-12 UNF-2A THD	30°-50° 30°-50°
1462BN102-55	1462TB108-5	685362 685364	971092	120HM101	1.50-12 UNF-2A THD	30°-50° 30°-50°
1462BN102-56	1462TB103-8	973124 973142	971092	120HM101	1.50-12 UNF-2A THD	30°-50° 30°-50°
1462BN102-57	1462TB103-8	973088 973138	971092	120HM101	1.50-12 UNF-2A THD	30°-50° 30°-50°
1462BN102-58 DUAL STEER	1462TB103-14	685348 685386	971092	816369	1.50-18 UNEF-2A THD	46°-50° 46°-50°
1462BN103-1	1462TB105-6	819417 817744	971776	816369 816369	1.50-18 UNEF-2A THD	50° 50°
1462BN103-2 (R.H. STEER)	1462TB105-4	818104 972243	971776	816369 816369	1.50-18 UNEF-2A THD	50° 50°
1462BN103-3 (LQR)	1462TB105-5	971490 971492	971776	120HM101 120HM101	1.50-12 UNF-2A THD	30°- 50° 30°- 50°
1462BN103-4	1462TB105-6	817729 817744	971776	816367 816367	1.50-18 UNEF-2A THD	41°-45° 41°-45°
1462BN103-5	1462TB105-6	818188 818190	971776	816367 816367	1.50-18 UNEF-2A THD	41°-45° 41°-45°
1462BN103-6	1462TB105-6	817723 817738	971776	816367 816367	1.50-18 UNEF-2A THD	41°-45° 41°-45°
1462BN103-7 DUAL STEER	1462TB105-6	817723 818102	971776	816369 816369	1.50-18 UNEF-2A THD	46°-50° 46°-50°
1462BN103-8 DUAL STEER	1462TB105-6	818188 818196	971776	816369 816369	1.50-18 UNEF-2A THD	46°-50° 46°-50°
1462BN103-9 DUAL STEER	1462TB105-6	817729 818110	971776	816369 816369	1.50-18 UNEF-2A THD	46°-50° 46°-50°
1462BN103-12	1462TB105-3	817723 817738	971776	816369 816369	1.50-18 UNEF-2A THD	46°-50° 46°-50°
1462BN103-13 DUAL STEER	1462TB105-3	817723 818102	971776	816369 816369	1.50-18 UNEF-2A THD	46°-50° 46°-50°
1462BN103-14 DUAL STEER	1462TB105-3	818188 818196	971776	816367 816366	1.50-18 UNEF-2A THD	41°-45° 36°-40°

Axle Specifications E1462

ASSEMBLY PART NO.	I-BEAM	KNUCKLE ASSY LH ASSY RH	TIE ROD ASSY	STOP SCREW LH / RH	FRONT STEER SPINDLE NUT	TURN ANGLE LH / RH
1462BN103-15	1462TB105-6	817729 817744	971776	816369 816369	1.50-18 UNEF-2A THD	46°-50° 46°-50°
1462BN103-16	1462TB105-6	818188 818190	971776	816369 816369	1.50-18 UNEF-2A THD	46°-50° 46°-50°
1462BN103-17	1462TB105-6	817723 817738	971776	816369 816369	1.50-18 UNEF-2A THD	46°-50° 46°-50°
1462BN103-18	1462TB105-3	817723 817738	971776	816369 816369	1.50-18 UNEF-2A THD	46°-50° 46°-50°
1462BN103-19 DUAL STEER	1462TB105-3	817723 818102	971776	816369 816369	1.50-18 UNEF-2A THD	46°-50° 46°-50°
1462BN103-20	1462TB105-11	972776 972278	971776	120HM101 120HM101	1.50-18 UNEF-2A THD	30°- 50° 30°- 50°
1462BN103-21	1462TB105-11	972774 972425	971776	120HM101 120HM101	1.50-18 UNEF-2A THD	30°- 50° 30°- 50°
1462BN103-22	1462TB105-3	818188 818190	971776	816367 816366	1.50-18 UNEF-2A THD	41°-45° 36°-40°
1462BN103-23	1462TB105-6	973362 973280	971776	120HM101 120HM101	1.50-18 UNEF-2A THD	30°-50° 30°-50°
1462BN103-24	1462TB105-3	973210 973278	971776	120HM101 120HM101	1.50-18 UNEF-2A THD	30°-50° 30°-50°
1462BN103-25 DUAL STEER	1462TB105-3	973210 973400	971776	120HM101 120HM101	1.50-18 UNEF-2A THD	30°-50° 30°-50°
1462BN103-26 DUAL STEER	1462TB105-3	973214 973404	971776	120HM101 120HM101	1.50-18 UNEF-2A THD	30°-50° 30°-50°
1462BN103-27	1462TB105-3	973214 973284	971776	120HM101 120HM101	1.50-18 UNEF-2A THD	30°-50° 30°-50°
1462BN103-28	1462TB105-6	973212 973280	971776	120HM101 120HM101	1.50-18 UNEF-2A THD	30°-50° 30°-50°
1462BN103-29	1462TB105-6	973214 973284	971776	120HM101 120HM101	1.50-18 UNEF-2A THD	30°-50° 30°-50°
1462BN103-30	1462TB105-6	973210 973278	971776	120HM101 120HM101	1.50-18 UNEF-2A THD	30°-50° 30°-50°
1462BN103-31	1462TB105-11	685202 973280	971776	120HM101 120HM101	1.50-18 UNEF-2A THD	30°- 50° 30°- 50°
1462BN103-32	1462TB105-11	685208 973278	971776	120HM101 120HM101	1.50-18 UNEF-2A THD	30°- 50° 30°- 50°
1462BN104-1	1462TB107-7	819417 817744	971747	816369 816369	1.50-18 UNEF-2A THD	46°-50° 46°-50°
1462BN104-2	1462TB107-2	817729 817744	971747	816367 816367	1.50-18 UNEF-2A THD	41°-45° 41°-45°

Axle Specifications E1462

ASSEMBLY PART NO.	I-BEAM	KNUCKLE ASSY LH ASSY RH	TIE ROD ASSY	STOP SCREW LH / RH	FRONT STEER SPINDLE NUT	TURN ANGLE LH / RH
1462BN104-3	1462TB107-2	818188 818190	971747	816367 816366	1.50-18 UNEF-2A THD	41°-45° 36°-40°
1462BN104-4	1462TB107-2	817723 817738	971747	816367 816366	1.50-18 UNEF-2A THD	41°-45° 36°-40°
1462BN104-5 DUAL STEER	1462TB107-2	817723 818102	971747	816367 816366	1.50-18 UNEF-2A THD	41°-45° 36°-40°
1462BN104-6 DUAL STEER	1462TB107-2	818188 818196	971747	816367 816366	1.50-18 UNEF-2A THD	41°-45° 36°-40°
1462BN104-7 DUAL STEER	1462TB107-2	817729 818110	971747	816367 816367	1.50-18 UNEF-2A THD	41°-45° 41°-45°
1462BN104-11	1462TB107-3	971301 970700	971747	816367 816367	1.50-18 UNEF-2A THD	41°-45° 41°-45°
1462BN104-12	1462TB107-6	970640 818060	971747	816369 816369	1.50-18 UNEF-2A THD	46°-50° 46°-50°
1462BN104-13	1462TB107-7	817729 817744	971747	816367 816367	1.50-18 UNEF-2A THD	41°-45° 41°-45°
1462BN104-14	1462TB107-7	818188 818190	971747	816367 816366	1.50-18 UNEF-2A THD	41°-45° 36°-40°
1462BN104-15	1462TB107-7	817723 817738	971747	816367 816366	1.50-18 UNEF-2A THD	41°-45° 36°-40°
1462BN104-16 DUAL STEER	1462TB107-7	817723 818102	971747	816367 816366	1.50-18 UNEF-2A THD	41°-45° 36°-40°
1462BN104-17 DUAL STEER	1462TB107-7	818188 818196	971747	816367 816366	1.50-18 UNEF-2A THD	41°-45° 36°-40°
1462BN104-18 DUAL STEER	1462TB107-7	817729 818110	971747	816367 816367	1.50-18 UNEF-2A THD	41°-45° 41°-45°
1462BN104-19	1462TB107-9	972423 972425	971747	120HM101 120HM101	1.50-18 UNEF-2A THD	30°-50° 30°-50°
1462BN104-20	1462TB107-8	972423 972425	971747	120HM101 120HM101	1.50-18 UNEF-2A THD	30°-50° 30°-50°
1462BN104-21	1462TB107-8	972567 972282	971747	120HM101 120HM101	1.50-18 UNEF-2A THD	30°-50° 30°-50°
1462BN104-24	1462TB107-8	972423 972425	971747	120HM101 120HM101	1.50-18 UNEF-2A THD	30°-50° 30°-50°
1462BN104-25 (R.H. STEER)	1462TB107-10	972652 972654	971776	120HM101 120HM101	1.50-18 UNEF-2A THD	30°- 50° 30°- 50°
1462BN104-26 (R.H. STEER)	1462TB107-10	972656 972658	971776	120HM101 120HM101	1.50-18 UNEF-2A THD	30°- 50° 30°- 50°
1462BN104-27	1462TB107-8	972567 972282	971747	120HM101 120HM101	1.50-18 UNEF-2A THD	30°-50° 30°-50°

Axle Specifications E1462

ASSEMBLY PART NO.	I-BEAM	KNUCKLE ASSY LH ASSY RH	TIE ROD ASSY	STOP SCREW LH / RH	FRONT STEER SPINDLE NUT	TURN ANGLE LH / RH
1462BN104-28 (R.H. STEER)	1462TB107-10	972750 972752	971747	120HM101 120HM101	1.50-18 UNEF-2A THD	30°- 50° 30°- 50°
1462BN104-29	1462TB107-2	817729 817744	971747	816367 816367	1.50-18 UNEF-2A THD	41°-45° 41°-45°
1462BN104-30	1462TB107-2	818188 818190	971747	816367 816366	1.50-18 UNEF-2A THD	41°-45° 36°-40°
1462BN104-31	1462TB107-2	817723 817738	971747	816367 816366	1.50-18 UNEF-2A THD	41°-45° 36°-40°
1462BN104-32 DUAL STEER	1462TB107-2	817723 818102	971747	816367 816366	1.50-18 UNEF-2A THD	41°-45° 36°-40°
1462BN104-33 DUAL STEER	1462TB107-2	818188 818196	971747	816367 816366	1.50-18 UNEF-2A THD	41°-45° 36°-40°
1462BN104-34 DUAL STEER	1462TB107-2	817729 818110	971747	816367 816367	1.50-18 UNEF-2A THD	41°-45° 41°-45°
1462BN104-35	1462TB107-7	817729 817744	971747	816367 816367	1.50-18 UNEF-2A THD	41°-45° 41°-45°
1462BN104-36	1462TB107-7	818188 818190	971747	816367 816366	1.50-18 UNEF-2A THD	41°-45° 36°-40°
1462BN104-37	1462TB107-7	817723 817738	971747	816367 816366	1.50-18 UNEF-2A THD	41°-45° 36°-40°
1462BN104-38	1462TB107-8	972746 972278	971747	120HM101 120HM101	1.50-18 UNEF-2A THD	30°-50° 30°-50°
1462BN104-39	1462TB107-2	973212 973280	971747	120HM101 120HM101	1.50-18 UNEF-2A THD	30°-50° 30°-50°
1462BN104-40	1462TB107-2	973214 973284	971747	120HM101 120HM101	1.50-18 UNEF-2A THD	30°-50° 30°-50°
1462BN104-41	1462TB107-2	973210 973278	971747	120HM101 120HM101	1.50-18 UNEF-2A THD	30°-50° 30°-50°
1462BN104-42 DUAL STEER	1462TB107-2	973210 973400	971747	120HM101 120HM101	1.50-18 UNEF-2A THD	30°-50° 30°-50°
1462BN104-43 DUAL STEER	1462TB107-2	973214 973404	971747	120HM101 120HM101	1.50-18 UNEF-2A THD	30°-50° 30°-50°
1462BN104-44 DUAL STEER	1462TB107-2	973212 973402	971747	120HM101 120HM101	1.50-18 UNEF-2A THD	30°-50° 30°-50°
1462BN104-45	1462TB107-7	973212 973280	971747	120HM101 120HM101	1.50-18 UNEF-2A THD	30°-50° 30°-50°
1462BN104-46	1462TB107-7	973214 973284	971747	120HM101 120HM101	1.50-18 UNEF-2A THD	30°-50° 30°-50°
1462BN104-47	1462TB107-7	973210 973278	971747	120HM101 120HM101	1.50-18 UNEF-2A THD	30°-50° 30°-50°

Axle Specifications E1462

ASSEMBLY PART NO.	I-BEAM	KNUCKLE ASSY LH ASSY RH	TIE ROD ASSY	STOP SCREW LH / RH	FRONT STEER SPINDLE NUT	TURN ANGLE LH / RH
1462BN104-48 (RH STEER)	1462TB107-12	685276 685282	971747	120HM101 120HM101	1.50-12 UNF-2A THD	30°-35° 30°-35°
1462BN104-49 (RH STEER)	1462TB107-12	685274 685280	971747	120HM101 120HM101	1.50-12 UNF-2A THD	30°-35° 30°-35°
1462BN104-50	1462TB107-13	971486 971488	971747	120HM101 120HM101	1.50-12 UNF-2A THD	30°-50° 30°-50°
1462BN105-1	1462TB110-2	685266 685268	972694	816369 816369	1.50-18 UNEF-2A THD	46°-50° 46°-50°
1462BN105-2	1462TB110-3	685266 685268	972694	816369 816369	1.50-18 UNEF-2A THD	46°-50° 46°-50°
1462BN105-3	1462TB110-1	685266 685268	972694	816369 816369	1.50-18 UNEF-2A THD	44°-46° 44°-46°

Axle Specifications with Brakes

STEER AXLE ASSEMBLY PART NO.	STEER AXLE BARE ASSEMBLY	BRAKE ASSY LH	BRAKE ASSY RH	HUB & DRUM/ ROTOR	BRAKE TYPE
1002BN200-1	1002BN102-2	329816	329817	440159	HUB/DRUM
1002BN200-2	1002BN102-12	K035474	K035475	440157	HUB/DRUM
1002BN200-3	1002BN102-15	K035474	K035475	440157	HUB/DRUM
1002BN203-1	1002BN103-10	329274	329275	440195	HUB/ROTOR
1002BN203-2	1002BN103-11	329274	329275	440195	HUB/ROTOR
1002BN203-3	1002BN103-12	329274	329275	440195	HUB/ROTOR
1002BN203-4	1002BN103-13	329274	329275	440195	HUB/ROTOR
1002BN203-5	1002BN103-14	329274	329275	440195	HUB/ROTOR
1002BN203-6	1002BN103-15	329274	329275	440195	HUB/ROTOR
1002BN203-7	1002BN103-15	329274	329275	440196	HUB/ROTOR
1002BN203-8	1002BN103-14	329274	329275	440196	HUB/ROTOR
1002BN203-9	1002BN103-13	329274	329275	440196	HUB/ROTOR
1002BN203-10	1002BN103-12	329274	329275	440196	HUB/ROTOR
1002BN203-11	1002BN103-10	329274	329275	440196	HUB/ROTOR
1002BN203-12	1002BN103-11	329274	329275	440196	HUB/ROTOR
1002BN203-13	1002BN103-44	329274	329275	440196	HUB/ROTOR
1002BN203-14	1002BN103-45	329274	329275	440196	HUB/ROTOR
1002BN203-15	1002BN103-46	329274	329275	440196	HUB/ROTOR
1002BN203-16	1002BN103-46	329274	329275	440195	HUB/ROTOR
1002BN203-17	1002BN103-44	329274	329275	440195	HUB/ROTOR
1002BN203-18	1002BN103-45	329274	329275	440195	HUB/ROTOR
1002BN203-19	1002BN103-71	329274	329275	440195	HUB/ROTOR
1002BN203-20	1002BN103-73	329274	329275	440195	HUB/ROTOR
1002BN203-21	1002BN103-72	329274	329275	440195	HUB/ROTOR
1002BN203-22	1002BN103-73	329274	329275	440196	HUB/ROTOR
1002BN203-23	1002BN103-72	329274	329275	440196	HUB/ROTOR
1002BN203-24	1002BN103-71	329274	329275	440196	HUB/ROTOR
1002BN204-3	1002BN103-18	328554	328555	440156	HUB/DRUM
1002BN204-4	1002BN103-39	329506	329507	440158	HUB/DRUM

All brake components are available through Bendix Commercial Vehicle Systems LLC. These parts are listed for reference to assist the fleet owner and parts organizations.

Axle Specifications with Brakes

STEER AXLE ASSEMBLY PART NO.	STEER AXLE BARE ASSEMBLY	BRAKE ASSY LH	BRAKE ASSY RH	HUB & DRUM/ ROTOR	BRAKE TYPE
1202BN200-1	1202BN103-47	329274	329275	440195	HUB/ROTOR
1202BN200-2	1202BN103-48	329274	329275	440195	HUB/ROTOR
1202BN200-3	1202BN103-49	329274	329275	440195	HUB/ROTOR
1202BN200-4	1202BN103-52	329274	329275	440195	HUB/ROTOR
1202BN200-5	1202BN103-48	329274	329275	440196	HUB/ROTOR
1202BN200-6	1202BN103-49	329274	329275	440196	HUB/ROTOR
1202BN200-7	1202BN103-47	329274	329275	440196	HUB/ROTOR
1202BN200-8	1202BN103-52	329274	329275	440196	HUB/ROTOR
1202BN200-9	1202BN103-85	329274	329275	440196	HUB/ROTOR
1202BN200-10	1202BN103-86	329274	329275	440196	HUB/ROTOR
1202BN200-11	1202BN103-86	329274	329275	440195	HUB/ROTOR
1202BN200-12	1202BN103-85	329274	329275	440195	HUB/ROTOR
1202BN200-13	1202BN103-152	329274	329275	440196	HUB/ROTOR
1202BN200-14	1202BN103-157	329274	329275	440195	HUB/ROTOR
1202BN200-15	1202BN103-157	329274	329275	440196	HUB/ROTOR
1202BN200-16	1202BN103-156	329274	329275	440195	HUB/ROTOR
1202BN200-17	1202BN103-152	329274	329275	440195	HUB/ROTOR
1202BN200-18	1202BN103-156	329274	329275	440196	HUB/ROTOR
1202BN200-19	1202BN103-221	329274	329275	440196	HUB/ROTOR
1202BN200-20	1202BN103-220	329274	329275	440196	HUB/ROTOR
1202BN200-21	1202BN103-219	329274	329275	440195	HUB/ROTOR
1202BN200-22	1202BN103-221	329274	329275	440195	HUB/ROTOR
1202BN200-23	1202BN103-219	329274	329275	440196	HUB/ROTOR
1202BN200-24	1202BN103-220	329274	329275	440195	HUB/ROTOR
1202BN200-25	1202BN103-216	329274	329275	440195	HUB/ROTOR
1202BN201-6	1202BN101-8	329506	329507	440163	HUB/DRUM
1202BN201-7	1202BN101-9	329506	329507	440163	HUB/DRUM
1202BN201-8*	1202BN101-60	329506	329507	440163	HUB/DRUM
1202BN201-9	1202BN101-58	329506	329507	440163	HUB/DRUM

All brake components are available through Bendix Commercial Vehicle Systems LLC. These parts are listed for reference to assist the fleet owner and parts organizations.

Axle Specifications with Brakes

STEER AXLE ASSEMBLY PART NO.	STEER AXLE BARE ASSEMBLY	SENSOR SLEEVE (2)	HUB & ROTOR ASSY (2)	ABS SENSOR ASSY (2)	ABS SENSOR CLIP (2)	COMMENTS
1202BN205-16	1202BN103-54	120RT100	440024	976664	976657	Type 14 Air Chambers
1202BN205-17	1202BN103-57	120RT100	440025	818458	818457	Type 18 Air Chambers
1202BN205-18	1202BN103-57	120RT100	440025	976664	976657	Type 14 Air Chambers
1202BN205-26	1202BN103-57	120RT100	440025	976664	976657	Type 18 Air Chambers
1202BN205-27	1202BN103-57	120RT100	440103	976664	976657	Type 18 Air Chambers
1202BN205-29	1202BN103-88	120RT100	440025	976664	976657	Type 14 Air Chambers
1202BN205-30	1202BN103-88	120RT100	440103	976664	976657	Type 14 Air Chambers
1202BN205-32	1202BN103-110	120RT100	440025	976664	976657	Type 14 Air Chambers
1202BN205-33	1202BN103-111	120RT100	440025	976664	976657	Type 14 Air Chambers
1202BN205-34	1202BN103-54	120RT100	440025	976664	976657	Type 14 Air Chambers
1202BN205-35	1202BN103-54	120RT100	440025	976664	976657	Type 18 Air Chambers
1202BN205-36	1202BN103-54	120RT100	440103	976664	976657	Type 14 Air Chambers
1202BN205-37	1202BN103-57	120RT100	440103	976664	976657	Type 14 Air Chambers
1202BN205-38	1202BN103-111	120RT100	440103	976664	976657	Type 14 Air Chambers
1202BN205-39	1202BN103-32	120RT100	440025	976664	976657	Type 14 Air Chambers
1202BN205-40	1202BN103-32	120RT100	440025	976664	976657	Type 18 Air Chambers
1202BN205-41	1202BN103-109	120RT100	440025	976664	976657	Type 18 Air Chambers
1202BN205-42	1202BN103-111	120RT100	440025	976664	976657	Type 18 Air Chambers
1202BN205-43	1202BN103-54	120RT100	440103	976664	976657	Type 18 Air Chambers
1202BN205-44	1202BN103-110	120RT100	440103	976664	976657	Type 18 Air Chambers
1202BN205-45	1202BN103-88	120RT100	440103	976664	976657	Type 18 Air Chambers
1202BN205-46	1202BN103-54	120RT100	440101	976664	976657	Type 18 Air Chambers
1202BN205-47	1202BN103-57	120RT100	440101	976664	976657	Type 18 Air Chambers
1202BN205-48	1202BN103-57	120RT100	440101	976664	976657	Type 14 Air Chambers
1202BN205-49	1202BN103-109	120RT100	440103	976664	976657	Type 14 Air Chambers

All brake components are available through Bendix Commercial Vehicle Systems LLC. These parts are listed for reference to assist the fleet owner and parts organizations.

Axle Specifications with Brakes

STEER AXLE ASSEMBLY PART NO.	STEER AXLE BARE ASSEMBLY	SENSOR SLEEVE (2)	HUB & ROTOR ASSY (2)	ABS SENSOR ASSY (2)	ABS SENSOR CLIP (2)	COMMENTS
1202BN205-50	1202BN103-109	120RT100	440103	976664	976657	Type 18 Air Chambers
1202BN205-51	1202BN103-88	120RT100	440101	976664	976657	Type 18 Air Chambers
1202BN205-52	1202BN103-88	120RT100	440101	976664	976657	Type 14 Air Chambers
1202BN205-53	1202BN103-109	120RT100	440025	976664	976657	Type 14 Air Chambers
1202BN205-54	1202BN103-109	120RT100	440101	976664	976657	Type 14 Air Chambers
1202BN205-55	1202BN103-88	120RT100	440025	976664	976657	Type 18 Air Chambers
1202BN205-56	1202BN103-110	120RT100	440025	976664	976657	Type 18 Air Chambers
1202BN205-57	1202BN103-110	120RT100	440103	976664	976657	Type 14 Air Chambers
1202BN205-58	1202BN103-110	120RT100	440101	976664	976657	Type 18 Air Chambers
1202BN205-59	1202BN103-140	120RT100	440103	976664	976657	Type 18 Air Chambers
1202BN205-60	1202BN103-109	120RT100	440101	976664	976657	Type 18 Air Chambers
1202BN205-61	1202BN103-140	120RT100	440103	976664	976657	Type 14 Air Chambers
1202BN205-62	1202BN103-109	120RT100	440024	976664	976657	Type 18 Air Chambers
1202BN205-63	1202BN103-140	120RT100	440101	976664	976657	Type 18 Air Chambers
1202BN205-64	1202BN103-141	120RT100	440103	976664	976657	Type 18 Air Chambers
1202BN205-65	1202BN103-139	120RT100	440101	976664	976657	Type 18 Air Chambers
1202BN205-66	1202BN103-88	120RT100	440103	976664	976657	Type 14 Air Chambers
1202BN205-67	1202BN103-110	120RT100	440135	976664	976657	Type 18 Air Chambers
1202BN205-68	1202BN103-140	120RT100	440101	976664	976657	Type 18 Air Chambers
1202BN205-69	1202BN103-88	120RT100	440135	976664	976657	Type 18 Air Chambers
1202BN205-70	1202BN103-88	120RT100	440135	976664	976657	Type 18 Air Chambers
1202BN205-71	1202BN103-57	120RT100	440135	976664	976657	Type 14 Air Chambers
1202BN205-72	1202BN103-109	120RT100	440142	976664	976657	Type 18 Air Chambers
1202BN205-73	1202BN103-141	120RT100	440135	976664	976657	Type 14 Air Chambers
1202BN205-75	1202BN103-109	120RT100	440135	976664	976657	Type 18 Air Chambers

All brake components are available through Bendix Commercial Vehicle Systems LLC. These parts are listed for reference to assist the fleet owner and parts organizations.

Axle Specifications with Brakes

STEER AXLE ASSEMBLY PART NO.	STEER AXLE BARE ASSEMBLY	SENSOR SLEEVE (2)	HUB & ROTOR ASSY (2)	ABS SENSOR ASSY (2)	ABS SENSOR CLIP (2)	COMMENTS
1202BN205-76	1202BN103-140	120RT100	440135	976664	976657	Type 14 Air Chambers
1202BN205-77	1202BN103-140	120RT100	440135	976664	976657	Type 18 Air Chambers
1202BN205-78	1202BN103-139	120RT100	440142	976664	976657	Type 18 Air Chambers
1202BN205-79	1202BN103-140	120RT100	440142	976664	976657	Type 18 Air Chambers
1202BN205-80	1202BN103-88	120RT100	440135	976664	976657	Type 14 Air Chambers
1202BN205-81	1202BN103-164	120RT100	440135	976664	976657	Type 18 Air Chambers
1202BN205-82	1202BN103-88	120RT100	440142	976664	976657	Type 14 Air Chambers
1202BN205-83	1202BN103-88	120RT100	440142	976664	976657	Type 18 Air Chambers
1202BN205-84	1202BN103-88	120RT100	440141	976664	976657	Type 14 Air Chambers
1202BN205-85	1202BN103-140	120RT100	440142	976664	976657	Type 18 Air Chambers
1202BN205-86	1202BN103-140	120RT100	440135	976664	976657	Type 18 Air Chambers
1202BN205-87	1202BN103-139	120RT100	440135	976664	976657	Type 18 Air Chambers
1202BN205-88	1202BN103-88	120RT100	440143	976664	976657	Type 18 Air Chambers
1202BN205-89	1202BN103-109	120RT100	440141	976664	976657	Type 18 Air Chambers
1202BN205-90	1202BN103-88	120RT100	440211	976664	976657	Type 18 Air Chambers
1202BN205-91	1202BN103-141	120RT100	440135	976664	976657	Type 18 Air Chambers
1202BN205-92	1202BN103-109	120RT100	440143	976664	976657	Type 14 Air Chambers
1202BN205-93	1202BN103-88	120RT100	440135	976664	976657	Type 14 Air Chambers
1202BN205-94	1202BN103-164	120RT100	440135	976664	976657	Type 18 Air Chambers
1202BN205-95	1202BN103-109	120RT100	440142	976664	976657	Type 14 Air Chambers
1202BN205-96	1202BN103-109	120RT100	440135	976664	976657	Type 14 Air Chambers
1202BN205-97	1202BN103-140	120RT100	440211	976664	976657	Type 18 Air Chambers
1202BN205-98	1202BN103-110	120RT100	440142	976664	976657	Type 18 Air Chambers
1202BN205-99	1202BN103-88	120RT100	440211	976664	976657	Type 18 Air Chambers
1202BN205-100	1202BN103-109	120RT100	440142	976664	976657	Type 18 Air Chambers

All brake components are available through Bendix Commercial Vehicle Systems LLC. These parts are listed for reference to assist the fleet owner and parts organizations.

Axle Specifications with Brakes

STEER AXLE ASSEMBLY PART NO.	STEER AXLE BARE ASSEMBLY	SENSOR SLEEVE (2)	HUB & ROTOR ASSY (2)	ABS SENSOR ASSY (2)	ABS SENSOR CLIP (2)	COMMENTS
1202BN205-101	1202BN103-109	120RT100	440142	976664	976657	Type 14 Air Chambers
1202BN205-102	1202BN103-164	120RT100	440135	976664	976657	Type 18 Air Chambers
1202BN205-103	1202BN103-109	120RT100	440210	976664	976657	Type 18 Air Chambers
1202BN205-104	1202BN103-196	120RT100	440135	976664	976657	Type 18 Air Chambers
1202BN205-105	1202BN103-197	120RT100	440135	976664	976657	Type 18 Air Chambers
1202BN205-106	1202BN103-197	120RT100	440142	976664	976657	Type 18 Air Chambers
1202BN205-107	1202BN103-203	120RT100	440142	976664	976657	Type 18 Air Chambers
1202BN205-108	1202BN103-223	120RT100	440135	976664	976657	Type 18 Air Chambers
1202BN205-109	1202BN103-204	120RT100	440135	976664	976657	Type 18 Air Chambers
1202BN205-110	1202BN103-196	120RT100	440142	976664	976657	Type 18 Air Chambers
1202BN205-111	1202BN103-224	120RT100	440135	976664	976657	Type 18 Air Chambers
1202BN205-112	1202BN103-197	120RT100	440211	976664	976657	Type 18 Air Chambers
1202BN205-113	1202BN103-203	120RT100	440135	976664	976657	Type 18 Air Chambers
1202BN205-114	1202BN103-197	120RT100	440135	976664	976657	Type 14 Air Chambers
1202BN205-115	1202BN103-198	120RT100	440211	976664	976657	Type 18 Air Chambers
1202BN205-116	1202BN103-196	120RT100	440142	976664	976657	Type 18 Air Chambers
1202BN205-117	1202BN103-196	120RT100	440135	976664	976657	Type 18 Air Chambers
1202BN205-118	1202BN103-222	120RT100	440135	976664	976657	Type 18 Air Chambers
1202BN205-119	1202BN103-197	120RT100	440211	976664	976657	Type 14 Air Chambers
1202BN205-120	1202BN103-197	120RT100	440142	976664	976657	Type 14 Air Chambers
1202BN205-121	1202BN103-197	120RT100	440142	976664	976657	Type 18 Air Chambers
1202BN205-122	1202BN103-198	120RT100	440142	976664	976657	Type 18 Air Chambers
1202BN205-123	1202BN103-196	120RT100	440141	976664	976657	Type 18 Air Chambers
1202BN205-124	1202BN103-198	120RT100	440135	976664	976657	Type 18 Air Chambers
1202BN205-125	1202BN103-196	120RT100	440143	976664	976657	Type 14 Air Chambers

All brake components are available through Bendix Commercial Vehicle Systems LLC. These parts are listed for reference to assist the fleet owner and parts organizations.

Axle Specifications with Brakes

STEER AXLE ASSEMBLY PART NO.	STEER AXLE BARE ASSEMBLY	SENSOR SLEEVE (2)	HUB & ROTOR ASSY (2)	ABS SENSOR ASSY (2)	ABS SENSOR CLIP (2)	COMMENTS
1202BN205-126	1202BN103-197	120RT100	440143	976664	976657	Type 18 Air Chambers
1202BN205-127	1202BN103-197	120RT100	440141	976664	976657	Type 18 Air Chambers
1202BN205-128	1202BN103-203	120RT100	440135	976664	976657	Type 18 Air Chambers
1202BN205-129	1202BN103-198	120RT100	440142	976664	976657	Type 18 Air Chambers
1202BN205-130	1202BN103-202	120RT100	440135	976664	976657	Type 18 Air Chambers
1202BN205-131	1202BN103-198	120RT100	440142	976664	976657	Type 14 Air Chambers
1202BN205-132	1202BN103-194	120RT100	440135	976664	976657	Type 18 Air Chambers
1202BN205-133	1202BN103-179	120RT100	440135	976664	976657	Type 18 Air Chambers
1202BN205-134	1202BN103-197	120RT100	440135	976664	976657	Type 18 Air Chambers
1202BN205-135	1202BN103-222	120RT100	440135	976664	976657	Type 18 Air Chambers
1202BN205-136	1202BN103-202	120RT100	440142	976664	976657	Type 18 Air Chambers
1202BN205-137	1202BN103-199	120RT100	440142	976664	976657	Type 18 Air Chambers
1202BN205-138	1202BN103-224	120RT100	440135	976664	976657	Type 18 Air Chambers
1202BN205-139	1202BN103-197	120RT100	440135	976664	976657	Type 14 Air Chambers
1202BN205-140	1202BN103-236	120RT100	440135	976664	976657	Type 18 Air Chambers
1202BN205-141	1202BN103-196	120RT100	440142	976664	976657	Type 14 Air Chambers
1202BN205-142	1202BN103-196	120RT100	440143	976664	976657	Type 18 Air Chambers
1202BN205-143	1202BN103-236	120RT100	440135	976664	976657	Type 18 Air Chambers
1202BN205-144	1202BN103-200	120RT100	440135	976664	976657	Type 18 Air Chambers
1202BN205-145	1202BN103-202	120RT100	440143	976664	976657	Type 18 Air Chambers
1202BN205-146	1202BN103-222	120RT100	440142	976664	976657	Type 18 Air Chambers
1202BN205-147	1202BN103-236	120RT100	440142	976664	976657	Type 18 Air Chambers
1202BN205-148	1202BN103-199	120RT100	440135	976664	976657	Type 18 Air Chambers
1202BN205-149	1202BN103-200	120RT100	440135	976664	976657	Type 18 Air Chambers
1202BN205-150	1202BN103-196	120RT100	440135	976664	976657	Type 14 Air Chambers

All brake components are available through Bendix Commercial Vehicle Systems LLC. These parts are listed for reference to assist the fleet owner and parts organizations.

Axle Specifications with Brakes

STEER AXLE ASSEMBLY PART NO.	STEER AXLE BARE ASSEMBLY	SENSOR SLEEVE (2)	HUB & ROTOR ASSY (2)	ABS SENSOR ASSY (2)	ABS SENSOR CLIP (2)	COMMENTS
1202BN205-151	1202BN103-196	120RT100	440143	976664	976657	Type 14 Air Chambers
1202BN205-152	1202BN103-196	120RT100	440143	976664	976657	Type 18 Air Chambers
1202BN205-153	1202BN103-199	120RT100	440135	976664	976657	Type 18 Air Chambers
1202BN205-154	1202BN103-197	120RT100	440143	976664	976657	Type 14 Air Chambers
1202BN205-155	1202BN103-223	120RT100	440135	976664	976657	Type 18 Air Chambers
1202BN205-156	1202BN103-200	120RT100	440142	976664	976657	Type 18 Air Chambers
1202BN205-157	1202BN103-198	120RT100	440135	976664	976657	Type 14 Air Chambers

All brake components are available through Bendix Commercial Vehicle Systems LLC. These parts are listed for reference to assist the fleet owner and parts organizations.

Axle Specifications with Brakes

STEER AXLE ASSEMBLY PART NO.	STEER AXLE BARE ASSEMBLY	SENSOR SLEEVE (2)	HUB & ROTOR ASSY (2)	ABS SENSOR ASSY (2)	ABS SENSOR CLIP (2)	COMMENTS
1202BN206-15	1202BN101-37	120RT100	440103	976664	976657	Type 18 Air Chambers
1202BN206-16	1202BN101-37	120RT100	440025	976664	976657	Type 18 Air Chambers
1202BN206-26	1202BN101-38	120RT100	440025	976664	976657	Type 14 Air Chambers
1202BN206-27	1202BN101-35	120RT100	440025	976664	976657	Type 14 Air Chambers
1202BN206-28	1202BN101-38	120RT100	440103	976664	976657	Type 18 Air Chambers
1202BN206-29	1202BN101-34	120RT100	440025	976664	976657	Type 18 Air Chambers
1202BN206-30	1202BN101-35	120RT100	440025	976664	976657	Type 18 Air Chambers
1202BN206-31	1202BN101-38	120RT100	440025	976664	976657	Type 14 Air Chambers
1202BN206-32	1202BN101-37	120RT100	440025	976664	976657	Type 14 Air Chambers
1202BN206-33	1202BN101-35	120RT100	440103	976664	976657	Type 14 Air Chambers
1202BN206-34	1202BN101-33	120RT100	440025	976664	976657	Type 14 Air Chambers
1202BN206-35	1202BN101-36	120RT100	440025	976664	976657	Type 14 Air Chambers
1202BN206-36	1202BN101-36	120RT100	440025	976664	976657	Type 18 Air Chambers
1202BN206-37	1202BN101-34	120RT100	440025	976664	976657	Type 14 Air Chambers
1202BN206-38	1202BN101-33	120RT100	440025	976664	976657	Type 14 Air Chambers
1202BN206-39	1202BN101-34	120RT100	440103	976664	976657	Type 18 Air Chambers
1202BN206-40	1202BN101-64	120RT100	440025	976664	976657	Type 18 Air Chambers
1202BN206-41	1202BN101-36	120RT100	440103	976664	976657	Type 14 Air Chambers
1202BN206-42	1202BN101-34	120RT100	440103	976664	976657	Type 14 Air Chambers
1202BN206-43	1202BN101-35	120RT100	440103	976664	976657	Type 18 Air Chambers
1202BN206-44	1202BN101-28	120RT100	440025	976664	976657	Type 18 Air Chambers

All brake components are available through Bendix Commercial Vehicle Systems LLC. These parts are listed for reference to assist the fleet owner and parts organizations.

Axle Specifications with Brakes

STEER AXLE ASSEMBLY PART NO.	STEER AXLE BARE ASSEMBLY	SENSOR SLEEVE (2)	HUB & ROTOR ASSY (2)	ABS SENSOR ASSY (2)	ABS SENSOR CLIP (2)	COMMENTS
1202BN206-45	1202BN101-29	120RT100	440101	976664	976657	Type 18 Air Chambers
1202BN206-46	1202BN101-37	120RT100	440103	976664	976657	Type 14 Air Chambers
1202BN206-47	1202BN101-29	120RT100	440103	976664	976657	Type 18 Air Chambers
1202BN206-48	1202BN101-38	120RT100	440103	976664	976657	Type 14 Air Chambers
1202BN206-49	1202BN101-71	120RT100	440103	976664	976657	Type 18 Air Chambers
1202BN206-50	1202BN101-73	120RT100	440025	976664	976657	Type 14 Air Chambers
1202BN206-51	1202BN101-33	120RT100	440103	976664	976657	Type 18 Air Chambers
1202BN206-52	1202BN101-74	120RT100	440103	976664	976657	Type 18 Air Chambers
1202BN206-53	1202BN101-28	120RT100	440103	976664	976657	Type 18 Air Chambers
1202BN206-54	1202BN101-34	120RT100	440102	976664	976657	Type 14 Air Chambers
1202BN206-55	1202BN101-33	120RT100	440103	976664	976657	Type 14 Air Chambers
1202BN206-56	1202BN101-33	120RT100	440102	976664	976657	Type 14 Air Chambers
1202BN206-57	1202BN101-75	120RT100	5016481	300087	976657	Type 18 Air Chambers
1202BN206-58	1202BN101-72	120RT100	440103	976664	976657	Type 18 Air Chambers
1202BN206-59	1202BN101-73	120RT100	440103	976664	976657	Type 18 Air Chambers
1202BN206-60	1202BN101-78	120RT100	5016481	300087	976657	Type 18 Air Chambers
1202BN206-61	1202BN101-38	120RT100	440103	976664	976657	Type 18 Air Chambers
1202BN206-62	1202BN101-37	120RT100	440102	976664	976657	Type 14 Air Chambers
1202BN206-63	1202BN101-37	120RT100	440135	976664	976657	Type 18 Air Chambers
1202BN206-64	1202BN101-34	120RT100	440135	976664	976657	Type 18 Air Chambers
1202BN206-65	1202BN101-37	120RT100	440135	976664	976657	Type 14 Air Chambers
1202BN206-66	1202BN103-88	120RT100	440135	976664	976657	Type 18 Air Chambers
1202BN206-67	1202BN101-35	120RT100	440101	976664	976657	Type 18 Air Chambers
1202BN206-68	1202BN101-35	120RT100	440103	976664	976657	Type 18 Air Chambers
1202BN206-69	1202BN101-73	120RT100	440103	976664	976657	Type 14 Air Chambers

All brake components are available through Bendix Commercial Vehicle Systems LLC. These parts are listed for reference to assist the fleet owner and parts organizations.

Axle Specifications with Brakes

STEER AXLE ASSEMBLY PART NO.	STEER AXLE BARE ASSEMBLY	SENSOR SLEEVE (2)	HUB & ROTOR ASSY (2)	ABS SENSOR ASSY (2)	ABS SENSOR CLIP (2)	COMMENTS
1202BN206-70	1202BN101-74	120RT100	440135	976664	976657	Type 18 Air Chambers
1202BN206-71	1202BN101-34	120RT100	440143	976664	976657	Type 14 Air Chambers
1202BN206-72	1202BN101-73	120RT100	440025	976664	976657	Type 18 Air Chambers
1202BN206-73	1202BN101-33	120RT100	440135	976664	976657	Type 18 Air Chambers
1202BN206-74	1202BN101-37	120RT100	440135	976664	976657	Type 14 Air Chambers
1202BN206-75	1202BN101-73	120RT100	440135	976664	976657	Type 14 Air Chambers
1202BN206-76	1202BN101-74	120RT100	440135	976664	976657	Type 18 Air Chambers
1202BN206-77	1202BN101-34	120RT100	440135	976664	976657	Type 18 Air Chambers
1202BN206-78	1202BN101-35	120RT100	440135	976664	976657	Type 18 Air Chambers
1202BN206-79	1202BN101-33	120RT100	440135	976664	976657	Type 14 Air Chambers
1202BN206-80	1202BN101-34	120RT100	440135	976664	976657	Type 14 Air Chambers
1202BN206-81	1202BN101-35	120RT100	440142	976664	976657	Type 18 Air Chambers
1202BN206-82	1202BN101-73	120RT100	440135	976664	976657	Type 18 Air Chambers
1202BN206-83	1202BN101-112	120RT100	440143	976664	976657	Type 18 Air Chambers
1202BN206-84	1202BN101-112	120RT100	440142	976664	976657	Type 18 Air Chambers
1202BN206-85	1202BN101-113	120RT100	440135	976664	976657	Type 18 Air Chambers
1202BN206-86	1202BN101-139	120RT100	440135	976664	976657	Type 18 Air Chambers
1202BN206-87	1202BN101-98	120RT100	440135	976664	976657	Type 18 Air Chambers
1202BN206-88	1202BN101-112	120RT100	440135	976664	976657	Type 18 Air Chambers
1202BN206-89	1202BN101-117	120RT100	440135	976664	976657	Type 18 Air Chambers
1202BN206-90	1202BN101-113	120RT100	440142	976664	976657	Type 18 Air Chambers
1202BN206-91	1202BN101-111	120RT100	440211	976664	976657	Type 18 Air Chambers
1202BN206-92	1202BN101-140	120RT100	440135	976664	976657	Type 18 Air Chambers

All brake components are available through Bendix Commercial Vehicle Systems LLC. These parts are listed for reference to assist the fleet owner and parts organizations.

Axle Specifications with Brakes

STEER AXLE ASSEMBLY PART NO.	STEER AXLE BARE ASSEMBLY	HUB & ROTOR ASSY (2)	ABS SENSOR ASSY (2)	ABS SENSOR SLEEVE (2)
1322BN200-1	1322BN104-12	976035	976663	976657
1322BN201-1	1322BN101-1	976035	976663	976657
1322BN201-2	1322BN101-2	976035	976663	976657
1322BN201-3	1322BN101-3	976035	976663	976657
1322BN201-4	1322BN101-4	976035	976663	976657
1322BN201-5	1322BN101-5	976035	976663	976657
1322BN201-6	1322BN101-6	976035	976663	976657
1322BN201-7	1322BN101-7	976035	976663	976657
1322BN201-8	1322BN101-8	976035	976663	976657
1322BN201-9	1322BN101-9	976035	976663	976657
1322BN201-10	1322BN101-26	976035	976663	976657

All brake components are available through Bendix Commercial Vehicle Systems LLC. These parts are listed for reference to assist the fleet owner and parts organizations.

Axle Specifications with Brakes

STEER AXLE ASSEMBLY PART NO.	STEER AXLE BARE ASSEMBLY	BRAKE ASSY LH	BRAKE ASSY RH	HUB & DRUM LH	ABS SENSOR ASSY (2)	ABS SENSOR SLEEVE (2)
1322BN202-1	1322BN103-12	329508	329509	440150	976663	976657
1322BN202-2	1322BN103-12	329508	329509	440150	-	-
1322BN202-3	1322BN103-12	329508	329509	440150	-	-
1322BN202-4	1322BN103-12	329508	329509	974949	976663	976657
1322BN202-5	1322BN103-12	329508	329509	974949	-	-
1322BN202-6	1322BN103-12	329508	329509	974949	976663	976657
1322BN202-7	1322BN103-12	328440	328441	440150	-	-
1322BN202-8	1322BN103-12	329508	329509	974949	-	-
1322BN202-9	1322BN103-23	316684	316685	-	-	974014
1322BN202-11	1322BN103-24	330148	330149	440159	-	974014
1322BN202-12	1322BN103-24	330148	330149	-	-	974014
1322BN202-14	1322BN103-23	316684	316685	819046	-	974014
1322BN202-15	1322BN103-12	318346	318347	440154	976663	976657
1322BN202-16	1322BN103-12	329508	329509	440150	-	-
1322BN202-17	1322BN103-30	329508	329509	440150	-	-
1322BN202-18	1322BN103-31	330788	330789	440157	-	-
1322BN202-20	1322BN103-31	K154362	K154363	440154	-	-
1322BN202-21	1322BN103-12	318346	318347	440235	-	-
1322BN202-22 (RH STEER)	1322BN103-34	329508	329509	440150	-	-
1322BN202-23	1322BN103-31	K154366	K154367	974949	-	-
1322BN202-24	1322BN103-31	K154364	K154365	974949	-	-
1322BN202-25	1322BN103-19	327735	327734	974949	976663	976657
1322BN202-26	1322BN103-56	317100	317101	-	-	-
1322BN202-27	1322BN103-12	318346	318347	440235	-	-
1322BN202-28	1322BN103-12	329508	329509	974949	-	-
1322BN202-29	1322BN103-12	318346	318347	440154	-	-
1322BN202-30	1322BN103-31	K037230	K037231	974949	-	-
1322BN202-31*	1322BN103-72	K036620	K036621	440071Asy	976664	976657
1322BN202-32*	1322BN103-74	K036620	K036621	440071Asy	976664	976657
1322BN202-33	1322BN103-12	318346	318347	440160	-	-
1322BN202-34	1322BN103-12	328440	328441	440158	-	-
1322BN203-1	1322BN102-3	326714	326715	440158	-	-
1322BN203-2	1322BN102-21	K036620	K036621	440154	300087	976657
1322BN204-3	1322BN101-27	329506	329507	440163	976663	976657
1322BN204-4	1322BN101-56	K036620	K036621		976664	976657

All brake components are available through Bendix Commercial Vehicle Systems LLC. These parts are listed for reference to assist the fleet owner and parts organizations.

Axle Specifications with Brakes

STEER AXLE ASSEMBLY PART NO.	STEER AXLE BARE ASSEMBLY	BRAKE ASSY LH	BRAKE ASSY RH	HUB & DRUM LH	HUB & DRUM RH
1322BN206-1	1322BN105-19	327176	327177	974949	974949
1322BN206-2	1322BN105-42	K154362	K154363	440154	440154

STEER AXLE ASSEMBLY PART NO.	STEER AXLE BARE ASSEMBLY	BRAKE MODULE LH	BRAKE MODULE RH	HUB & ROTOR ASSY (2)
1322BN207-1	1322BN101-30	329274	329275	440195

STEER AXLE ASSEMBLY PART NO.	STEER AXLE BARE ASSEMBLY	HUB & ROTOR ASSY (2)	ABS SENSOR ASSY (2)	ABS SENSOR CLIP (2)	COMMENTS
1322BN208-1	1322BN104-10	440102	976664	976657	Type 16 Air Chambers
1322BN208-2	1322BN104-4	440025	976664	976657	Type 14 Air Chambers
1322BN208-3	1322BN104-6	440025	976664	976657	Type 14 Air Chambers
1322BN208-4	1322BN104-4	440025	976664	976657	Type 18 Air Chambers
1322BN208-5	1322BN104-10	440025	976664	976657	Type 18 Air Chambers
1322BN208-6	1322BN104-10	440025	976664	976657	Type 14 Air Chambers
1322BN208-7	1322BN104-6	440025	976664	976657	Type 18 Air Chambers
1322BN208-8	1322BN104-10	440103	976664	976657	Type 14 Air Chambers
1322BN208-9	1322BN104-8	440103	976664	976657	Type 18 Air Chambers
1322BN208-10	1322BN104-9	440103	976664	976657	Type 14 Air Chambers
1322BN208-11	1322BN104-4	440101	976664	976657	Type 18 Air Chambers
1322BN208-12	1322BN104-4	440103	976664	976657	Type 14 Air Chambers
1322BN208-13	1322BN104-10	440103	976664	976657	Type 18 Air Chambers
1322BN208-14	1322BN104-4	440103	976664	976657	Type 18 Air Chambers
1322BN208-15	1322BN104-6	440103	976664	976657	Type 14 Air Chambers
1322BN208-16	1322BN104-4	440101	976664	976657	Type 14 Air Chambers
1322BN208-17	1322BN104-20	440103	976664	976657	Type 18 Air Chambers
1322BN208-18	1322BN104-20	440103	976664	976657	Type 14 Air Chambers
1322BN208-19	1322BN104-6	440101	976664	976657	Type 18 Air Chambers
1322BN208-20	1322BN104-10	440135	976664	976657	Type 18 Air Chambers
1322BN208-21	1322BN104-4	440025	976664	976657	Type 18 Air Chambers
1322BN208-22	1322BN104-4	440135	976664	976657	Type 18 Air Chambers
1322BN208-23	1322BN104-6	440142	976664	976657	Type 18 Air Chambers
1322BN208-24	1322BN104-6	440135	976664	976657	Type 14 Air Chambers
1322BN208-25	1322BN104-4	440142	976664	976657	Type 14 Air Chambers
1322BN208-26	1322BN104-4	440135	976664	976657	Type 14 Air Chambers
1322BN208-27	1322BN104-4	440135	976664	976657	Type 18 Air Chambers
1322BN208-28	1322BN104-10	440142	976664	976657	Type 18 Air Chambers

All brake components are available through Bendix Commercial Vehicle Systems LLC. These parts are listed for reference to assist the fleet owner and parts organizations.

Axle Specifications with Brakes

STEER AXLE ASSEMBLY PART NO.	STEER AXLE BARE ASSEMBLY	HUB & ROTOR ASSY (2)	ABS SENSOR ASSY (2)	ABS SENSOR CLIP (2)	COMMENTS
1322BN208-29	1322BN104-4	440142	976664	976657	Type 18 Air Chambers
1322BN208-30	1322BN104-9	440135	976664	976657	Type 18 Air Chambers
1322BN208-31	1322BN104-6	440211	976664	976657	Type 18 Air Chambers
1322BN208-32	1322BN104-10	440142	976664	976657	Type 18 Air Chambers
1322BN208-33	1322BN104-4	440211	976664	976657	Type 18 Air Chambers
1322BN208-34	1322BN104-4	440142	976664	976657	Type 18 Air Chambers
1322BN208-35	1322BN104-4	440211	976664	976657	Type 18 Air Chambers
1322BN208-36	1322BN104-4	440135	976664	976657	Type 14 Air Chambers
1322BN208-37	1322BN104-21	440135	976664	976657	Type 18 Air Chambers
1322BN208-38	1322BN104-21	440142	976664	976657	Type 14 Air Chambers
1322BN208-39	1322BN104-25	440142	976664	976657	Type 18 Air Chambers
1322BN208-40	1322BN104-22	440142	976664	976657	Type 18 Air Chambers
1322BN208-41	1322BN104-21	440135	976664	976657	Type 18 Air Chambers
1322BN208-42	1322BN104-21	440142	976664	976657	Type 18 Air Chambers
1322BN208-43	1322BN104-25	440135	976664	976657	Type 18 Air Chambers
1322BN208-44	1322BN104-25	440135	976664	976657	Type 18 Air Chambers
1322BN208-45	1322BN104-22	440142	976664	976657	Type 18 Air Chambers
1322BN208-46	1322BN104-21	440135	976664	976657	Type 14 Air Chambers
1322BN208-47	1322BN104-21	440142	976664	976657	Type 18 Air Chambers
1322BN208-48	1322BN104-22	440135	976664	976657	Type 18 Air Chambers
1322BN208-49	1322BN104-24	440142	976664	976657	Type 18 Air Chambers
1322BN208-50	1322BN104-24	440135	976664	976657	Type 18 Air Chambers
1322BN208-51	1322BN104-25	440142	976664	976657	Type 18 Air Chambers
1322BN208-52	1322BN104-22	440135	976664	976657	Type 18 Air Chambers
1322BN208-53	1322BN104-21	440211	976664	976657	Type 18 Air Chambers

STEER AXLE ASSEMBLY PART NO.	STEER AXLE BARE ASSEMBLY	BRAKE ASSY LH	BRAKE ASSY RH	HUB & DRUM LH
1322BN209-1	1322BN104-13	331416	331417	440157
1322BN209-2	1322BN104-13	331416	331417	440157

All brake components are available through Bendix Commercial Vehicle Systems LLC. These parts are listed for reference to assist the fleet owner and parts organizations.

Axle Specifications with Brakes

STEER AXLE ASSEMBLY PART NO.	STEER AXLE BARE ASSEMBLY	ABS SENSOR SLEEVE (2)	HUB & ROTOR ASSY (2)	ABS SENSOR ASSY (2)	ABS SENSOR CLIP (2)	COMMENTS
1322BN210-1	1322BN103-42	120RT100	440025	976664	976657	Type 14 Air Chambers
1322BN210-2	1322BN103-42	120RT100	440103	976664	976657	Type 18 Air Chambers
1322BN210-3	1322BN103-42	120RT100	440025	976664	976657	Type 18 Air Chambers
1322BN210-4	1322BN103-42	120RT100	440103	976664	976657	Type 14 Air Chambers
1322BN210-5	1322BN103-8	120RT100	440025	976664	976657	Type 14 Air Chambers
1322BN210-6	1322BN103-43	120RT100	440025	976664	976657	Type 18 Air Chambers
1322BN210-7	1322BN103-8	120RT100	440025	976664	976657	Type 18 Air Chambers
1322BN210-8	1322BN103-41	120RT100	440025	976664	976657	Type 14 Air Chambers
1322BN210-9	1322BN103-42	120RT100	440101	976664	976657	Type 18 Air Chambers
1322BN210-10	1322BN103-43	120RT100	440101	976664	976657	Type 18 Air Chambers
1322BN210-11	1322BN103-43	120RT100	440103	976664	976657	Type 18 Air Chambers
1322BN210-12	1322BN103-43	120RT100	440025	976664	976657	Type 14 Air Chambers
1322BN210-13	1322BN103-8	120RT100	440103	976664	976657	Type 18 Air Chambers
1322BN210-14	1322BN103-39	120RT100	440025	976664	976657	Type 14 Air Chambers
1322BN210-15	1322BN103-39	120RT100	440103	976664	976657	Type 14 Air Chambers
1322BN210-16	1322BN103-40	120RT100	440025	976664	976657	Type 14 Air Chambers
1322BN210-17	1322BN103-39	120RT100	440103	976664	976657	Type 18 Air Chambers
1322BN210-18	1322BN103-38	120RT100	440101	976664	976657	Type 18 Air Chambers
1322BN210-19	1322BN103-39	120RT100	440101	976664	976657	Type 18 Air Chambers
1322BN210-20	1322BN103-40	120RT100	440103	976664	976657	Type 18 Air Chambers
1322BN210-21	1322BN103-39	120RT100	440025	976664	976657	Type 18 Air Chambers
1322BN210-22	1322BN103-39	120RT100	440101	976664	976657	Type 14 Air Chambers
1322BN210-23	1322BN103-70	120RT100	440025	976664	976657	Type 14 Air Chambers
1322BN210-24	1322BN103-8	120RT100	440101	976664	976657	Type 14 Air Chambers
1322BN210-25	1322BN103-70	120RT100	440025	976664	976657	Type 18 Air Chambers
1322BN210-26	1322BN103-40	120RT100	440101	976664	976657	Type 18 Air Chambers
1322BN210-27	1322BN103-39	120RT100	440100	976664	976657	Type 18 Air Chambers
1322BN210-28	1322BN103-70	120RT100	440101	976664	976657	Type 18 Air Chambers
1322BN210-29	1322BN103-39	120RT100	440024	976664	976657	Type 18 Air Chambers
1322BN210-30	1322BN103-70	120RT100	440101	976664	976657	Type 14 Air Chambers
1322BN210-31	1322BN103-69	120RT100	440101	976664	976657	Type 18 Air Chambers
1322BN210-32	1322BN103-38	120RT100	440025	976664	976657	Type 18 Air Chambers
1322BN210-33	1322BN103-7	120RT100	440103	976664	976657	Type 14 Air Chambers
1322BN210-34	1322BN103-71	120RT100	440103	976664	976657	Type 18 Air Chambers
1322BN210-35	1322BN103-38	120RT100	440103	976664	976657	Type 18 Air Chambers
1322BN210-36	1322BN103-70	120RT100	440103	976664	976657	Type 14 Air Chambers
1322BN210-37	1322BN103-40	120RT100	440103	976664	976657	Type 14 Air Chambers
1322BN210-38	1322BN103-70	120RT100	440103	976664	976657	Type 18 Air Chambers
1322BN210-39	1322BN103-40	120RT100	440135	976664	976657	Type 18 Air Chambers
1322BN210-40	1322BN103-70	120RT100	440135	976664	976657	Type 18 Air Chambers

All brake components are available through Bendix Commercial Vehicle Systems LLC. These parts are listed for reference to assist the fleet owner and parts organizations.

Axle Specifications with Brakes

STEER AXLE ASSEMBLY PART NO.	STEER AXLE BARE ASSEMBLY	ABS SENSOR SLEEVE (2)	HUB & ROTOR ASSY (2)	ABS SENSOR ASSY (2)	ABS SENSOR CLIP (2)	COMMENTS
1322BN210-41	1322BN103-71	120RT100	440103	976664	976657	Type 14 Air Chambers
1322BN210-42	1322BN103-39	120RT100	440103	976664	976657	Type 18 Air Chambers
1322BN210-43	1322BN103-71	120RT100	440025	976664	976657	Type 14 Air Chambers
1322BN210-44	1322BN103-71	120RT100	440101	976664	976657	Type 18 Air Chambers
1322BN210-45	1322BN103-39	120RT100	440135	976664	976657	Type 14 Air Chambers
1322BN210-46	1322BN103-40	120RT100	440135	976664	976657	Type 14 Air Chambers
1322BN210-47	1322BN103-70	120RT100	440142	976664	976657	Type 18 Air Chambers
1322BN210-49	1322BN103-70	120RT100	440135	976664	976657	Type 14 Air Chambers
1322BN210-50	1322BN103-70	120RT100	440142	976664	976657	Type 14 Air Chambers
1322BN210-51	1322BN103-71	120RT100	440135	976664	976657	Type 14 Air Chambers
1322BN210-52	1322BN103-71	120RT100	440142	976664	976657	Type 18 Air Chambers
1322BN210-53	1322BN103-39	120RT100	440135	976664	976657	Type 18 Air Chambers
1322BN210-54	1322BN103-39	120RT100	440142	976664	976657	Type 18 Air Chambers
1322BN210-55	1322BN103-38	120RT100	440135	976664	976657	Type 18 Air Chambers
1322BN210-56	1322BN103-38	120RT100	440142	976664	976657	Type 18 Air Chambers
1322BN210-57	1322BN103-39	120RT100	440142	976664	976657	Type 14 Air Chambers
1322BN210-58	1322BN103-40	120RT100	440142	976664	976657	Type 18 Air Chambers
1322BN210-59	1322BN103-71	120RT100	440135	976664	976657	Type 18 Air Chambers
1322BN210-60	1322BN103-39	120RT100	440142	976664	976657	Type 18 Air Chambers
1322BN210-61	1322BN103-7	120RT100	440135	976664	976657	Type 18 Air Chambers
1322BN210-62	1322BN103-69	120RT100	440142	976664	976657	Type 18 Air Chambers
1322BN210-63	1322BN103-70	120RT100	440135	976664	976657	Type 18 Air Chambers
1322BN210-64	1322BN103-42	120RT100	440135	976664	976657	Type 18 Air Chambers
1322BN210-65	1322BN103-8	120RT100	440135	976664	976657	Type 18 Air Chambers
1322BN210-66	1322BN103-69	120RT100	440025	976664	976657	Type 18 Air Chambers
1322BN210-67	1322BN103-70	120RT100	440135	976664	976657	Type 14 Air Chambers
1322BN210-68	1322BN103-39	120RT100	440211	976664	976657	Type 14 Air Chambers
1322BN210-69	1322BN103-71	120RT100	440135	976664	976657	Type 18 Air Chambers
1322BN210-70	1322BN103-70	120RT100	440211	976664	976657	Type 14 Air Chambers
1322BN210-71	1322BN103-70	120RT100	440142	976664	976657	Type 14 Air Chambers
1322BN210-72	1322BN103-83	120RT100	440135	976664	976657	Type 18 Air Chambers
1322BN210-73	1322BN103-39	120RT100	440211	976664	976657	Type 18 Air Chambers
1322BN210-74	1322BN103-71	120RT100	440142	976664	976657	Type 14 Air Chambers
1322BN210-75	1322BN103-39	120RT100	440135	976664	976657	Type 18 Air Chambers
1322BN210-76	1322BN103-40	120RT100	440135	976664	976657	Type 18 Air Chambers
1322BN210-77	1322BN103-7	120RT100	440135	976664	976657	Type 18 Air Chambers
1322BN210-78	1322BN103-7	120RT100	440142	976664	976657	Type 14 Air Chambers
1322BN210-79	1322BN103-8	120RT100	440135	976664	976657	Type 18 Air Chambers
1322BN210-80	1322BN103-42	120RT100	440142	976664	976657	Type 18 Air Chambers
1322BN210-81	1322BN103-8	120RT100	440142	976664	976657	Type 14 Air Chambers

All brake components are available through Bendix Commercial Vehicle Systems LLC. These parts are listed for reference to assist the fleet owner and parts organizations.

Axle Specifications with Brakes

STEER AXLE ASSEMBLY PART NO.	STEER AXLE BARE ASSEMBLY	ABS SENSOR SLEEVE (2)	HUB & ROTOR ASSY (2)	ABS SENSOR ASSY (2)	ABS SENSOR CLIP (2)	COMMENTS
1322BN210-82	1322BN103-40	120RT100	440142	976664	976657	Type 14 Air Chambers
1322BN210-83	1322BN103-39	120RT100	440135	976664	976657	Type 16 Air Chambers
1322BN210-84	1322BN103-39	120RT100	440135	976664	976657	Type 16 Air Chambers
1322BN210-85	1322BN103-40	120RT100	440142	976664	976657	Type 18 Air Chambers
1322BN210-86	1322BN103-40	120RT100	440142	976664	976657	Type 16 Air Chambers
1322BN210-87	1322BN103-39	120RT100	440142	976664	976657	Type 16 Air Chambers
1322BN210-88	1322BN103-39	120RT100	440142	976664	976657	Type 16 Air Chambers
1322BN210-89	1322BN103-38	120RT100	440142	976664	976657	Type 18 Air Chambers
1322BN210-90	1322BN103-118	120RT100	440135	976664	976657	Type 18 Air Chambers
1322BN210-91	1322BN103-119	120RT100	440135	976664	976657	Type 18 Air Chambers
1322BN210-92	1322BN103-101	120RT100	440142	976664	976657	Type 18 Air Chambers
1322BN210-93	1322BN103-118	120RT100	440142	976664	976657	Type 18 Air Chambers
1322BN210-94	1322BN103-118	120RT100	440211	976664	976657	Type 18 Air Chambers
1322BN210-95	1322BN103-124	120RT100	440135	976664	976657	Type 18 Air Chambers
1322BN210-96	1322BN103-117	120RT100	440135	976664	976657	Type 18 Air Chambers
1322BN210-97	1322BN103-118	120RT100	440211	976664	976657	Type 18 Air Chambers
1322BN210-98	1322BN103-117	120RT100	440142	976664	976657	Type 18 Air Chambers
1322BN210-99	1322BN103-125	120RT100	440135	976664	976657	Type 18 Air Chambers
1322BN210-100	1322BN103-124	120RT100	440211	976664	976657	Type 14 Air Chambers
1322BN210-101	1322BN103-124	120RT100	440142	976664	976657	Type 14 Air Chambers
1322BN210-102	1322BN103-118	120RT100	440142	976664	976657	Type 18 Air Chambers
1322BN210-103	1322BN103-118	120RT100	440135	976664	976657	Type 14 Air Chambers
1322BN210-104	1322BN103-118	120RT100	440135	976664	976657	Type 18 Air Chambers
1322BN210-105	1322BN103-124	120RT100	440142	976664	976657	Type 18 Air Chambers
1322BN210-106	1322BN103-125	120RT100	440142	976664	976657	Type 18 Air Chambers
1322BN210-107	1322BN103-125	120RT100	440135	976664	976657	Type 18 Air Chambers
1322BN210-108	1322BN103-119	120RT100	440142	976664	976657	Type 18 Air Chambers
1322BN210-109	1322BN103-119	120RT100	440142	976664	976657	Type 18 Air Chambers
1322BN210-110	1322BN103-124	120RT100	440135	976664	976657	Type 18 Air Chambers
1322BN210-111	1322BN103-124	120RT100	440142	976664	976657	Type 18 Air Chambers
1322BN210-112	1322BN103-125	120RT100	440142	976664	976657	Type 18 Air Chambers
1322BN210-113	1322BN103-117	120RT100	440135	976664	976657	Type 18 Air Chambers
1322BN210-114	1322BN103-119	120RT100	440135	976664	976657	Type 18 Air Chambers
1322BN210-115	1322BN103-118	120RT100	440142	976664	976657	Type 14 Air Chambers
1322BN210-116	1322BN103-124	120RT100	440135	976664	976657	Type 14 Air Chambers
1322BN210-117	1322BN103-101	120RT100	440135	976664	976657	Type 18 Air Chambers
1322BN210-118	1322BN103-117	120RT100	440142	976664	976657	Type 18 Air Chambers
1322BN210-119	1322BN103-116	120RT100	440135	976664	976657	Type 18 Air Chambers
1322BN210-120	1322BN103-121	120RT100	440143	976664	976657	Type 18 Air Chambers
1322BN210-121	1322BN103-120	120RT100	440135	976664	976657	Type 18 Air Chambers

All brake components are available through Bendix Commercial Vehicle Systems LLC. These parts are listed for reference to assist the fleet owner and parts organizations.

Axle Specifications with Brakes

STEER AXLE ASSEMBLY PART NO.	STEER AXLE BARE ASSEMBLY	ABS SENSOR SLEEVE (2)	HUB & ROTOR ASSY (2)	ABS SENSOR ASSY (2)	ABS SENSOR CLIP (2)	COMMENTS
1322BN210-122	1322BN103-100	120RT100	440135	976664	976657	Type 18 Air Chambers
1322BN210-123	1322BN103-121	120RT100	440135	976664	976657	Type 18 Air Chambers
1322BN210-124	1322BN103-120	120RT100	440142	976664	976657	Type 18 Air Chambers
1322BN210-125	1322BN103-118	120RT100	440135	976664	976657	Type 14 Air Chambers
1322BN210-126	1322BN103-119	120RT100	440135	976664	976657	Type 14 Air Chambers
1322BN210-127	1322BN103-121	120RT100	440135	976664	976657	Type 18 Air Chambers
1322BN210-128	1322BN103-121	120RT100	440142	976664	976657	Type 18 Air Chambers
1322BN210-129	1322BN103-122	120RT100	440135	976664	976657	Type 18 Air Chambers
1322BN210-130	1322BN103-122	120RT100	440142	976664	976657	Type 18 Air Chambers
1322BN210-131	1322BN103-118	120RT100	440141	976664	976657	Type 18 Air Chambers
1322BN210-132	1322BN103-119	120RT100	440142	976664	976657	Type 14 Air Chambers
1322BN210-133	1322BN103-118	120RT100	440211	976664	976657	Type 14 Air Chambers
1322BN210-134	1322BN103-121	120RT100	440211	976664	976657	Type 18 Air Chambers
1322BN210-135	1322BN103-124	120RT100	440143	976664	976657	Type 14 Air Chambers
1322BN210-136	1322BN103-115	120RT100	440135	976664	976657	Type 18 Air Chambers

STEER AXLE ASSEMBLY PART NO.	STEER AXLE BARE ASSEMBLY	ABS SENSOR SLEEVE (2)	HUB & ROTOR ASSY (2)	ABS SENSOR ASSY (2)	ABS SENSOR CLIP (2)	COMMENTS
1322BN211-1	1322BN101-22	120RT100	440025	976664	976657	Type 18 Air Chambers
1322BN211-2	1322BN101-22	120RT100	440025	976664	976657	Type 14 Air Chambers
1322BN211-3	1322BN101-22	120RT100	440103	976664	976657	Type 14 Air Chambers
1322BN211-4	1322BN101-23	120RT100	440025	976664	976657	Type 14 Air Chambers
1322BN211-5	1322BN101-23	120RT100	440025	976664	976657	Type 18 Air Chambers
1322BN211-6	1322BN101-20	120RT100	440103	976664	976657	Type 18 Air Chambers
1322BN211-7	1322BN101-22	120RT100	440103	976664	976657	Type 18 Air Chambers
1322BN211-9	1322BN101-20	120RT100	440025	976664	976657	Type 14 Air Chambers
1322BN211-10	1322BN101-19	120RT100	440102	976664	976657	Type 18 Air Chambers
1322BN211-11	1322BN101-19	120RT100	440025	976664	976657	Type 14 Air Chambers
1322BN211-12	1322BN101-19	120RT100	440025	976664	976657	Type 18 Air Chambers
1322BN211-13	1322BN101-19	120RT100	440103	976664	976657	Type 18 Air Chambers
1322BN211-14	1322BN101-39	120RT100	440103	976664	976657	Type 18 Air Chambers
1322BN211-15	1322BN101-19	120RT100	440101	976664	976657	Type 18 Air Chambers
1322BN211-16	1322BN101-19	120RT100	440103	976664	976657	Type 14 Air Chambers
1322BN211-17	1322BN101-20	120RT100	440103	976664	976657	Type 14 Air Chambers
1322BN211-18	1322BN101-40	120RT100	440101	976664	976657	Type 18 Air Chambers
1322BN211-19	1322BN101-20	120RT100	440101	976664	976657	Type 18 Air Chambers
1322BN211-20	1322BN101-18	120RT100	440103	976664	976657	Type 14 Air Chambers
1322BN211-21	1322BN101-20	120RT100	440025	976664	976657	Type 18 Air Chambers

All brake components are available through Bendix Commercial Vehicle Systems LLC. These parts are listed for reference to assist the fleet owner and parts organizations.

Axle Specifications with Brakes

STEER AXLE ASSEMBLY PART NO.	STEER AXLE BARE ASSEMBLY	ABS SENSOR SLEEVE (2)	HUB & ROTOR ASSY (2)	ABS SENSOR ASSY (2)	ABS SENSOR CLIP (2)	COMMENTS
1322BN211-22	1322BN101-23	120RT100	440103	976664	976657	Type 18 Air Chambers
1322BN211-23	1322BN101-40	120RT100	440025	976664	976657	Type 14 Air Chambers
1322BN211-24	1322BN101-39	120RT100	440103	976664	976657	Type 14 Air Chambers
1322BN211-25	1322BN101-40	120RT100	440103	976664	976657	Type 18 Air Chambers
1322BN211-26	1322BN101-18	120RT100	440101	976664	976657	Type 18 Air Chambers
1322BN211-27	1322BN101-23	120RT100	440103	976664	976657	Type 14 Air Chambers
1322BN211-28	1322BN101-40	120RT100	440025	976664	976657	Type 18 Air Chambers
1322BN211-29	1322BN101-18	120RT100	440103	976664	976657	Type 18 Air Chambers
1322BN211-30	1322BN101-39	120RT100	440101	976664	976657	Type 18 Air Chambers
1322BN211-31	1322BN101-40	120RT100	440103	976664	976657	Type 14 Air Chambers
1322BN211-32	1322BN101-20	120RT100	440142	976664	976657	Type 18 Air Chambers
1322BN211-33	1322BN101-39	120RT100	440135	976664	976657	Type 18 Air Chambers
1322BN211-34	1322BN101-22	120RT100	440135	976664	976657	Type 18 Air Chambers
1322BN211-35	1322BN101-37	120RT100	440135	976664	976657	Type 18 Air Chambers
1322BN211-36	1322BN101-23	120RT100	440135	976664	976657	Type 18 Air Chambers
1322BN211-37	1322BN101-19	120RT100	440135	976664	976657	Type 18 Air Chambers
1322BN211-40	1322BN101-19	120RT100	440142	976664	976657	Type 18 Air Chambers
1322BN211-42	1322BN101-20	120RT100	440135	976664	976657	Type 14 Air Chambers
1322BN211-43	1322BN101-19	120RT100	440135	976664	976657	Type 14 Air Chambers
1322BN211-44	1322BN101-20	120RT100	440135	976664	976657	Type 18 Air Chambers
1322BN211-45	1322BN101-39	120RT100	440142	976664	976657	Type 18 Air Chambers
1322BN211-46	1322BN101-40	120RT100	440135	976664	976657	Type 18 Air Chambers
1322BN211-47	1322BN101-39	120RT100	440135	976664	976657	Type 14 Air Chambers
1322BN211-48	1322BN101-19	120RT100	440142	976664	976657	Type 14 Air Chambers
1322BN211-49	1322BN101-18	120RT100	440142	976664	976657	Type 18 Air Chambers
1322BN211-50	1322BN101-20	120RT100	440142	976664	976657	Type 14 Air Chambers
1322BN211-51	1322BN101-40	120RT100	440135	976664	976657	Type 18 Air Chambers
1322BN211-52	1322BN101-19	120RT100	440025	976664	976657	Type 18 Air Chambers
1322BN211-53	1322BN101-19	120RT100	440143	976664	976657	Type 18 Air Chambers
1322BN211-54	1322BN101-20	120RT100	440142	976664	976657	Type 14 Air Chambers
1322BN211-55	1322BN101-40	120RT100	440142	976664	976657	Type 14 Air Chambers
1322BN211-56	1322BN101-18	120RT100	440135	976664	976657	Type 18 Air Chambers
1322BN211-57	1322BN101-19	120RT100	440142	976664	976657	Type 18 Air Chambers
1322BN211-58	1322BN101-40	120RT100	440135	976664	976657	Type 14 Air Chambers
1322BN211-59	1322BN101-19	120RT100	440135	976664	976657	Type 18 Air Chambers
1322BN211-60	1322BN101-18	120RT100	440142	976664	976657	Type 18 Air Chambers
1322BN211-61	1322BN101-39	120RT100	440142	976664	976657	Type 14 Air Chambers
1322BN211-62	1322BN101-39	120RT100	440142	976664	976657	Type 14 Air Chambers
1322BN211-63	1322BN101-39	120RT100	440135	976664	976657	Type 14 Air Chambers

All brake components are available through Bendix Commercial Vehicle Systems LLC. These parts are listed for reference to assist the fleet owner and parts organizations.

Axle Specifications with Brakes

STEER AXLE ASSEMBLY PART NO.	STEER AXLE BARE ASSEMBLY	ABS SENSOR SLEEVE (2)	HUB & ROTOR ASSY (2)	ABS SENSOR ASSY (2)	ABS SENSOR CLIP (2)	COMMENTS
1322BN211-64	1322BN101-40	120RT100	440142	976664	976657	Type 18 Air Chambers
1322BN211-65	1322BN101-20	120RT100	440211	976664	976657	Type 18 Air Chambers
1322BN211-66	1322BN101-20	120RT100	440142	976664	976657	Type 18 Air Chambers
1322BN211-67	1322BN101-19	120RT100	440142	976664	976657	Type 14 Air Chambers
1322BN211-68	1322BN101-19	120RT100	440135	976664	976657	Type 14 Air Chambers
1322BN211-69	1322BN101-40	120RT100	440142	976664	976657	Type 18 Air Chambers
1322BN211-70	1322BN101-19	120RT100	440211	976664	976657	Type 18 Air Chambers
1322BN211-71	1322BN101-20	120RT100	440135	976664	976657	Type 18 Air Chambers
1322BN211-72	1322BN101-39	120RT100	440142	976664	976657	Type 18 Air Chambers
1322BN211-73	1322BN101-12	120RT100	440142	976664	976657	Type 18 Air Chambers
1322BN211-74	1322BN101-12	120RT100	440142	976664	976657	Type 18 Air Chambers
1322BN211-75	1322BN101-31	120RT100	440142	976664	976657	Type 18 Air Chambers
1322BN211-76	1322BN101-39	120RT100	440135	976664	976657	Type 18 Air Chambers
1322BN211-77	1322BN101-31	120RT100	440135	976664	976657	Type 18 Air Chambers
1322BN211-78	1322BN101-12	120RT100	440135	976664	976657	Type 18 Air Chambers
1322BN211-79	1322BN101-12	120RT100	440211	976664	976657	Type 18 Air Chambers
1322BN211-80	1322BN101-31	120RT100	440142	976664	976657	Type 14 Air Chambers
1322BN211-81	1322BN101-19	120RT100	440135	*****	*****	Type 14 Air Chambers
1322BN211-82	1322BN101-77	120RT100	440135	976664	976657	Type 14 Air Chambers
1322BN211-83	1322BN101-77	120RT100	440135	976664	976657	Type 18 Air Chambers
1322BN211-84	1322BN101-76	120RT100	440135	976664	976657	Type 18 Air Chambers
1322BN211-85	1322BN101-76	120RT100	440142	976664	976657	Type 18 Air Chambers
1322BN211-86	1322BN101-77	120RT100	440135	976664	976657	Type 18 Air Chambers
1322BN211-87	1322BN101-76	120RT100	440142	976664	976657	Type 18 Air Chambers
1322BN211-88	1322BN101-76	120RT100	440135	976664	976657	Type 18 Air Chambers
1322BN211-89	1322BN101-77	120RT100	440143	976664	976657	Type 14 Air Chambers
1322BN211-90	1322BN101-77	120RT100	440142	976664	976657	Type 18 Air Chambers
1322BN211-91	1322BN101-77	120RT100	440142	976664	976657	Type 18 Air Chambers
1322BN211-92	1322BN101-63	120RT100	440142	976664	976657	Type 18 Air Chambers
1322BN211-93	1322BN101-75	120RT100	440142	976664	976657	Type 18 Air Chambers
1322BN211-94	1322BN101-76	120RT100	440211	976664	976657	Type 18 Air Chambers
1322BN211-95	1322BN101-77	120RT100	440142	976664	976657	Type 14 Air Chambers
1322BN211-96	1322BN101-63	120RT100	440142	976664	976657	Type 18 Air Chambers
1322BN211-97	1322BN101-74	120RT100	440142	976664	976657	Type 18 Air Chambers
1322BN211-98	1322BN101-76	120RT100	440135	976664	976657	Type 14 Air Chambers
1322BN211-99	1322BN101-76	120RT100	440135	976664	976657	Type 14 Air Chambers
1322BN211-100	1322BN101-75	120RT100	440142	976664	976657	Type 20 Air Chambers
1322BN211-101	1322BN101-75	120RT100	440135	976664	976657	Type 18 Air Chambers
1322BN211-102	1322BN101-76	120RT100	440143	976664	976657	Type 18 Air Chambers

All brake components are available through Bendix Commercial Vehicle Systems LLC. These parts are listed for reference to assist the fleet owner and parts organizations.

Axle Specifications with Brakes

STEER AXLE ASSEMBLY PART NO.	STEER AXLE BARE ASSEMBLY	ABS SENSOR SLEEVE (2)	HUB & ROTOR ASSY (2)	ABS SENSOR ASSY (2)	ABS SENSOR CLIP (2)	COMMENTS
1322BN211-103	1322BN101-65	120RT100	440135	976664	976657	Type 14 Air Chambers
1322BN211-104	1322BN101-91	120RT100	440142	976664	976657	Type 18 Air Chambers
1322BN211-105	1322BN101-90	120RT100	440135	976664	976657	Type 14 Air Chambers
1322BN211-106	1322BN101-63	120RT100	440135	976664	976657	Type 18 Air Chambers
1322BN211-107	1322BN101-89	120RT100	440135	976664	976657	Type 18 Air Chambers
1322BN211-108	1322BN101-90	120RT100	440135	976664	976657	Type 18 Air Chambers
1322BN211-109	1322BN101-90	120RT100	440142	976664	976657	Type 18 Air Chambers
1322BN211-110	1322BN101-90	120RT100	440142	976664	976657	Type 18 Air Chambers
1322BN211-111	1322BN101-91	120RT100	440135	976664	976657	Type 18 Air Chambers
1322BN211-112	1322BN101-91	120RT100	440142	976664	976657	Type 18 Air Chambers
1322BN211-113	1322BN101-76	120RT100	440211	976664	976657	Type 18 Air Chambers
1322BN211-114	1322BN101-77	120RT100	440211	976664	976657	Type 18 Air Chambers
1322BN211-115	1322BN101-65	120RT100	440135	976664	976657	Type 18 Air Chambers
1322BN211-116	1322BN101-75	120RT100	440142	976664	976657	Type 18 Air Chambers
1322BN211-117	1322BN101-75	120RT100	440135	976664	976657	Type 18 Air Chambers
1322BN211-118	1322BN101-78	120RT100	440142	976664	976657	Type 18 Air Chambers
1322BN211-119	1322BN101-79	120RT100	440142	976664	976657	Type 18 Air Chambers
1322BN211-120	1322BN101-78	120RT100	440135	976664	976657	Type 18 Air Chambers
1322BN211-121	1322BN101-65	120RT100	440142	976664	976657	Type 18 Air Chambers
1322BN211-122	1322BN101-76	120RT100	440142	976664	976657	Type 14 Air Chambers
1322BN211-123	1322BN101-78	120RT100	440142	976664	976657	Type 18 Air Chambers
1322BN211-124	1322BN101-79	120RT100	440142	976664	976657	Type 18 Air Chambers
1322BN211-125	1322BN101-79	120RT100	440135	976664	976657	Type 18 Air Chambers
1322BN211-126	1322BN101-79	120RT100	440135	976664	976657	Type 18 Air Chambers
1322BN211-127	1322BN101-80	120RT100	440135	976664	976657	Type 18 Air Chambers
1322BN211-128	1322BN101-83	120RT100	440135	976664	976657	Type 18 Air Chambers
1322BN211-129	1322BN101-90	120RT100	440135	976664	976657	Type 18 Air Chambers
1322BN211-130	1322BN101-80	120RT100	440142	976664	976657	Type 18 Air Chambers
1322BN211-131	1322BN101-63	120RT100	440135	976664	976657	Type 18 Air Chambers
1322BN211-132	1322BN101-91	120RT100	440210	976664	976657	Type 14 Air Chambers
1322BN211-133	1322BN101-91	120RT100	440135	976664	976657	Type 14 Air Chambers
1322BN211-134	1322BN101-91	120RT100	440143	976664	976657	Type 14 Air Chambers
1322BN211-135	1322BN101-80	120RT100	440135	976664	976657	Type 18 Air Chambers
1322BN211-136	1322BN101-76	120RT100	440211	976664	976657	Type 14 Air Chambers
1322BN211-137	1322BN101-90	120RT100	440211	976664	976657	Type 18 Air Chambers
1322BN211-138	1322BN101-90	120RT100	440211	976664	976657	Type 18 Air Chambers
1322BN211-139	1322BN101-82	120RT100	440135	976664	976657	Type 18 Air Chambers
1322BN211-140	1322BN101-82	120RT100	440142	976664	976657	Type 18 Air Chambers
1322BN211-141	1322BN101-92	120RT100	440142	976664	976657	Type 18 Air Chambers

All brake components are available through Bendix Commercial Vehicle Systems LLC. These parts are listed for reference to assist the fleet owner and parts organizations.

Axle Specifications with Brakes

STEER AXLE ASSEMBLY PART NO.	STEER AXLE BARE ASSEMBLY	ABS SENSOR SLEEVE (2)	HUB & ROTOR ASSY (2)	ABS SENSOR ASSY (2)	ABS SENSOR CLIP (2)	COMMENTS
1322BN211-142	1322BN101-65	120RT100	440142	976664	976657	Type 18 Air Chambers
1322BN211-143	1322BN101-89	120RT100	440135	976664	976657	Type 14 Air Chambers
1322BN211-144	1322BN101-83	120RT100	440135	976664	976657	Type 18 Air Chambers
1322BN211-145	1322BN101-78	120RT100	440135	976664	976657	Type 18 Air Chambers
1322BN211-146	1322BN101-91	120RT100	440135	976664	976657	Type 18 Air Chambers
1322BN211-147	1322BN101-75	120RT100	440143	976664	976657	Type 18 Air Chambers
1322BN211-148	1322BN101-75	120RT100	440141	976664	976657	Type 18 Air Chambers
1322BN211-149	1322BN101-73	120RT100	440142	976664	976657	Type 18 Air Chambers

STEER AXLE ASSEMBLY PART NO.	STEER AXLE BARE ASSEMBLY	ABS SENSOR SLEEVE (2)	HUB & ROTOR ASSY (2)	ABS SENSOR ASSY (2)	ABS SENSOR CLIP (2)	COMMENTS
1322BN212-1	1322BN105-28	120RT100	440103	976664	976657	Type 18 Air Chambers
1322BN212-2	1322BN105-28	120RT100	440025	976664	976657	Type 14 Air Chambers
1322BN212-3	1322BN105-26	120RT100	440025	976664	976657	Type 14 Air Chambers
1322BN212-4	1322BN105-27	120RT100	440103	976664	976657	Type 14 Air Chambers
1322BN212-5	1322BN105-25	120RT100	440025	976664	976657	Type 14 Air Chambers
1322BN212-6	1322BN105-27	120RT100	440025	976664	976657	Type 18 Air Chambers
1322BN212-7	1322BN105-26	120RT100	440025	976664	976657	Type 18 Air Chambers
1322BN212-8	1322BN105-29	120RT100	440025	976664	976657	Type 18 Air Chambers
1322BN212-9	1322BN105-26	120RT100	440103	976664	976657	Type 14 Air Chambers
1322BN212-10	1322BN105-29	120RT100	440101	976664	976657	Type 18 Air Chambers
1322BN212-11	1322BN105-29	120RT100	440025	976664	976657	Type 14 Air Chambers
1322BN212-12	1322BN105-26	120RT100	440101	976664	976657	Type 18 Air Chambers
1322BN212-13	1322BN105-28	120RT100	440101	976664	976657	Type 14 Air Chambers
1322BN212-14	1322BN105-29	120RT100	440103	976664	976657	Type 14 Air Chambers
1322BN212-15	1322BN105-26	120RT100	440103	976664	976657	Type 18 Air Chambers
1322BN212-16	1322BN105-25	120RT100	440025	976664	976657	Type 18 Air Chambers
1322BN212-17	1322BN105-31	120RT100	440101	976664	976657	Type 14 Air Chambers
1322BN212-18	1322BN105-28	120RT100	440025	976664	976657	Type 18 Air Chambers
1322BN212-19	1322BN105-29	120RT100	440101	976664	976657	Type 14 Air Chambers
1322BN212-20	1322BN105-32	120RT100	440101	976664	976657	Type 14 Air Chambers
1322BN212-21	1322BN105-31	120RT100	440103	976664	976657	Type 14 Air Chambers
1322BN212-22	1322BN105-29	120RT100	440103	976664	976657	Type 18 Air Chambers
1322BN212-23	1322BN105-3	120RT100	440101	976664	976657	Type 18 Air Chambers
1322BN212-24	1322BN105-31	120RT100	440103	976664	976657	Type 14 Air Chambers
1322BN212-25	1322BN105-32	120RT100	440103	976664	976657	Type 14 Air Chambers
1322BN212-26	1322BN105-32	120RT100	440135	976664	976657	Type 14 Air Chambers

All brake components are available through Bendix Commercial Vehicle Systems LLC. These parts are listed for reference to assist the fleet owner and parts organizations.

Axle Specifications with Brakes

STEER AXLE ASSEMBLY PART NO.	STEER AXLE BARE ASSEMBLY	ABS SENSOR SLEEVE (2)	HUB & ROTOR ASSY (2)	ABS SENSOR ASSY (2)	ABS SENSOR CLIP (2)	COMMENTS
1322BN212-27	1322BN105-15	120RT100	440135	976664	976657	Type 18 Air Chambers
1322BN212-28	1322BN105-26	120RT100	440135	976664	976657	Type 18 Air Chambers
1322BN212-29	1322BN105-26	120RT100	440142	976664	976657	Type 18 Air Chambers
1322BN212-30	1322BN105-26	120RT100	440135	976664	976657	Type 14 Air Chambers
1322BN212-31	1322BN105-31	120RT100	440142	976664	976657	Type 14 Air Chambers
1322BN212-32	1322BN105-28	120RT100	440135	976664	976657	Type 18 Air Chambers
1322BN212-33	1322BN105-26	120RT100	440025	976664	976657	Type 18 Air Chambers
1322BN212-34	1322BN105-28	120RT100	440142	976664	976657	Type 18 Air Chambers
1322BN212-35	1322BN105-26	120RT100	440142	976664	976657	Type 18 Air Chambers
1322BN212-36	1322BN105-32	120RT100	440142	976664	976657	Type 18 Air Chambers
1322BN212-37	1322BN105-31	120RT100	440135	976664	976657	Type 14 Air Chambers
1322BN212-38	1322BN105-28	120RT100	440211	976664	976657	Type 18 Air Chambers
1322BN212-39	1322BN105-31	120RT100	440142	976664	976657	Type 14 Air Chambers
1322BN212-40	1322BN105-15	120RT100	440142	976664	976657	Type 14 Air Chambers
1322BN212-41	1322BN105-37	120RT100	440135	976664	976657	Type 18 Air Chambers
1322BN212-42	1322BN105-35	120RT100	440142	976664	976657	Type 18 Air Chambers
1322BN212-43	1322BN105-35	120RT100	440135	976664	976657	Type 18 Air Chambers
1322BN212-44	1322BN105-38	120RT100	440211	976664	976657	Type 18 Air Chambers
1322BN212-45	1322BN105-34	120RT100	440135	976664	976657	Type 18 Air Chambers
1322BN212-46	1322BN105-37	120RT100	440142	976664	976657	Type 18 Air Chambers
1322BN212-47	1322BN105-37	120RT100	440135	976664	976657	Type 18 Air Chambers
1322BN212-48	1322BN105-35	120RT100	440142	976664	976657	Type 18 Air Chambers
1322BN212-49	1322BN105-41	120RT100	440211	976664	976657	Type 18 Air Chambers
1322BN212-50	1322BN105-38	120RT100	440142	976664	976657	Type 18 Air Chambers
1322BN212-51	1322BN105-41	120RT100	440142	976664	976657	Type 18 Air Chambers
1322BN212-52	1322BN105-38	120RT100	440142	976664	976657	Type 18 Air Chambers
1322BN212-53	1322BN105-37	120RT100	440211	976664	976657	Type 18 Air Chambers
1322BN212-54	1322BN105-34	120RT100	440142	976664	976657	Type 18 Air Chambers
1322BN212-55	1322BN105-40	120RT100	440135	976664	976657	Type 18 Air Chambers
1322BN212-56	1322BN105-35	120RT100	440135	976664	976657	Type 18 Air Chambers
1322BN212-57	1322BN105-41	120RT100	440135	976664	976657	Type 18 Air Chambers
1322BN212-58	1322BN105-38	120RT100	440135	976664	976657	Type 18 Air Chambers
1322BN212-59	1322BN105-38	120RT100	440142	976664	976657	Type 14 Air Chambers
1322BN212-60	1322BN105-41	120RT100	440135	976664	976657	Type 18 Air Chambers
1322BN212-61	1322BN105-38	120RT100	440135	976664	976657	Type 18 Air Chambers
1322BN212-62	1322BN105-38	120RT100	440142	976664	976657	Type 14 Air Chambers
1322BN212-63	1322BN105-36	120RT100	440135	976664	976657	Type 18 Air Chambers
1322BN212-64	1322BN105-38	120RT100	440135	976664	976657	Type 14 Air Chambers

All brake components are available through Bendix Commercial Vehicle Systems LLC. These parts are listed for reference to assist the fleet owner and parts organizations.

Axle Specifications with Brakes

STEER AXLE ASSEMBLY PART NO.	STEER AXLE BARE ASSEMBLY	BRAKE ASSY LH	BRAKE ASSY RH	HUB & DRUM LH	HUB & DRUM RH	ABS SENSOR ASSY (2)
1462BN203-3	1462BN100-73	329880	329881	974943	974943	818458
1462BN203-4	1462BN100-74	318346	318347	440160	440160	-
1462BN203-5	1462BN100-74	318346	318347	440153	440153	-
1462BN203-6	1462BN100-118	318346	318347	440160	440160	-
1462BN203-7	1462BN100-127	328554	328555	440161	440161	-
1462BN203-8	1462BN100-74	318346	318347	440153	440153	-
1462BN203-9	1462BN100-74	318346	318347	440154	440154	976663
1462BN203-10	1462BN100-74	318346	318347	440160	440160	-
1462BN203-11	1462BN100-159	K049610	K049611	974943	974943	976664
STEER AXLE ASSEMBLY PART NO.	STEER AXLE BARE ASSEMBLY	BRAKE ASSY LH	BRAKE ASSY RH	HUB & DRUM LH & RH	ABS SENSOR ASSY (2)	ABS SENSOR SLEEVE (2)
1462BN205-3	1462BN101-7	329510	329511	440162	976663	976657
1462BN205-4	1462BN101-49	K036620	K036621		976664	976657

STEER AXLE ASSEMBLY PART NO.	STEER AXLE BARE ASSEMBLY	ABS SENSOR SLEEVE (2)	HUB & ROTOR ASSY (2)	ABS SENSOR ASSY (2)	ABS SENSOR CLIP (2)	COMMENTS
1462BN206-1	1462BN101-7	120RT100 *	5016481	976663	976657	Type 18 Air Chambers
1462BN206-2	1462BN101-16	120RT100	440103	818458	818457	Type 20 Air Chambers
1462BN206-3	1462BN101-15	120RT100	440025	976664	976657	Type 16 Air Chambers
1462BN206-4	1462BN101-16	120RT100	440025	976664	976657	Type 20 Air Chambers
1462BN206-5	1462BN101-31	120RT100 *	5016486	818458	818457	Type 18 Air Chambers
1462BN206-6	1462BN101-16	120RT100	440025	976664	976657	Type 18 Air Chambers
1462BN206-7	1462BN101-30	120RT100	440101	976664	976657	Type 20 Air Chambers
1462BN206-8	1462BN101-9	120RT100	440025	976664	976657	Type 18 Air Chambers
1462BN206-9	1462BN101-10	120RT100	440101	976664	976657	Type 16 Air Chambers
1462BN206-10	1462BN101-9	120RT100	440101	976664	976657	Type 18 Air Chambers
1462BN206-11	1462BN101-8	120RT100	440101	976664	976657	Type 18 Air Chambers
1462BN206-12	1462BN101-9	120RT100	440101	976664	976657	Type 16 Air Chambers
1462BN206-13	1462BN101-8	120RT100	440025	976664	976657	Type 18 Air Chambers
1462BN206-14	1462BN101-10	120RT100	440101	976664	976657	Type 18 Air Chambers
1462BN206-15	1462BN101-10	120RT100	440101	976664	976657	Type 20 Air Chambers
1462BN206-16	1462BN101-10	120RT100	440025	976664	976657	Type 14 Air Chambers
1462BN206-17	1462BN101-10	120RT100	440025	976664	976657	Type 16 Air Chambers
1462BN206-18	1462BN101-9	120RT100	440101	976664	976657	Type 14 Air Chambers
1462BN206-19	1462BN101-29	120RT100	440101	976664	976657	Type 18 Air Chambers
1462BN206-20	1462BN101-8	120RT100	440100	976664	976657	Type 18 Air Chambers

All brake components are available through Bendix Commercial Vehicle Systems LLC. These parts are listed for reference to assist the fleet owner and parts organizations.

Axle Specifications with Brakes

STEER AXLE ASSEMBLY PART NO.	STEER AXLE BARE ASSEMBLY	ABS SENSOR SLEEVE (2)	HUB & ROTOR ASSY (2)	ABS SENSOR ASSY (2)	ABS SENSOR CLIP (2)	COMMENTS
1462BN206-21	1462BN101-16	120RT100	440100	976664	976657	Type 18 Air Chambers
1462BN206-22	1462BN101-9	120RT100	440101	976664	976657	Type 18 Air Chambers
1462BN206-23	1462BN101-8	120RT100	440101	976664	976657	Type 18 Air Chambers
1462BN206-24	1462BN101-8	120RT100	440142	976664	976657	Type 18 Air Chambers
1462BN206-25	1462BN101-9	120RT100	440142	976664	976657	Type 16 Air Chambers
1462BN206-26	1462BN101-8	120RT100	440192	976664	976657	Type 18 Air Chambers
1462BN206-27	1462BN101-8	120RT100	440142	976664	976657	Type 18 Air Chambers
1462BN206-28	1462BN101-9	120RT100	440025	976664	976657	Type 18 Air Chambers
1462BN206-29	1462BN101-45	120RT100 *	5016481	300087	976657	Type 18 Air Chambers
1462BN206-30	1462BN101-9	120RT100	440142	976664	976657	Type 18 Air Chambers
1462BN206-31	1462BN101-9	120RT100	440142	976664	976657	Type 18 Air Chambers
1462BN206-32	1462BN101-30	120RT100	440142	976664	976657	Type 18 Air Chambers
1462BN206-33	1462BN101-16	120RT100	440142	976664	976657	Type 18 Air Chambers
1462BN206-34	1462BN101-9	120RT100	440142	976664	976657	Type 14 Air Chambers
1462BN206-35	1462BN101-10	120RT100	440142	976664	976657	Type 20 Air Chambers
1462BN206-36	1462BN101-16	120RT100	440025	976664	976657	Type 14 Air Chambers
1462BN206-37	1462BN101-16	120RT100	440025	976664	976657	Type 16 Air Chambers
1462BN206-38	1462BN101-10	120RT100	440142	976664	976657	Type 18 Air Chambers
1462BN206-39	1462BN101-10	120RT100	440142	976664	976657	Type 16 Air Chambers
1462BN206-40	1462BN101-10	120RT100	440142	976664	976657	Type 14 Air Chambers
1462BN206-41	1462BN101-30	120RT100	440142	976664	976657	Type 18 Air Chambers
1462BN206-42	1462BN101-9	120RT100	440025	976664	976657	Type 20 Air Chambers
1462BN206-43	1462BN101-9	120RT100	440142	976664	976657	Type 20 Air Chambers
1462BN206-44	1462BN101-9	120RT100	440025	976664	976657	Type 14 Air Chambers
1462BN206-45	1462BN101-9	120RT100	440211	976664	976657	Type 14 Air Chambers
1462BN206-46	1462BN101-10	120RT100	440142	976664	976657	Type 18 Air Chambers
1462BN206-47	1462BN101-9	120RT100	440211	976664	976657	Type 16 Air Chambers
1462BN206-48	1462BN101-27	120RT100	440142	976664	976657	Type 18 Air Chambers
1462BN206-49	1462BN101-10	120RT100	440142	976664	976657	Type 20 Air Chambers
1462BN206-50	1462BN101-9	120RT100	440211	976664	976657	Type 18 Air Chambers
1462BN206-51	1462BN101-9	120RT100	440142	976664	976657	Type 16 Air Chambers
1462BN206-52	1462BN101-9	120RT100	440142	976664	976657	Type 20 Air Chambers
1462BN206-53	1462BN101-10	120RT100	440142	976664	976657	Type 14 Air Chambers
1462BN206-54	1462BN101-9	120RT100	440142	976664	976657	Type 14 Air Chambers
1462BN206-55	1462BN101-10	120RT100	440142	976664	976657	Type 16 Air Chambers
1462BN206-56	1462BN101-58	120RT100	440142	976664	976657	Type 18 Air Chambers
1462BN206-57	1462BN101-59	120RT100	440142	976664	976657	Type 18 Air Chambers
1462BN206-58	1462BN101-53	120RT100	440142	976664	976657	Type 18 Air Chambers
1462BN206-59	1462BN101-60	120RT100	440142	976664	976657	Type 20 Air Chambers

All brake components are available through Bendix Commercial Vehicle Systems LLC. These parts are listed for reference to assist the fleet owner and parts organizations.

Axle Specifications with Brakes

STEER AXLE ASSEMBLY PART NO.	STEER AXLE BARE ASSEMBLY	ABS SENSOR SLEEVE (2)	HUB & ROTOR ASSY (2)	ABS SENSOR ASSY (2)	ABS SENSOR CLIP (2)	COMMENTS
1462BN206-60	1462BN101-54	120RT100	440142	976664	976657	Type 18 Air Chambers
1462BN206-61	1462BN101-59	120RT100	440142	976664	976657	Type 20 Air Chambers
1462BN206-62	1462BN101-60	120RT100	440142	976664	976657	Type 16 Air Chambers
1462BN206-63	1462BN101-59	120RT100	440142	976664	976657	Type 20 Air Chambers
1462BN206-64	1462BN101-59	120RT100	440142	976664	976657	Type 18 Air Chambers
1462BN206-65	1462BN101-58	120RT100	440142	976664	976657	Type 14 Air Chambers
1462BN206-66	1462BN101-54	120RT100	440142	976664	976657	Type 20 Air Chambers
1462BN206-67	1462BN101-58	120RT100	440142	976664	976657	Type 18 Air Chambers
1462BN206-68	1462BN101-57	120RT100	440142	976664	976657	Type 18 Air Chambers
1462BN206-69	1462BN101-60	120RT100	440142	976664	976657	Type 20 Air Chambers
1462BN206-70	1462BN101-59	120RT100	440142	**	**	Type 18 Air Chambers
1462BN206-71	1462BN101-58	120RT100	440141	976664	976657	Type 20 Air Chambers
1462BN206-72	1462BN101-59	120RT100	440142	976664	976657	Type 16 Air Chambers
1462BN206-73	1462BN101-56	120RT100	440142	976664	976657	Type 18 Air Chambers
1462BN206-74	1462BN101-57	120RT100	440142	976664	976657	Type 20 Air Chambers
1462BN206-75	1462BN101-57	120RT100	440142	976664	976657	Type 18 Air Chambers
1462BN206-76	1462BN101-54	120RT100	440142	976664	976657	Type 18 Air Chambers
1462BN206-77	1462BN101-60	120RT100	440142	976664	976657	Type 18 Air Chambers
1462BN206-78	1462BN101-60	120RT100	440142	976664	976657	Type 18 Air Chambers
1462BN206-79	1462BN101-58	120RT100	440142	976664	976657	Type 20 Air Chambers
1462BN206-80	1462BN101-60	120RT100	440142	976664	976657	Type 16 Air Chambers
1462BN206-81	1462BN101-57	120RT100	440211	976664	976657	Type 18 Air Chambers
1462BN206-82	1462BN101-57	120RT100	440211	976664	976657	Type 20 Air Chambers
1462BN206-83	1462BN101-59	120RT100	440211	976664	976657	Type 20 Air Chambers
1462BN206-84	1462BN101-56	120RT100	440142	976664	976657	Type 20 Air Chambers
1462BN206-85	1462BN101-56	120RT100	440142	976664	976657	Type 16 Air Chambers
1462BN206-86	1462BN101-63	120RT100	440142	976664	976657	Type 20 Air Chambers
1462BN206-87	1462BN101-59	120RT100	440142	976664	976657	Type 16 Air Chambers
1462BN206-88	1462BN101-62	120RT100	440142	976664	976657	Type 20 Air Chambers
1462BN206-89	1462BN101-59	120RT100	440211	976664	976657	Type 20 Air Chambers
1462BN206-90	1462BN101-50	120RT100	440142	976664	976657	Type 18 Air Chambers
1462BN206-91	1462BN101-60	120RT100	440141	976664	976657	Type 20 Air Chambers
1462BN206-92	1462BN101-60	120RT100	440142	**	**	Type 18 Air Chambers
1462BN206-93	1462BN101-59	120RT100	440211	976664	976657	Type 18 Air Chambers
1462BN206-94	1462BN101-54	120RT100	440142	976664	976657	Type 20 Air Chambers
1462BN206-95	1462BN101-62	120RT100	440142	976664	976657	Type 20 Air Chambers

All brake components are available through Bendix Commercial Vehicle Systems LLC. These parts are listed for reference to assist the fleet owner and parts organizations.

Axle Specifications with Brakes

STEER AXLE ASSEMBLY PART NO.	STEER AXLE BARE ASSEMBLY	ABS SENSOR SLEEVE (2)	HUB & ROTOR ASSY (2)	ABS SENSOR ASSY (2)	ABS SENSOR CLIP (2)	COMMENTS
1462BN207-1	1462BN100-88	120RT100	440025	976664	976657	Type 16 Air Chambers
1462BN207-2	1462BN100-88	120RT100	440025	976664	976657	Type 14 Air Chambers
1462BN207-3	1462BN100-83	120RT100	440025	976664	976657	Type 14 Air Chambers
1462BN207-4	1462BN100-83	120RT100	440025	976664	976657	Type 16 Air Chambers
1462BN207-5	1462BN100-20	120RT100	440025	976664	976657	Type 16 Air Chambers
1462BN207-6	1462BN100-89	120RT100	440025	976664	976657	Type 16 Air Chambers
1462BN207-7	1462BN100-87	120RT100	440025	976664	976657	Type 16 Air Chambers
1462BN207-8	1462BN100-89	120RT100	440025	976664	976657	Type 18 Air Chambers
1462BN207-9	1462BN100-20	120RT100	440025	976664	976657	Type 18 Air Chambers
1462BN207-10	1462BN100-88	120RT100	440025	976664	976657	Type 18 Air Chambers
1462BN207-11	1462BN100-87	120RT100	440025	976664	976657	Type 20 Air Chambers
1462BN207-12	1462BN100-82	120RT100	440101	976664	976657	Type 20 Air Chambers
1462BN207-13	1462BN100-82	120RT100	440025	976664	976657	Type 16 Air Chambers
1462BN207-14	1462BN100-83	120RT100	440101	976664	976657	Type 16 Air Chambers
1462BN207-15	1462BN100-20	120RT100	440024	976664	976657	Type 18 Air Chambers
1462BN207-16	1462BN100-82	120RT100	440024	976664	976657	Type 16 Air Chambers
1462BN207-17	1462BN100-88	120RT100	440103	976664	976657	Type 14 Air Chambers
1462BN207-18	1462BN100-88	120RT100	440101	976664	976657	Type 16 Air Chambers
1462BN207-19	1462BN100-83	120RT100	440025	976664	976657	Type 18 Air Chambers
1462BN207-20	1462BN100-83	120RT100	440024	976664	976657	Type 20 Air Chambers
1462BN207-21	1462BN100-83	120RT100	440025	976664	976657	Type 20 Air Chambers
1462BN207-22	1462BN100-89	120RT100	440101	976664	976657	Type 16 Air Chambers
1462BN207-23	1462BN100-88	120RT100	440101	976664	976657	Type 18 Air Chambers
1462BN207-24	1462BN100-83	120RT100	440101	976664	976657	Type 18 Air Chambers
1462BN207-25	1462BN100-82	120RT100	440101	976664	976657	Type 18 Air Chambers
1462BN207-26	1462BN100-82	120RT100	440100	976664	976657	Type 18 Air Chambers
1462BN207-27	1462BN100-88	120RT100	440103	976664	976657	Type 18 Air Chambers
1462BN207-28	1462BN100-19	120RT100	440025	976664	976657	Type 18 Air Chambers
1462BN207-29	1462BN100-83	120RT100	440101	976664	976657	Type 18 Air Chambers
1462BN207-30	1462BN100-83	120RT100	440101	976664	976657	Type 20 Air Chambers
1462BN207-31	1462BN100-82	120RT100	440025	976664	976657	Type 16 Air Chambers
1462BN207-33	1462BN100-83	120RT100	440142	976664	976657	Type 20 Air Chambers
1462BN207-34	1462BN100-82	120RT100	440142	976664	976657	Type 18 Air Chambers
1462BN207-35	1462BN100-82	120RT100	440142	976664	976657	Type 16 Air Chambers
1462BN207-36	1462BN100-81	120RT100	440025	976664	976657	Type 18 Air Chambers
1462BN207-37	1462BN100-82	120RT100	440142	976664	976657	Type 16 Air Chambers
1462BN207-38	1462BN100-82	120RT100	440025	NONE	NONE	Type 18 Air Chambers
1462BN207-39	1462BN100-82	120RT100	440211	NONE	NONE	Type 18 Air Chambers
1462BN207-40	1462BN100-82	120RT100	440142	976664	976657	Type 18 Air Chambers

All brake components are available through Bendix Commercial Vehicle Systems LLC. These parts are listed for reference to assist the fleet owner and parts organizations.

Axle Specifications with Brakes

STEER AXLE ASSEMBLY PART NO.	STEER AXLE BARE ASSEMBLY	ABS SENSOR SLEEVE (2)	HUB & ROTOR ASSY (2)	ABS SENSOR ASSY (2)	ABS SENSOR CLIP (2)	COMMENTS
1462BN207-41	1462BN100-81	120RT100	440211	NONE	NONE	Type 18 Air Chambers
1462BN207-42	1462BN100-82	120RT100	440142	976664	976657	Type 20 Air Chambers
1462BN207-43	1462BN100-83	120RT100	440210	976664	976657	Type 18 Air Chambers
1462BN207-44	1462BN100-81	120RT100	440141	976664	976657	Type 18 Air Chambers
1462BN207-45	1462BN100-83	120RT100	440211	976664	976657	Type 20 Air Chambers
1462BN207-46	1462BN100-81	120RT100	440142	976664	976657	Type 16 Air Chambers
1462BN207-47	1462BN100-198	120RT100	440142	976664	976657	Type 18 Air Chambers
1462BN207-48	1462BN100-82	120RT100	440142	976664	976657	Type 20 Air Chambers
1462BN207-49	1462BN100-199	120RT100	440142	976664	976657	Type 20 Air Chambers
1462BN207-50	1462BN100-171	120RT100	440142	976664	976657	Type 16 Air Chambers
1462BN207-51	1462BN100-198	120RT100	440142	976664	976657	Type 16 Air Chambers
1462BN207-52	1462BN100-198	120RT100	440142	976664	976657	Type 20 Air Chambers
1462BN207-53	1462BN100-198	120RT100	440142	976664	976657	Type 18 Air Chambers
1462BN207-54	1462BN100-168	120RT100	440142	976664	976657	Type 18 Air Chambers
1462BN207-55	1462BN100-199	120RT100	440142	976664	976657	Type 16 Air Chambers
1462BN207-56	1462BN100-199	120RT100	440142	976664	976657	Type 20 Air Chambers
1462BN207-57	1462BN100-197	120RT100	440141	976664	976657	Type 16 Air Chambers
1462BN207-58	1462BN100-197	120RT100	440142	976664	976657	Type 18 Air Chambers
1462BN207-59	1462BN100-198	120RT100	440142	976664	976657	Type 20 Air Chambers
1462BN207-60	1462BN100-199	120RT100	440142	976664	976657	Type 18 Air Chambers
1462BN207-61	1462BN100-199	120RT100	440142	976664	976657	Type 18 Air Chambers
1462BN207-62	1462BN100-198	120RT100	440142	976664	976657	Type 16 Air Chambers
1462BN207-64	1462BN100-197	120RT100	440142	NONE	NONE	Type 18 Air Chambers
1462BN207-65	1462BN100-197	120RT100	440210	976664	976657	Type 16 Air Chambers
1462BN207-66	1462BN100-197	120RT100	440210	976664	976657	Type 14 Air Chambers
1462BN207-67	1462BN100-197	120RT100	440142	976664	976657	Type 18 Air Chambers
1462BN207-68	1462BN100-198	NONE	440142	NONE	NONE	Type 16 Air Chambers
1462BN207-69	1462BN100-167	120RT100	440142	976664	976657	Type 18 Air Chambers
1462BN207-70	1462BN100-197	120RT100	440141	976664	976657	Type 16 Air Chambers
1462BN207-71	1462BN100-173	120RT100	440142	976664	976657	Type 18 Air Chambers
1462BN207-72	1462BN100-197	NONE	440142	NONE	NONE	Type 16 Air Chambers
1462BN207-73	1462BN100-197	120RT100	440142	976664	976657	Type 16 Air Chambers
1462BN207-74	1462BN100-196	120RT100	440142	976664	976657	Type 18 Air Chambers
1462BN207-75	1462BN100-198	120RT100	440211	976664	976657	Type 18 Air Chambers
1462BN207-76	1462BN100-196	120RT100	440211	976664	976657	Type 18 Air Chambers
1462BN207-77	1462BN100-197	120RT100	440210	976664	976657	Type 20 Air Chambers
1462BN207-78	1462BN100-197	120RT100	440210	976664	976657	Type 16 Air Chambers
1462BN207-79	1462BN100-197	120RT100	440142	976664	976657	Type 20 Air Chambers
1462BN207-80	1462BN100-200	120RT100	440142	976664	976657	Type 18 Air Chambers

All brake components are available through Bendix Commercial Vehicle Systems LLC. These parts are listed for reference to assist the fleet owner and parts organizations.

Axle Specifications with Brakes

STEER AXLE ASSEMBLY PART NO.	STEER AXLE BARE ASSEMBLY	ABS SENSOR SLEEVE (2)	HUB & ROTOR ASSY (2)	ABS SENSOR ASSY (2)	ABS SENSOR CLIP (2)	COMMENTS
1462BN207-81	1462BN100-198	120RT100	440211	976664	976657	Type 16 Air Chambers
1462BN207-82	1462BN100-201	120RT100	440211	976664	976657	Type 20 Air Chambers
1462BN207-83	1462BN100-202	120RT100	440211	976664	976657	Type 20 Air Chambers
1462BN207-84	1462BN100-202	120RT100	440142	976664	976657	Type 20 Air Chambers
1462BN207-85	1462BN100-195	120RT100	440142	976664	976657	Type 18 Air Chambers
1462BN207-86	1462BN100-196	120RT100	440142	976664	976657	Type 20 Air Chambers
1462BN208-1	1462BN102-15	120RT100 *	5015458	300087	976657	Type 18 Air Chambers
1462BN208-2	1462BN102-33	120RT100	440025	300087	976657	Type 20 Air Chambers
1462BN208-3	1462BN102-33	120RT100	440025	300087	976657	Type 16 Air Chambers

All brake components are available through Bendix Commercial Vehicle Systems LLC. These parts are listed for reference to assist the fleet owner and parts organizations.



SPICER®

Drivetrain Products

Axles

Driveshafts

Off-Highway Transmissions

LONG®

Thermal Products

Transmission Oil Coolers

Engine Oil Coolers

VICTOR REINZ®

Sealing Products

Gaskets and Seals

Cylinder-Head Cover Modules

Thermal-Acoustic Protective Shielding



Dana Aftermarket Group
PO Box 321
Toledo, Ohio 43697-0321

Warehouse Distributor: 1.800.621.8084
OE Dealers: 1.877.777.5360

www.spicerparts.com

SPICER®

