

Spicer® Steer Axles

SPICER®



Illustrated Parts List

Spicer® EFA Family

AXIP-0074

February 2008

Table of Contents

Introduction	2		
About this Parts Book	2		
Abbreviations	2		
Genuine Spicer Parts	2		
Ordering Spicer Parts	2		
Spicer Parts Kits	2		
Identification	3		
Axle Assembly Tag	3		
Julian Date Code	3		
Model Identification Numbering System	3		
Model Coverage	3		
Component Part Number Location	4		
EFA Family Steer Axle Components	5		
EFA12F3 and EFA13F3 Parts Explode	34		
EFA12F3 and EFA13F3 Parts List	35		
EFA12F4 and EFA13F5 Parts Explode	36		
EFA12F4 and EFA13F5 Parts List	37		
EFA18F3, EFA20F4, EFA22T2/T5 and EFA24T2/T5 Parts List	39		
EFA Family I-Beams	40		
EFA12F4 and EFA13F5 I-Beams	40		
EFA18F3 and EFA20F4 I-Beams	41		
EFA22T2/T5 and EFA24T2/T5 I-Beams	42		
EFA Family Knuckles	43		
		EF12F4 and EF13F5 Service Assembly Knuckles*	43
		EF18F3, EF20F4, EF22T2/T5 and EF24T2/T5 Service Assembly Knuckles**	43
		EFA Family Cross Rods	44
		12F4, 13F5 Cross Rods	44
		10F4 Cross Rods	44
		18F3, 20F4, 22T2/T5 and 24T2/T5 Cross Rods	45
		EFA Family Ackerman Arms	46
		12F4, 13F5 Ackerman Arms	46
		18F3, 20F4, 22T2/T5, 24T2/T5 Ackerman Arms	47
		EFA Family Steer Arms	49
		EFA12T4, EFA18F3, EFA20F4, EFA22T2/T5, EFA24T2/T5 Steer Arms	49
		18F3, 20F4, 22T2/T5, 24T2/T5 Steer Arms	50
		EFA Family Hub and Drum	52
		12F4, 13F5 Hub and Drum Parts List	52
		18F3, 20F4, 22T2/T5, 24T2/T5 Hub and Drum Parts List	53
		EFA Family Wheel and Drum	54
		18F3, 20F4, 22T2/T5, 24T2/T5 Wheel and Drum Parts List	54
		EFA Family Part Number Conversion Tables ...	55
		EF12F4 and EF13F5 Service Assembly Knuckles	55
		EF18F3, EF20F4, EF22T2/T5 and EF24T2/T Service Assembly Knuckles	55

Introduction

About this Parts Book

This Spicer parts book is presented as an aid in the identification and procurement of replacement parts for Spicer steer axles. The information included covers the most commonly used parts.

Parts have been grouped by category such as beams and centers, knuckles and cross rods; however, Spicer recommends using kits. Whether you are using kits or individual parts, the model serviced is prominently identified in each group.

This book covers I, EF and D axles separately; determine your axle type and work from the appropriate table of contents.

Abbreviations

A/R-As Required: Parts that vary in quantity with each axle.
Example: shims.

NSS-Not Serviced Separately: Items which can only be purchased in sets, kit form, or service assemblies.

Genuine Spicer Parts

When you buy genuine Spicer replacement parts, you receive the same high quality and exacting tolerances you find in the original steer axle components.

Only genuine Spicer parts have the latest Spicer engineering improvements and assure equal or better performance than the original parts.

And Spicer backs you up with a responsive and capable service organization strategically located to provide you with emergency parts and service when you need them.

Insist on Spicer quality. Use genuine Spicer replacement parts.

Ordering Spicer Parts

Place all your parts orders through your truck dealer or manufacturer (OEM). Do not order parts directly from Spicer.

Spicer Parts Kits

Spicer Parts Kits give you an economical, convenient way to stock Spicer replacement parts. They contain all the parts you need to do a complete, professional job of overhauling or repairing your Spicer steer axle. And you have only one part number in one easily stored package to order, stock, identify, and satisfy your customer's needs.

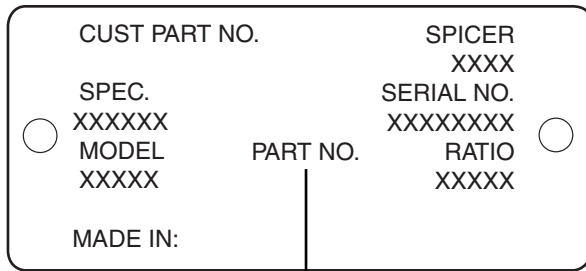
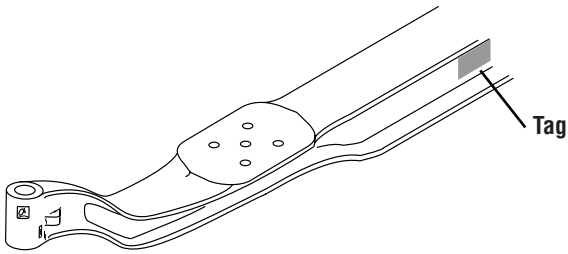
Identification

The Spicer front non-drive steering axles are identified with a tag located between the spring pads, on the front side of the center beam section.

The axle tag contains the serial number, the model number, and the assembly number.

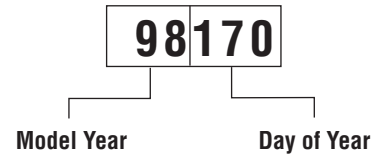
The Spicer model numbering system provides pertinent information about the axle for easy identification.

Axle Assembly Tag

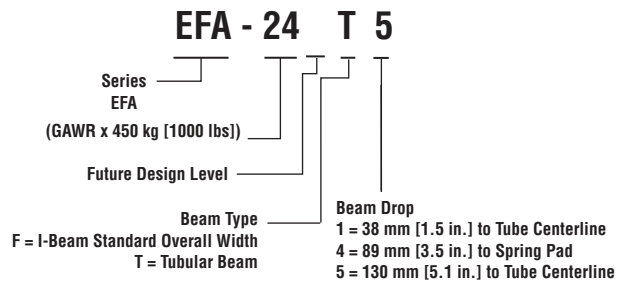


Axle Assembly Number

Julian Date Code



Model Identification Numbering System



Model Coverage

EFA Family

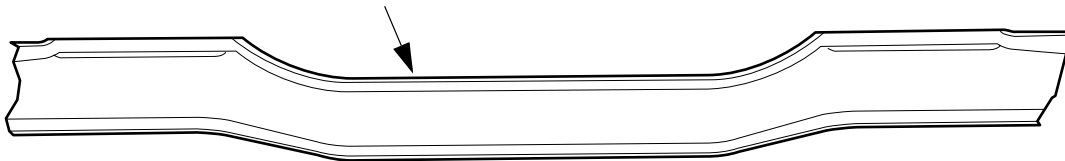
Model Number	Axle Capacity
EFA12F3	
EFA13F3	No longer manufactured
EFA12F4	12,000/13,200 lbs.
EFA13F5	
EFA18F3	Superseded by EFA20F4
EFA20F4	20,000 lbs.
EFA22T2	22,000 lbs.
EFA22T5	
EFA24T2	24,000 lbs.
EFA24T5	

Note: These nominal ratings are general guidelines. Actual load rating varies with application and duty cycle. Applications require Spicer engineering approval.

Component Part Number Location

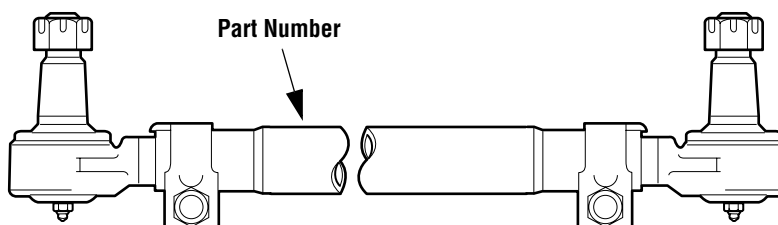
I-Beam

I-Beam forgings have the finished P/N forged in .38" high letters. The dash portion and the last digit are stamped in .38" high letters on the front side of the axle.



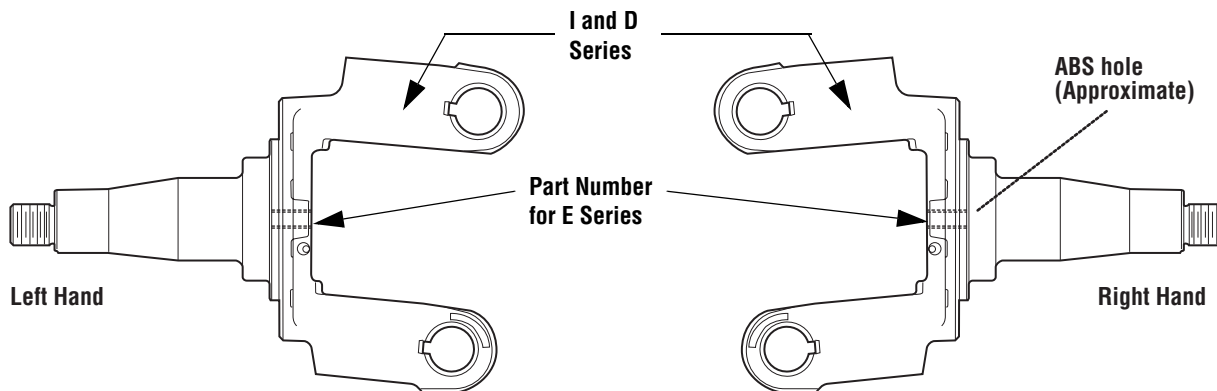
Tie Rod

Tie Rod assembly number is stamped in .125" high letters close to the end with LH threads. This also serves as an identifier to the LH side of the tube.



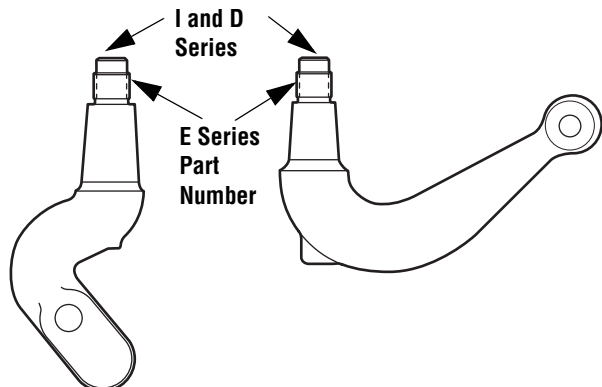
Knuckle Assembly

Knuckle assemblies have the part number stamped in two locations.



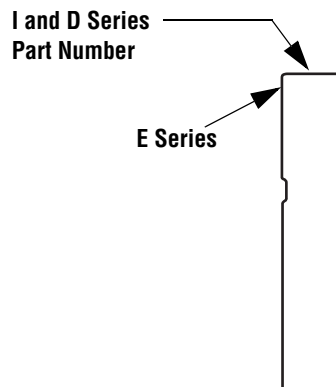
Steering Arm

Both the steering arms and tie rod arms will have the Dana part number and induction hardening code stamped in this area.



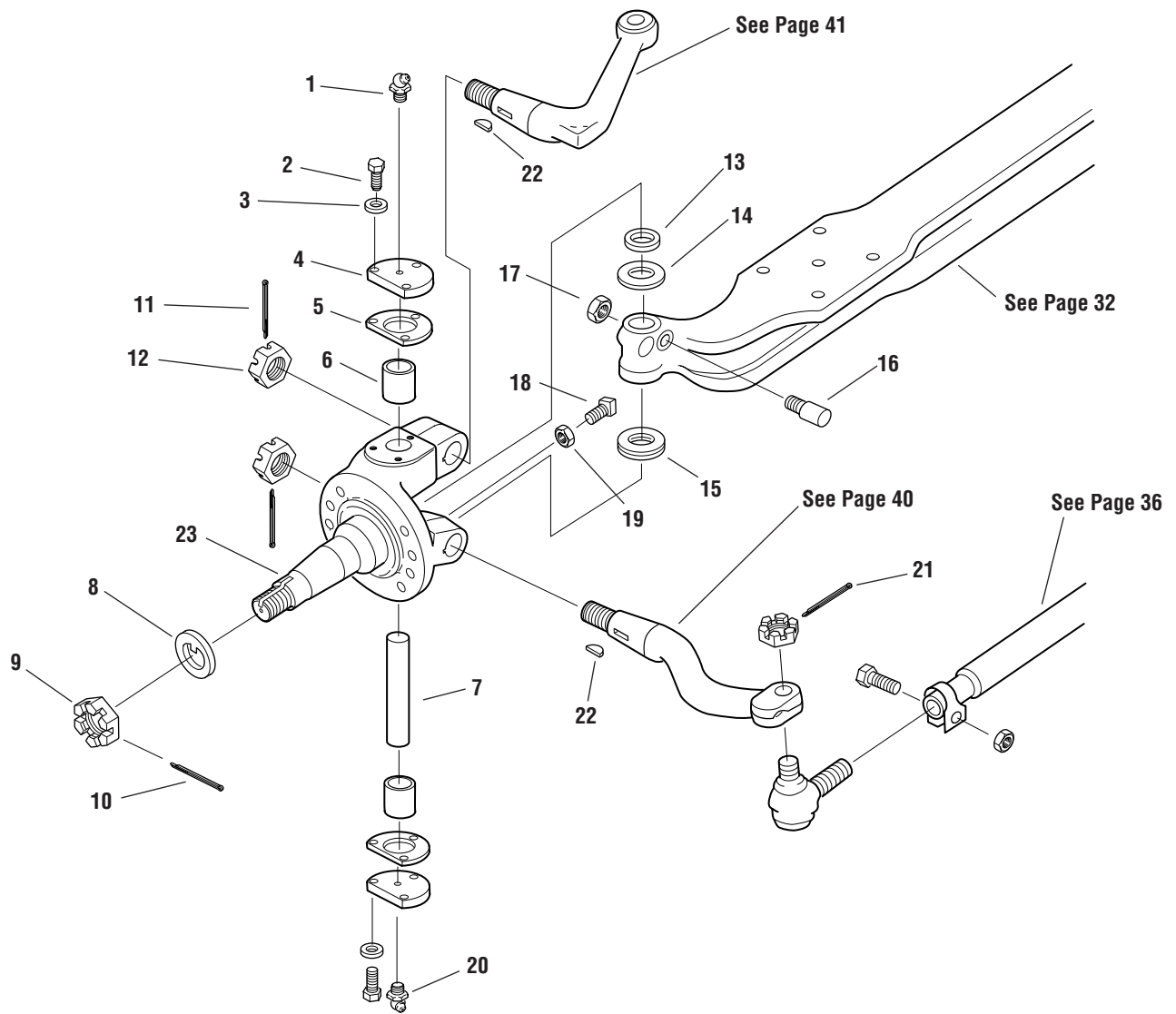
King Pin

The king pin part number is stamped in this area. Included is the manufacturing I.D. and julian date code or lot number.



EFA Family Steer Axle Components

EFA12F3 and EFA13F3 Parts Explode



EFA12F3 and EFA13F3 Parts List

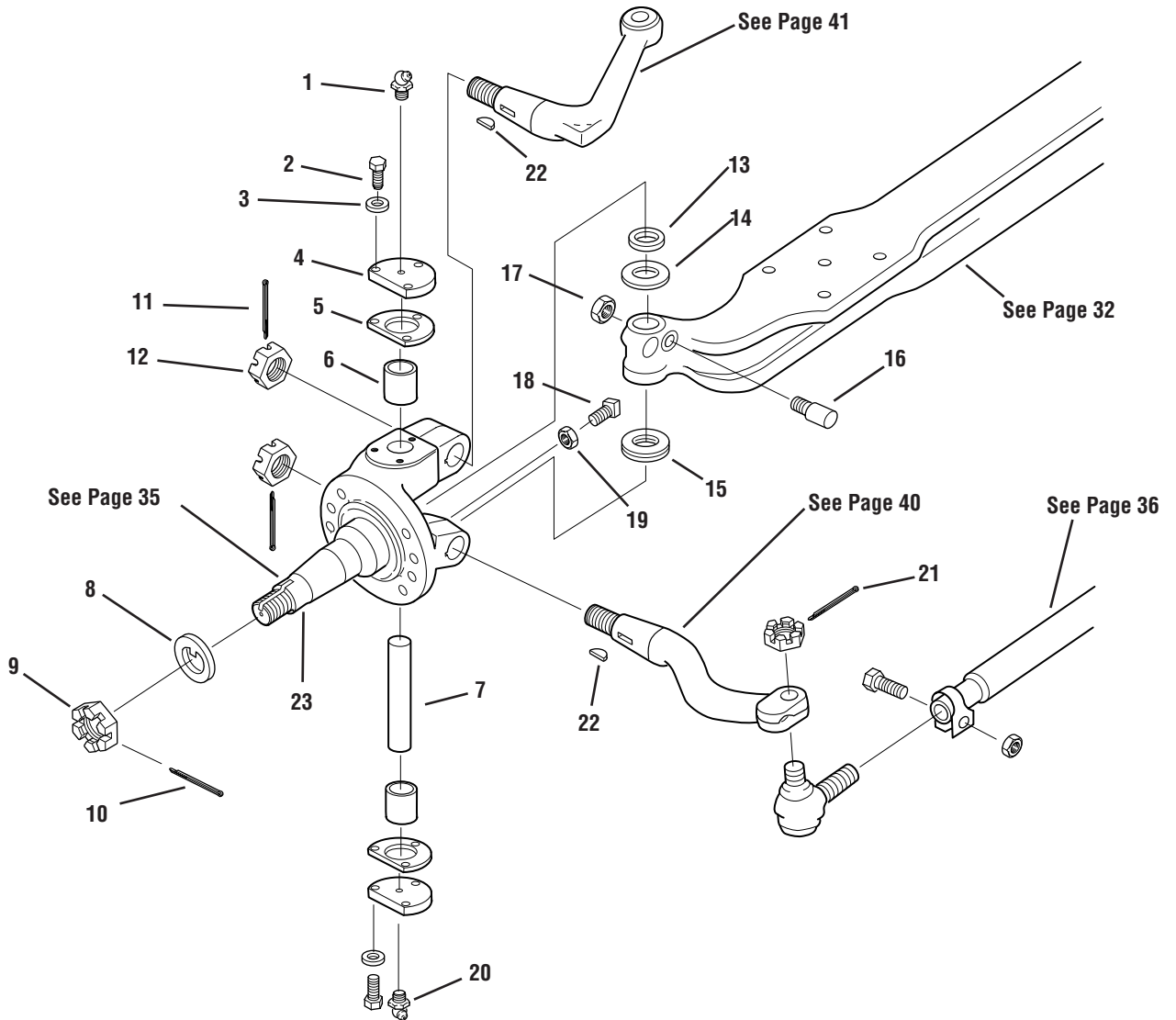
Item No.	Part Name	Qty. Per Axle	Part No.	Remarks
1	Lubrication Fitting	2	1001414*	90° Elbow
2	Hex Bolt	12	1004790*	
3	Washer	12	1004815*	
4	Knuckle Cap	4	1004779*	
5	Knuckle Cap Gasket	4	1004785*	
6	Bushing	4	1008924*	
7	Knuckle Pin	2	1009304*	
8	Washer	2	1005726	
9	Hex Nut	2	1005725	
10	Cotter Pin	2	1005727	
11	Cotter Pin	3	1004797	
12	Hex Nut	3	1004787	
13	Seal	2	1004783*	
14	Knuckle Shims	A/R	1004800*	
	.005"	A/R	1004801*	
	.010"	A/R	1004802*	
	.015"	A/R	1004802*	
	.020"	A/R	1004803*	
15	Thrust Bearing	2	1008043*	
16	Draw Key	2	813062*	
17	Prevailing Torque-type Locknut	2	1004804*	
18	Stop Screw	2	1006107	
19	Hex Locknut	2	1004793	
20	Lubricating Fitting	2	1003998*	
21	Cotter Pin	2	1004805	
22	Woodruff Key	3	1004784	
23	Steering Knuckle Sub Assy			
	LH 12F3	1	NOTE 2	
	RH 12F3	1	NOTE 2	
	LH 13F3	1	1006118	
	RH 13F3	1	1006120	Includes 6, 13
	KIT - KNUCKLE PIN REPLACEMENT (services one axle)	1	806356*	Includes parts with*

* Items included in kit.

Note 1: For proper removal and installation of steer knuckle bushings and seals, use Spicer installation tool part number 700291.

Note 2: Steer Knuckles for EFA12F3 steer axles are no longer available. It will be necessary to purchase the Steer Knuckle Conversion Kit Part No. 806368. Both steer knuckles must be replaced. Kit includes items 1, 4-5, 7, 10-11, 14-17, 20-21 & 23.

EFA12F4 and EFA13F5 Parts Explode



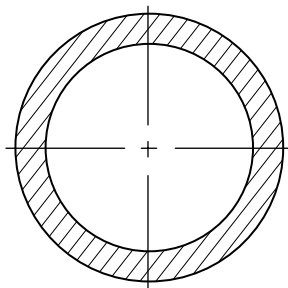
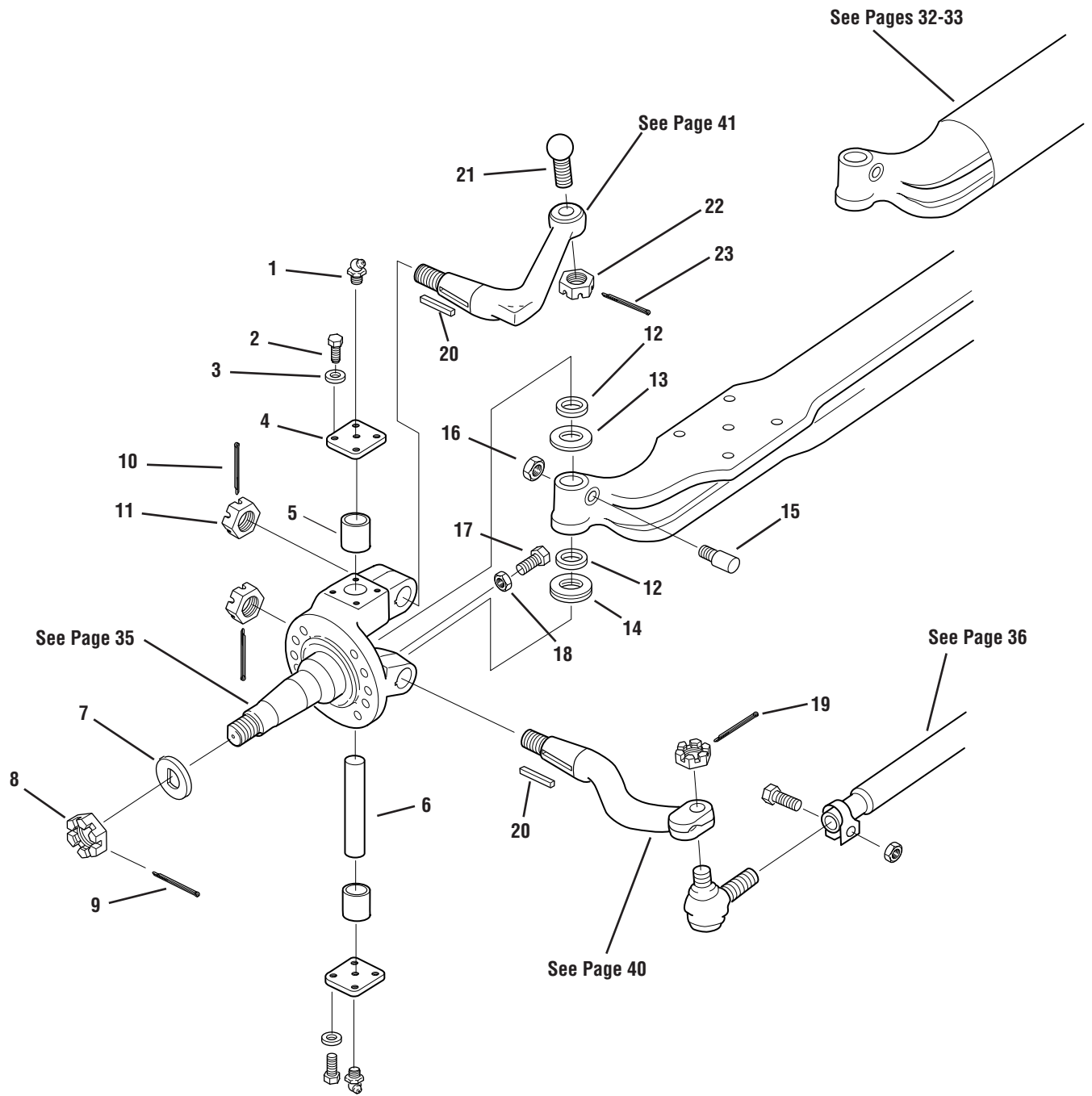
EFA12F4 and EFA13F5 Parts List

Item No.	Part Name	Qty.	Per Axle	12F4 Part No.	13F5 Part No.	Remarks	
1	Lubrication Fitting	2		1001414*	1001414*	90° Elbow	
2	Hex Bolt	12		1004790*	1004790*		
3	Washer	12		1004815*	1004815*		
4	Knuckle Cap	4		1004779	1004779		
5	Knuckle Cap Gasket	4		1004785*	1004785*		
6	Bushing	4		1008924*	1008924*		
7	Knuckle Pin	2		1009304*	1009304*		
8	Washer	2		1005726	1005726		
9	Hex Nut	2		1005725	1005725		
10	Cotter Pin	2		1005727	1005727		
11	Cotter Pin	3		1004797	1004797		
12	Hex Nut	3		1004787	1004787		
13	Seal	4		1004783*	1004783*		
14	Knuckle Shims	.005"	A/R	1004800*	1004800*		
		.010"	A/R	1004801*	1004801*		
		.015"	A/R	1004802*	1004802*		
		.020"	A/R	1004803*	1004803*		
15	Thrust Bearing	2		1008360*	1008360*		
16	Draw Key	2		816239	816239		
17	Prevailing Torque-type Locknut	2		1004804*	1004804*		
18	Stop Screw	2	1/2" Thread	1006107	5/8" Thread	807783	25° - 34° Wheel Cut
				1008888		807782	30° - 40° Wheel Cut
				1006256		807781	35° - 45° Wheel Cut
						807780	40° - 50° Wheel Cut
19	Hex Locknut	2		1004793	821336		
20	Lubricating Fitting	2		1003998*	1003998*	Straight	
				806661		45°	
21	Cotter Pin	2		1004805	1004805		
22	Woodruff Key	3		1004784	1004784		
	KIT - KNUCKLE PIN REPLACEMENT (services one axle)	1		806355*	806355*	Includes parts with*	

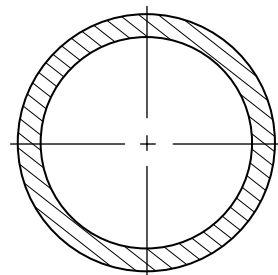
* Items included in kit.

Note: For proper removal and installation of steer knuckle bushings and seals, use Spicer installation tool part number 700291.

EFA18F3, EFA20F4, EFA22T2/T5 and EFA24T2/T5 Parts Explode



EFA-24T2/T5
6 3/8" x 13/16" Tube



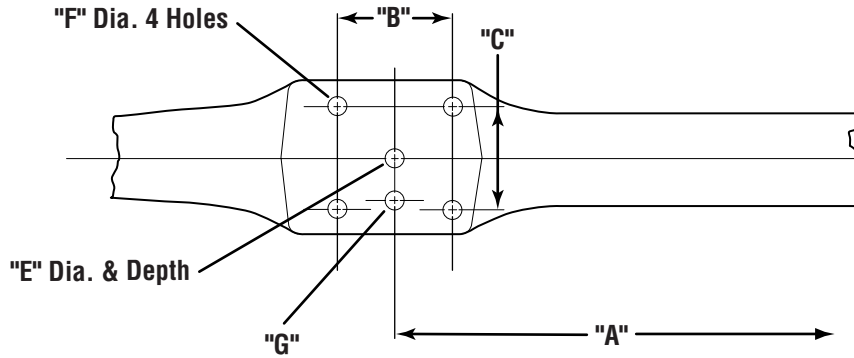
EFA-22T2/T5
6" x 5/8" Tube

EFA18F3, EFA20F4, EFA22T2/T5 and EFA24T2/T5 Parts List

Item No.	Part Name	Qty. Per Axle	Part No.	Remarks
1	Lubrication Fitting	4	1001414*	90° Elbow
2	Hex Bolt	16	1004790*	
3	Washer	16	1004815*	
4	Knuckle Cap	4	820584*	
5	Bushing (81786 Bronze)	4	806334*	
6	Knuckle Pin	2	806333*	Length 9.95", Dia 1.75"
7	Washer	2	820600	
8	Hex Nut	2	820720	
9	Cotter Pin	2	821237	
10	Cotter Pin	Varies	1004797	
11	Hex Nut	Varies	821205	
12	Seal	4	820518*	
13	Knuckle Shims	.005"	A/R	820596*
		.010"	A/R	820587*
		.015"	A/R	820598
		.020"	A/R	820599*
		.030"	A/R	811522*
14	Thrust Bearing	2	811523*	
15	Draw Key	2	820587*	
16	Prevailing Torque-type Locknut	2	1004804*	
17	Stop Screw	2	821316*	26°-34° Wheel Cut
18	Hex Locknut	2	821336*	
19	Cotter Pin	2	1004805	
20	Woodruff Key	Varies	820588	
21	Steer Arm Ball Stud	Varies	820339	
22	Ball Stud Nut	Varies	820724	
23	Ball Stud Cotter Key	Varies	90556	
	Gasket Compound	A/R	107276*	
	KIT - KNUCKLE PIN REPLACEMENT (services one axle)	1	811525*	Includes parts with*

* Items included in kit.

EFA Family I-Beams



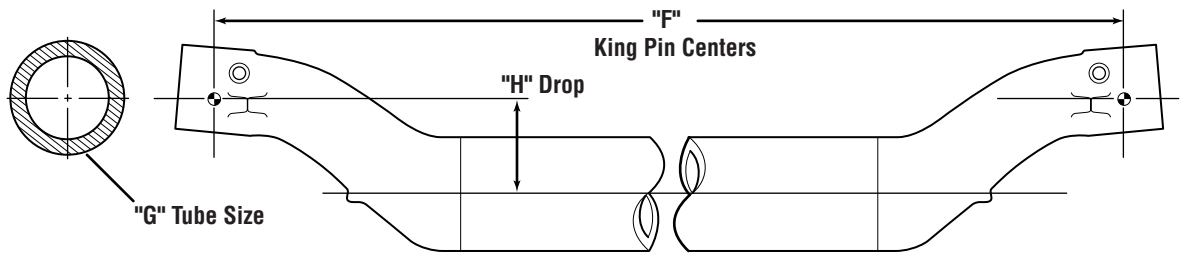
EFA12F4 and EFA13F5 I-Beams

Note: 12F4 and 13F5 are rated for the same capacity, the 13F5 uses a drop beam and different tie rod arms. All other parts are the same.

"A"	"B"	"C"	"D"	"E"	"F"	"G"	"H"	Part No.
31.25	3.812	4.25	.656	.63	.781			807595
	4.812	4.50	.781	1.00	.781			810460
		4.25	.812	.69	.812			806717
32.00	3.812	4.25	.656	.63	.781			1009349
32.50	4.312	4.25	.765	.62	.812			1006079
			.812	.78	.812			1004811
	4.438	4.25	.765	.62	.938			1004810
	4.812	4.25	.812	.63	.812	1.94	.812	1004758 *
		4.50	.781	1.00	.781			1006800
			.812	.69	.812			1008336
32.75	3.812	4.25	.812	.69	.812			1006122
33.00	4.812	4.25	.812	.69	.812			1008054
	4.938	4.25	.765	.69	.938			1008544
33.94	4.310	4.25	.812	.50	.812			809591
34.00	3.812	4.25	.656	.63	.781			806549
			.781	.62	.812			807435
	3.940	4.25	.812	.69	.940			808519
			.650	.75	.812			807873
	4.812	4.25	.812	.63	.812	1.94	.812	1008434
				.78	.812			1005773
	4.938	4.25	.812	.63	.938	1.94	.812	1008889
34.50	4.938	4.25	.813	.75	.940			809491
35.00	4.812	4.25	.812	.69	.812			807901
35.25	4.812	4.25	.812	.62	.812			1009230
	3.820	4.75	.781	.62	.781			1006366
36.00	4.812	4.25	.781	.62	.781			1006905
		4.25	1.000	.75	.781			1008759
36.25	1.650	4.84	1.000	.63	.750			810296
38.00	4.312	4.25	.765	.62	.812			1008814
39.62	4.312	4.25	.812	.69	.812			1008615
26.76								812350

EFA18F3 and EFA20F4 I-Beams

"A"	"B"	"C"	"D"	"E"	"F"	"G"	"H"	Part No.
31.25	3.810	4.25	.656	.63	.780			807391
32.00	3.812	4.25	.656	.63	.781			820618
	3.938	4.25			.938			820616
	4.940	4.25	.812	.69	.940			806780
32.50	4.310	4.25	.812	.78	.810			806669
	4.938	4.25	.813	.69	.938			820617
		4.50	.812	.69	.938			820621
	4.940	4.25	.812	.69	.940			821827
34.00	3.938	4.25	.812	.69	.938			820619
	4.060	4.50	.780	.63	1.060			807574
	4.940	4.25	.812	.78	.940			808093
								809813*
		4.50	.656	.75	.940			807558
34.50	4.938	4.25	.812	.69	.938			820620
34.75	3.940	4.50	.812	.81	.940			808783
35.75	3.940	4.25	.812	.69	.940			807231
36.00	3.940	4.25	.812	.69	.940			808386



EFA22T2/T5 and EFA24T2/T5 I-Beams

"P"(in)	Model 22T2 "G" = 6 x .625 in "H" = 1.5 in	Model 22T5 "G" = 6 x .625 in "H" = 5.12 in	Model 24T2 "G" = 6.38 x .812 in "H" = 1.5 in	Model 24T5 "G" = 6.38 x .812 in "H" = 5.12 in
64.5	821824			809827
67.0	822202			
68.5	820571	820528		820665
69.0	820572	820820		
69.5	820573	809339		809710
70.0	820574	820529		808959
70.5		820530		
71.0		820531		
73.0	820575			
75.0		820532		820666
76.0	820576	822151		
78.0		822214		820667
79.0	820577			
79.5		820533		
80.5	820578			
81.0	820579			
81.5				822224
82.0	820508			
83.0	820534			
83.5	811069	810333		
84.0			820591	
87.5	822085		820592	
90.0	820580	820535		
92.5		820536		
91.0	820581			
93.0	820582		820593	821832
93.5	820583		820594	
94.5			822217	
95.0			822178	
96.5			820595	
101.0	820570			
103.0			820589	
104.0				821831
104.5			820590	
106.0	809208	821819		
112.0				811509

EFA Family Knuckles

EF12F4 and EF13F5 Service Assembly Knuckles*

Part No.	(NSS)	A	B	C	D in (mm)
813527	820957	Shown	Shown	LH	5.50
813781	820961	Opposite	Opposite	RH	(13.97)
813526	821857	Opposite	Opposite	LH	
821874	821861	Shown	Shown	RH	
821873	821859	No Hole	Shown	LH	
821875	821863	No Hole	Opposite	RH	
820970	820959	Boss Removed	Shown	LH	
813782	820963	Boss Removed	Opposite	RH	
813783	820965	Opposite	Shown	LH	
813784	821870	Shown	Opposite	RH	
821877	821868	Shown	Opposite	LH	
821876	821866	Opposite	Shown	RH	
812452	812436	Boss Removed	Shown	LH	
812453	812437	Shown	Shown	RH	

* Service assembly includes 2 King Pin Bushings 1008924 and 1 Knuckle Seal 1004783

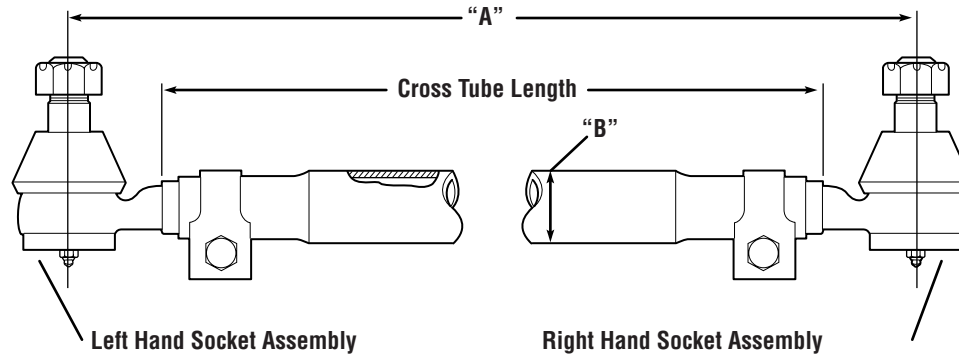
EF18F3, EF20F4, EF22T2/T5 and EF24T2/T5 Service Assembly Knuckles**

Part No.	(NSS)	A	B	C	D in (mm)
	820468	No Hole	Shown	LH	6.75
	820475	No Hole	Opposite	RH	(17.15)
820522	820477	Shown	Shown	LH	
820523	820479	Opposite	Opposite	RH	
813774	820481	Opposite	Shown	LH	
813775	820483	Shown	Opposite	RH	
	820485	Opposite	Opposite	LH	
	820487	Shown	Shown	RH	
	822068	Shown	Opposite	LH	
	820469	Opposite	Shown	RH	
820520	820473	Boss Removed	Shown	LH	
820519	820471	Boss Removed	Opposite	RH	
822218	822190	Shown	Shown	LH	5.75
822219	822191	Opposite	Opposite	RH	(14.61)
813778	822192	Opposite	Shown	LH	
813779	822193	Shown	Opposite	RH	

** Service assembly includes King Pin Bushing 806334 and 2 Knuckle Seals 820518

Note: See the last page of this manual for the Part Number Conversion Table.

EFA Family Cross Rods



12F4, 13F5 Cross Rods

Thread Size in (mm)	Rod Type	B in (mm)	A in (mm)	Vertical Socket Assy		Part No.	Cross Rod Length .in (mm)	Part No.		
				LH	RH					
1.125 (28.58)	Tubular	1.75 (44.45)	62.20 (1681.48)	1009009	1009010	811939	54.61 (1387.09)	811940		
				1006146	1006147	1006144	59.43 (1509.52)	1006150		
			140TR109	140TR110	1006144	59.43 (1509.52)	1005692			
			65.75 (1670.05)	1006146	1006147	1006145	60.50 (1536.70)	1006151		
				140TR109	140TR110	1006145	60.50 (1536.70)	1005693		
			67.54 (1715.52)	1009009	1009010	1009011	54.61 (1387.09)	821067		
		140TR109		140TR110	806963	62.30 (1582.42)	806962			
		2.00 (50.80)	Tubular	2.00 (50.80)	67.60 (1717.04)	1009009	1009010	811941	56.30 (1430.02)	811942
						140TR109	140TR110	1008847	59.43 (1509.52)	1008846
					65.75 (1670.05)	1006146	1006147	1006732	60.50 (1536.70)	1006734
						140TR109	140TR110	1006732	60.50 (1536.70)	1008060

10F4 Cross Rods

Thread Size in (mm)	Rod Type	B in (mm)	A in (mm)	Vertical Socket Assy		Part No.	Cross Rod Length .in (mm)	Part No.	
				LH	RH				
1.125 (28.58)	Tubular	1.63 (41.40)		812817	812816				
				1009009	1009010	815694			
				1009009	1009010	815697			
				62.20 (1681.48)	1009009	1009010	811939	54.61 (1387.09)	811940
					1006146	1006147	1006144	59.43 (1509.52)	1006150
				64.69 (1643.13)	140TR109	140TR110	1006144	59.43 (1509.52)	1005692
					140TR109	140TR110	1008847	59.43 (1509.52)	1008846
				65.75 (1670.05)	1006146	1006147	1006145	60.50 (1536.70)	1006151
					1006146	1006147	1006732	60.50 (1536.70)	1006734
				140TR109	140TR110	1006145	60.50 (1536.70)	1005693*	

*813975 OBS replaced by 1005693

10F4 Cross Rods (continued)

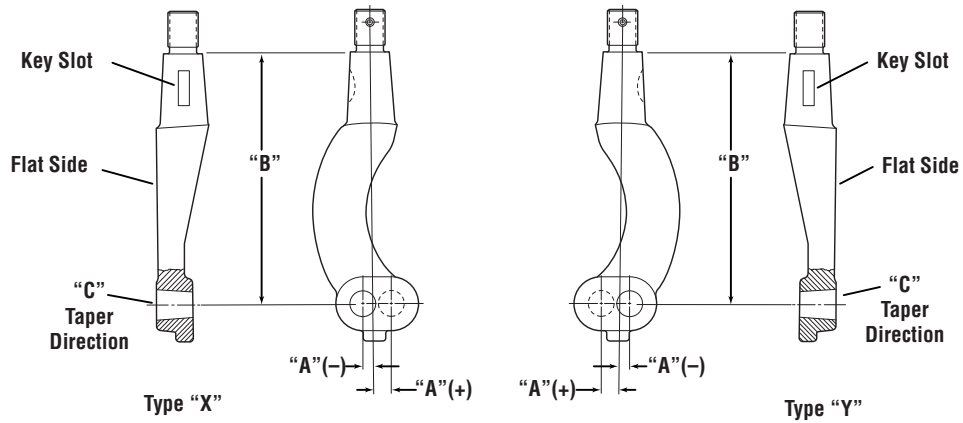
Thread Size in (mm)	Rod Type	B in (mm)	A in (mm)	Vertical Socket Assy		Cross Rod		Part No.
				LH	RH	Part No.	Length .in (mm)	
1.125 (28.58)	Tubular	1.63 (41.40)		1009009	1009010	1009011	54.61 (1387.09)	821067
			66.77 (1695.96)	140TR109	140TR110	1006732	60.50 (1536.70)	1008060
			67.54 (1715.52)	140TR109	140TR110	806963	62.30 (1582.42)	806962
				140TR109	140TR110	1009249	62.30 (1582.42)	1009248
			67.60 (1717.04)	1009009	1009010	811941	56.30(1430.02)	811942

*813975 OBS replaced by 1005693

18F3, 20F4, 22T2/T5 and 24T2/T5 Cross Rods

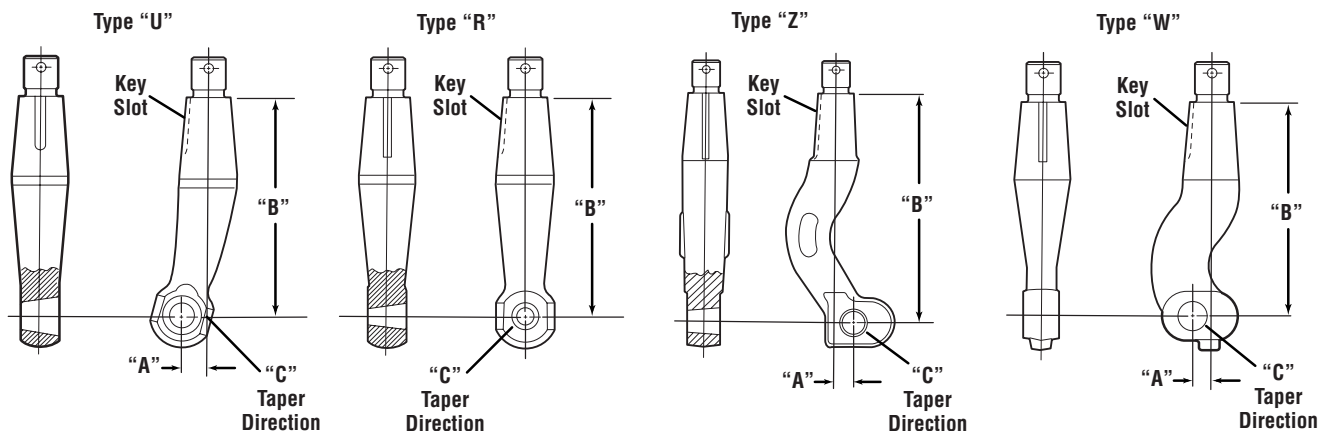
Rod Type	B in (mm)	Thread Size in (mm)	A in (mm)	Part No.	Vertical Socket Assy		Cross Rod	
					LH	RH	Part No.	Length .in (mm)
Tubular	1.75 (44.45)	1.25 (31.75)	60-64 (1524-1626)	820623	820626	820627	820661	54 (1371.6)
	2.00 (50.80)	1.25 (31.75)	54-57.9 (1372-1471)	822379	820626	820627	820631	48 (1219.2)
			58-61.9 (1473-1572)	822074	820626	820627	820632	52 (1320.8)
			62-65.9 (1575-1674)	822073	820626	820627	820633	56 (1422.4)
			66-69.9 (1676-1775)	822076	820626	820627	820634	60 (1524.0)
			70-73.9 (1778-1877)	822077	820626	820627	820635	64 (1625.6)
			74-77.9 (1880-1979)	821828	820626	820627	820636	68 (1727.2)
			78-81.9 (1981-2080)	822081	820626	820627	820637	72 (1828.8)
			82-83.9 (2083-2131)	822078	820626	820627	820638	76 (1930.4)
			86-89.9 (2184-2284)	821829	820626	820627	820639	80 (2032.0)
			86-89.9 (2184-2284)	821838	820626	820627	821842	80 (2032.0)
			90-93.9 (2286-2385)	821839	820626	820627	821843	84 (2133.6)
			90-94 (2286-2388)	822083	820626	820627	820640	84 (2133.6)
			94-97.9 (2388-2487)	821840	820626	820627	821844	88 (2235.2)
			98-101.9 (2489-2588)	821841	820626	820627	821845	92 (2336.8)
	1.50 (38.10)		61-62.9 (1549-1598)	822086	820701	820702	820669	56 (1422.4)
			61-62.9 (1549-1598)	820676	820694	820695	820669	56 (1422.4)
			63-64.9 (1600-1648)	822075	820701	810702	820670	58 (1473.2)
			63-64.9 (1600-1648)	822075	820701	820702	820670	58 (1473.2)
			63-64.9 (1600-1648)	820677	820694	820695	820670	58 (1473.2)
			77-78.9 (1956-2004)	822080	820694	820695	820671	72 (1828.8)
			83-84.9 (2108-2157)	822106	820694	820695	822107	78 (1981.2)
			85-86.9 (2159-2207)	822082	820694	820695	820672	80 (2032.0)
			87-88.9 (2210-2258)	822180	820694	820695	822179	82 (2082.8)
			93-94.9 (2362-2411)	820678	820694	820695	820673	88 (2235.2)
			95-96.9 (2413-2461)	820679	820694	820695	820674	90 (2286.0)
			97-98.9 (2464-2512)	821833	820694	820695	820675	92 (2336.8)
			99-100.9 (2515-2563)	822377	820694	820695	822376	94 (2387.6)
			123-124.19 (3124-3154)	822350	820694	820695	820668	118 (2997.2)

EFA Family Ackerman Arms



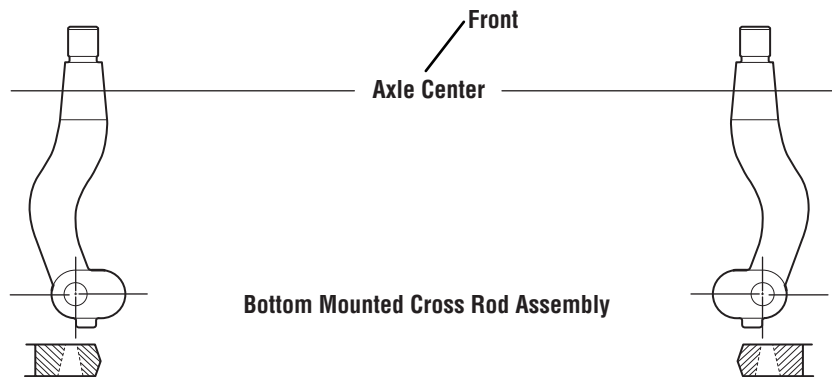
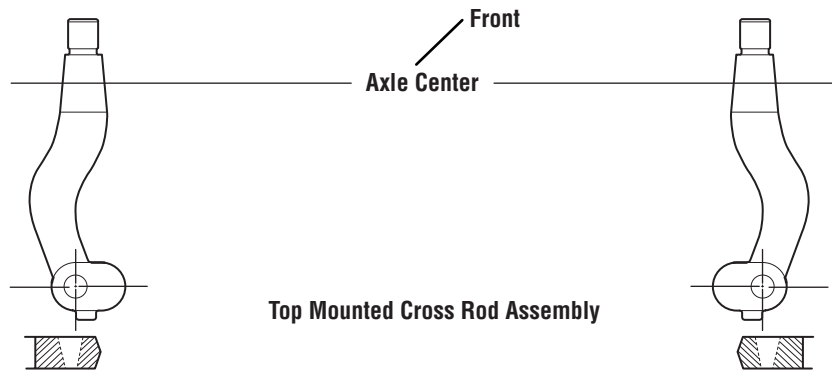
12F4, 13F5 Ackerman Arms

B		A (+)		Part No.	C	Type		
in	(mm)	in	(mm)					
7.625	(193.68)	-1.260	(32.00)	812104	Shown	X		
				812105	Shown	Y		
		-1.060	(29.92)	812102	Shown	X		
				812103	Shown	Y		
		-.790	(20.07)	811876	Shown	X		
				811877	Shown	Y		
8.625	(219.08)	-.790	(20.01)	806570	Opposite	Y		
				806571	Opposite	X		
				806664	Shown	X		
				806665	Shown	Y		
		.213	(5.41)	807404	Shown	Y		
				807405	Shown	X		
9.625	(235.33)	-.402	(10.21)	821003	Shown	Y		
				821013	Opposite	X		
				821015	Opposite	Y		
				.110	(2.79)	820997	Shown	X
						820999	Shown	Y
				.270	(6.86)	821009	Opposite	X
		821011	Opposite			Y		
		821021	Opposite			X		
		821023	Opposite			Y		
		.637	(16.18)	821017	Opposite	X		
				821019	Opposite	Y		
		10.310	(261.87)	-.402	(10.21)	821005	Opposite	X
821007	Opposite					Y		
.110	(2.79)			1004774	Shown	X		
				1004775	Shown	Y		
				1004772	Shown	X		
				1004773	Shown	Y		
.637	(16.18)	1004770	Shown	X				
		1004771	Shown	Y				



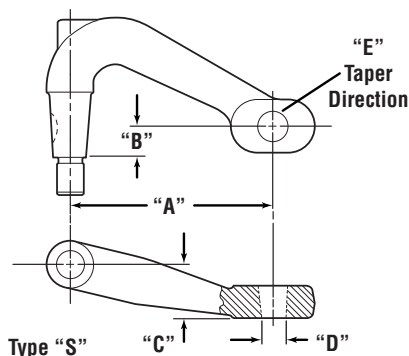
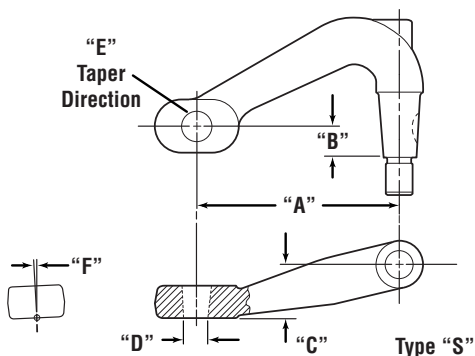
18F3, 20F4, 22T2/T5, 24T2/T5 Ackerman Arms

B		A (+)		Part No.	C	Type				
in	(mm)	in	(mm)							
8.450	(214.63)	0		806344	Opposite	W				
				806343	Shown	W				
		.300	(7.62)			810657	Opposite	W		
						810656	Shown	W		
		.500	(12.7)			806348	Opposite	W		
						806347	Shown	W		
		.750	(19.1)			810189	Opposite	W		
						810188	Shown	W		
						808734	Opposite	Z		
						808733	Opposite	Z		
		.98	(24.98)			820692	Shown	U		
						820691	Opposite	U		
		1.00	(25.4)			806346	Opposite	W		
						806345	Shown	W		
8.68	(220.47)	0		820698	Shown	R				
				820696	Opposite	R				
10.52	(267.21)	.875	(22.35)	1009398	Opposite	Z				
				1009397	Shown	Z				
				820496	Opposite	Z				
				820495	Shown	Z				
				1.62	(41.15)			820498	Opposite	Z
								820497	Shown	Z



Note: Above arms shown in a relative position to the axle center and cross rod assembly mounting.

EFA Family Steer Arms

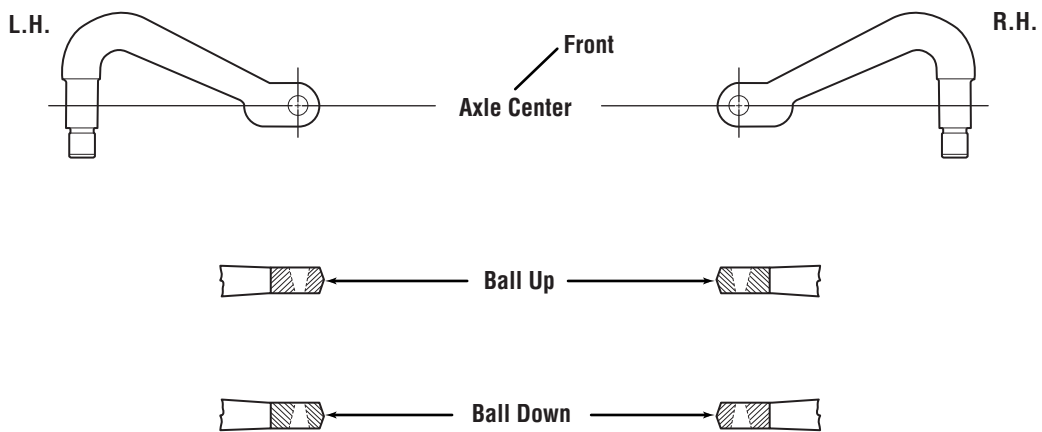
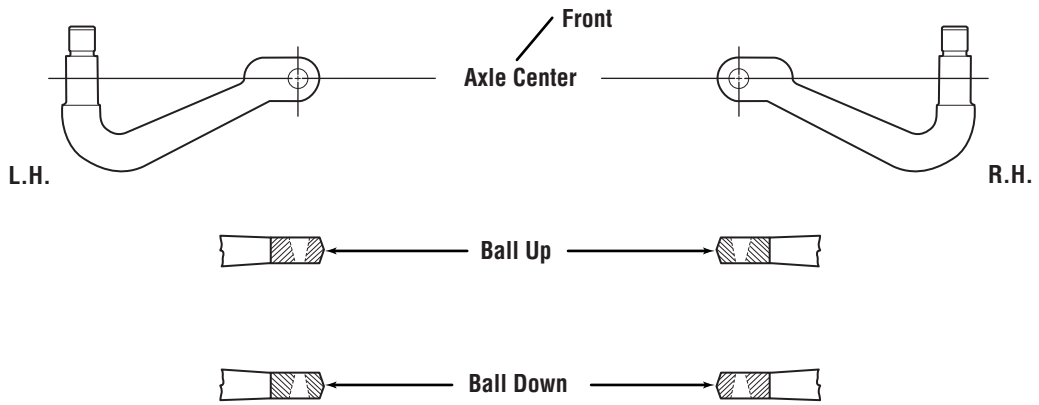


EFA12T4, EFA18F3, EFA20F4, EFA22T2/T5, EFA24T2/T5 Steer Arms

B	D	C	A	Part No.	E	F	G
1.13	1.045	2.42	8.125	808533	Opposite	0	"S"
1.25	.937	.864	7.842	810994	Opposite	0	"S"
	1.033	1.92	9.804	808486	Opposite	0	"S"
				808487	Shown	0	"S"
			10.875	808485	Opposite	0	"S"
		2.26	9.125	808552	Shown	0	"S"
				808553	Opposite	0	"S"
		2.42	8.125	808530	Opposite	0	"S"
		4.58	9.804	808481	Shown	0	"S"
			10.875	808480	Shown	0	"S"
1.045		1.92	9.804	808488	Opposite	0	"S"
		2.26	9.125	808554	Shown	0	"S"
				808555	Opposite	0	"S"
		2.42	8.125	808528	Shown	0	"S"
			8.625	808529	Shown	0	"S"

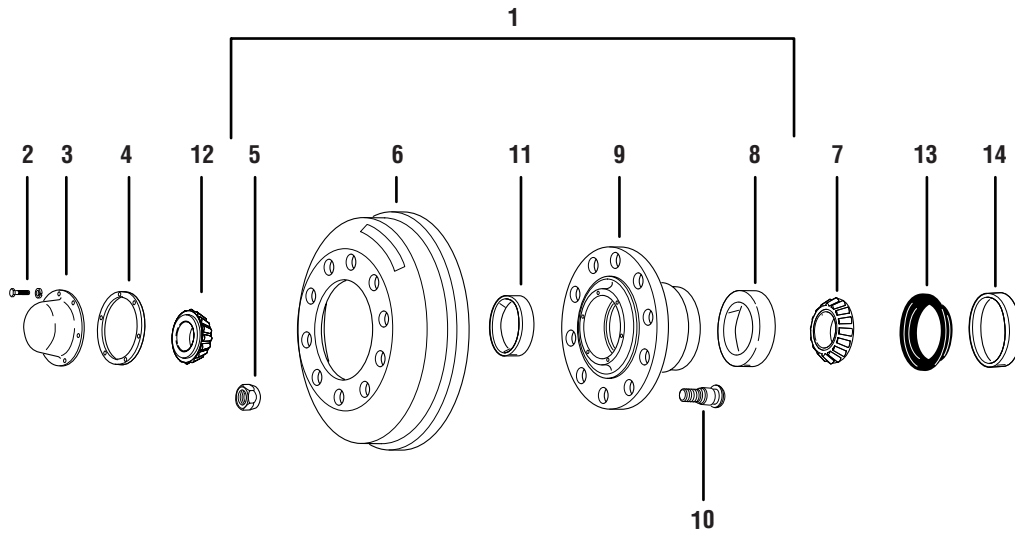
18F3, 20F4, 22T2/T5, 24T2/T5 Steer Arms

D	B	C	A	Part No.	E	Type
1.047	1.300	.75	7.81	820505	Shown	"T"
				820506	Opposite	"T"
			8.36	820501	Shown	"T"
				820503	Opposite	"T"
			8.81	820502	Shown	"T"
				820504	Opposite	"T"
			9.81	820509	Shown	"T"
				820511	Opposite	"T"
			10.81	820510	Shown	"T"
				820512	Opposite	"T"
			12.37	820516	Shown	"T"
				820517	Opposite	"T"
			13.81	820515	Shown	"T"
	3.76		7.25	820687	Shown	"T"
				821835	Shown	"S"
			8.25	820688	Shown	"T"
				820689	Shown	"S"



Note: Above arms shown in a relative position to the axle center. Most axles use only 1 steer arm – usually on the left side although some right side applications may be found. Some steer axles use 2 steer arms in special applications.

EFA Family Hub and Drum



12F4, 13F5 Hub and Drum Parts List

Item No.	Part Name	Part No.	Remarks
1	Hub & Drum Assy LH	821339	15 x 4 Drum
	Hub & Drum Assy RH	821340	15 x 4 Drum
	Hub & Drum Assy LH	821341	16.5 x 5 Drum
	Hub & Drum Assy RH	821342	16.5 x 5 Drum
	Hub & Drum Assy LH	827343	16.5 x 6 Drum
	Hub & Drum Assy RH	821344	16.5 x 6 Drum
	2	Bolt & Lockwasher Assy	821241
3	Hub Cap	821187	
		821338	Stemco w/o Plug (Window)
		821907	Stemco w/Plug (Window)
4	Hub Cap Gasket	821188	
		1008569	Stemco
5	Outer Cap Nut LH	F-1847-7	
	Outer Cap Nut RH	F-1847-8	
6	Brake Drum 15 x 4	1008580-03	
	Brake Drum 16.5 x 5	1008580-04	
	Brake Drum 16.5 x 6	1008580-05	
7	Inner Bearing Cone	1008585	
8	Inner Bearing Cup	1008911	
9	Front Hub Assy LH-15 x 4	809048	Includes Items 8, 10 & 11
	Front Hub Assy RH-15 x 4	809049	
10	Serrated Stud LH-15 x 4	809046	
	Serrated Stud RH-15 x 4	809047	
	Serrated Stud LH-16.5	1008580-06	
	Serrated Stud RH-16.5	1008580-07	
11	Outer Bearing Cup	14024	
12	Outer Bearing Cone	1008586	
13	Hub Seal	821346	
14	Seal Ring	821345	

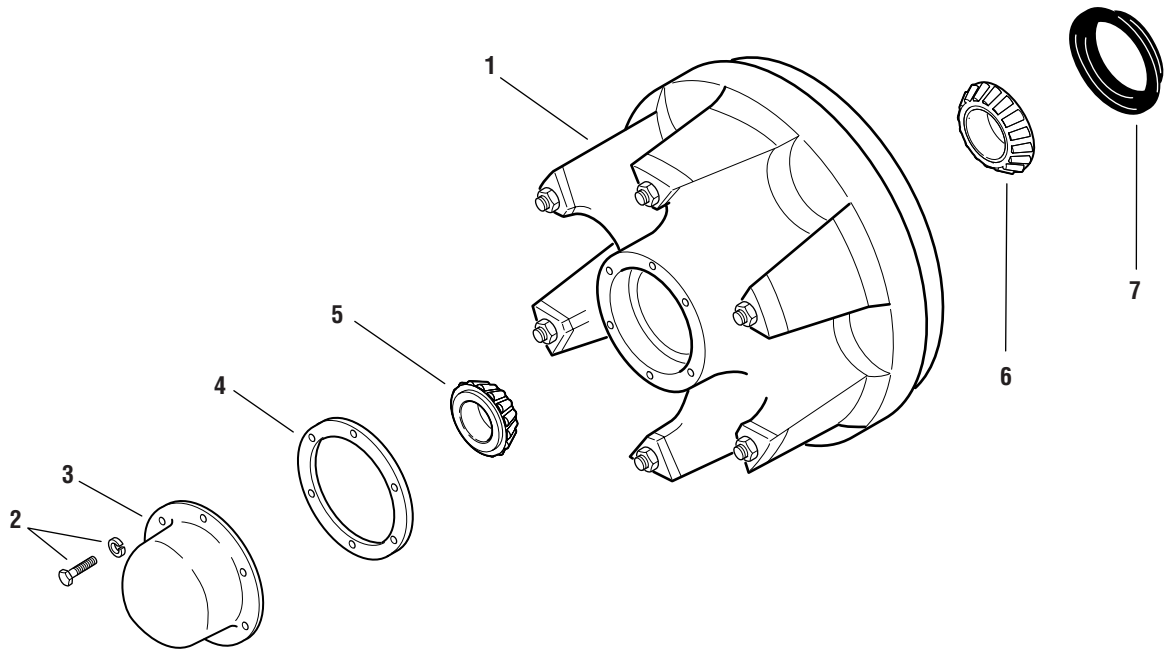
18F3, 20F4, 22T2/T5, 24T2/T5 Hub and Drum Parts List

Item No.	Part Name	Part No.	Remarks
1	Hub & Drum Assy LH	821846	
	Hub & Drum Assy RH	821847	
2	Bolt & Lockwasher Assy	821242	
3	Hub Cap	821187	
		821338	Stemco w/o Plug (Window)
		821907	Stemco w/Plug (Window)
4	Hub Cap Gasket	821188	
		1008569	Stemco
5	Outer Cap Nut LH	90274	
	Outer Cap Nut RH	90273	
6	Brake Drum 16.5 x 6	820643	
7	Inner Bearing Cone	820642*	
8	Inner Bearing Cup	23127	
9	Front Hub Assy LH	821848	Includes Items 8, 10 & 11
	Front Hub Assy RH	821849	
10	Serrated Stud LH	F-1847-9	
	Serrated Stud RH	F-1847-10	
11	Outer Bearing Cup	1008912	
12	Outer Bearing Cone	820643*	
13	Hub Seal	820663	Mechanex
		822072*	National
		810196	Stemco
14	Seal Ring	810797	Stemco
	KIT - BEARING CONE & SEAL KIT	821834*	Includes parts with*

* Items included in kit.

EFA Family Wheel and Drum

18F3, 20F4, 22T2/T5, 24T2/T5 Wheel and Drum Explode



18F3, 20F4, 22T2/T5, 24T2/T5 Wheel and Drum Parts List

Item No.	Part Name	Part No.	Remarks
1	20" Wheel & Drum Assy 16.5 x 6	820658	8" Max. Rim
	20" Wheel & Drum Assy 16.5 x 6	820659	(1)
	24" Wheel & Drum Assy 16.5 x 6	820660	(1)
	24" Wheel & Drum Assy 16.5 x 6	821830	(1) Heavy Duty Wheel
2	Bolt & Lockwasher Assy	821242	
3	Hub Cap	821187	
4	Hub Cap Gasket	821188	
		1008569	Stemco
5	Outer Bearing Cone	820643*	
6	Inner Bearing Cone	820642*	
7	Hub Seal	820663	Merchanex
		822072*	National
		810196	Stemco
		810197	Stemco
		KIT - BEARING CONE & SEAL KIT	821834*

*Items included in kit.

(1) With rim clamps for 8.5 Firestone or 8.5, 9.0 & 10.0 Goodyear rims.

EFA Family Part Number Conversion Tables

EF12F4 and EF13F5 Service Assembly Knuckles

Old Part No.	New Part No.
820969	813527
820971	813781
821872	813526
821874	813789
821873	No Change
821875	No Change
820970	813780
820972	813782
820973	813783
821878	813784
821877	No Change
821876	No Change
821452	813787
821453	813788

EF18F3, EF20F4, EF22T2/T5 and EF24T2/T Service Assembly Knuckles

Old Part No.	New Part No.
820522	813530
820523	813529
820524	813744
820525	813775
820526	No Change
820520	No Change
820519	No Change
822218	813776
822219	813777
822256	813778
822257	813779



SPICER®

Drivetrain Products

Axles
Driveshafts
Off-Highway Transmissions

LONG®

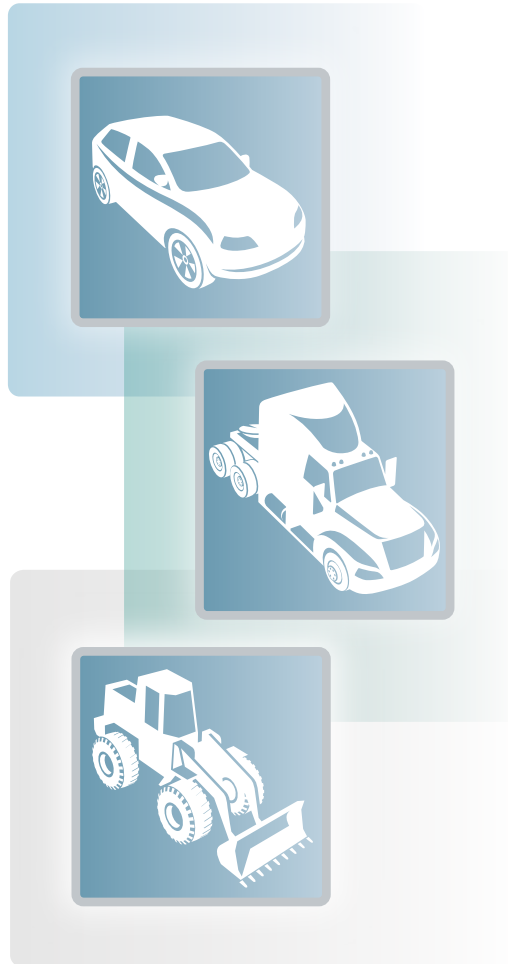
Thermal Products

Transmission Oil Coolers
Engine Oil Coolers

VICTOR REINZ®

Sealing Products

Gaskets and Seals
Cylinder-Head Cover Modules
Thermal-Acoustic Protective Shielding



Dana Aftermarket Group
PO Box 321
Toledo, Ohio 43697-0321

Warehouse Distributor: 1.800.621.8084
OE Dealers: 1.877.777.5360

www.spicerparts.com

SPICER®

