

SPICER®



AXIP-0057B-52020
May 2020

Illustrated Parts List

Supersedes AXIP-0057
Released April 2011

Commercial Vehicles

Spicer® Drive Axles Models Designed ON or AFTER December 21, 2016

D170, D170D, R170, R170D - Single Reduction - Tandem Axles
D190, D190D, R190, R190D - Single Reduction - Tandem Axles
S170, S170D, S190, S190D - Single Reduction - Tandem Axles
S170E, S190E, S190DE - High Entry - Single Axles
D590, D590D, R590, R590D, S590, S590D - Double Reduction Axles

IMPORTANT:

- DANA MADE CHANGES TO THE CARRIERS DESIGNED AFTER DEC. 21, 2016.
- ONLY MODELS MADE ON OR AFTER THIS DATE ARE SHOWN IN THIS IPL.
- FOR MODELS BEFORE DEC. 21, 2016, SEE AXIP-0057 AND AXIP-0057A.

SEARCH



LOCATE



ORDER



TRACK



SIMPLIFIED.



SpicerParts.com/Aftermarket

SPICER[®]



It's never been easier to do business with Dana.

You've spoken. We've listened. Easily access the genuine Spicer parts information you need to succeed. Search by part number, product type, product line, keywords, and year-make-model. Place and track your orders. It's all here to help streamline your operations and grow your business.

Experience the new one-stop solution from Spicer today!

©Dana Limited, 2017. All rights reserved. Dana Limited, Spicer[®] is a registered trademark of Dana Limited.

General Information..... 2

How to Use Illustrated Parts List..... 2

Model Identification 3

Model Information 4

Forward Axles - After December 21, 2016..... 5

Rear Axles - After December 21, 2016..... 9

Wheel Differential Lock Assembly..... 12

Axle Housing and Output Shaft Assembly..... 13

High Entry Axle Parts 15

Double Reduction Power Divider Parts 19

Gear & Pinion Kits 26

Bearing Kits 28

Bearing Spacers 29

Output Shaft and Axle Housings 30

Axle Housing Kit Summary and Fastener Kits 34

Axle Housing Cover Kits..... 35

Axle Housing Replacement Charts..... 37

Axle Shafts 40

Single Axle - Single Reduction Carriers 42

Single Axle - Double Reduction Carriers..... 47

Single Axle - High Entry Carriers 48

Tandem Drive Axle - Single Reduction Carriers..... 50

Tandem Drive Axle - Double Reduction Carriers..... 57

Yokes & Flanges 59

Spicer® Tool Kit 60

Quick Reference Service Parts List..... 61

How to Use Illustrated Parts List

ORDERING PARTS

- This parts book is organized in sections according to parts servicing requirements. Use the Contents or page headings and colored tabs to find information.
- Use this book to order parts for your Dana® Spicer® Axle.
- For convenience, part numbers have been included for all pieces of the carrier assembly. Some of these parts, such as the carrier and caps, are serviced only in kits or assemblies. Part numbers are for your reference only. Those parts not serviced separately are identified with NSS.

KITS AND ASSEMBLIES

- Kits and Assemblies contain groups of individual or assembled parts developed for optimal replacement or repair of a service problem.
- Kits and Assemblies are shown with applicable parts groupings in the parts listing.
- See the Appendix for detailed information concerning kits applicable to this model.

ABBREVIATIONS

- ABS - Anti-lock Brake System
- AR - As Required - Parts that vary in quantity with each axle. Example: shims
- Assy - Assembly
- Brg - Bearing
- Diff - Differential
- Hsg - Housing
- IASS - In Axle Speed Sensor
- Inv - Involute
- N/a - Not Applicable

- NSS - Not Serviced Separately - Items which can only be purchased in sets kit form or service assemblies. Example: brake shoes.
- RH/LH - Right Hand/Left Hand - Determined as viewed from behind the vehicle looking forward.
- RTV - Gasket Compound - Formed-in-place gasket sealer. It is recommended for use on all surfaces requiring a gasket.
- Str - Straight

ILLUSTRATIONS

- Illustrations show parts in assembly groups.
- Item numbers on illustrations correspond with parts listings on pages that accompany the drawings.
- Notes are included on illustrations where needed.

PARTS LISTINGS

- Parts listings are defined by parts groupings and are broken down by service assemblies.
- Parts Listings identify a part for servicing with the following categories:
 - Item - corresponds with numbers on illustrations for part identification
 - Part Name - specifies part name or description
 - Quantity (Qty) - quantity required for assembly
 - Current Part(s) - service part numbers are broken down by model type or other applicable information
 - Notes - define unique characteristics or replacement notes
 - Kits / Assy's Where Used - indicates Kits or Assemblies that contain a particular part
- Other pertinent information is listed in tables or parts listings as required.

Effectively Using a Parts Listing - Example

FOLLOW THE EXAMPLE BELOW TO LOCATE AND ORDER EXACTLY WHAT IS REQUIRED FOR SERVICING.

Match to items on illustration	Use to identify part	Order this quantity for servicing	Order part number by model indicated		Indicates information important to ordering or use
Item	Part Description	Qty	DS404	DD404	Notes
1	Axle Shaft	2	123456	789101	See Axle Shaft Chart
2	Flat Washer	4	246810	121416	

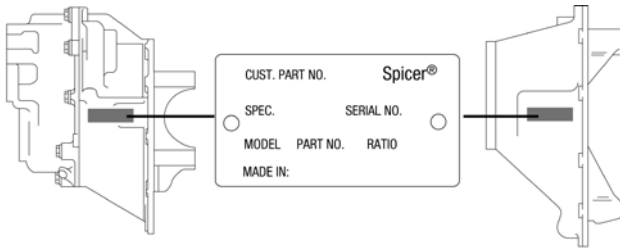
SUMMARY OF KITS AND ASSEMBLIES

Oil Seal & Shim Kit	216225	Includes 29-30,36
Basic Overhaul Kit	216221	Contents Identified with *

Model Identification

LOCATING MODEL DESIGNATION INFORMATION

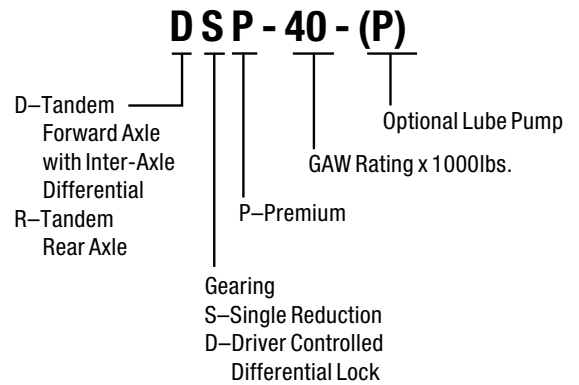
- Axle Model Identification, Part Number and Serial Number are located on a tag at the axle centerline. This information will help to locate information in this book and to identify the correct parts for servicing.



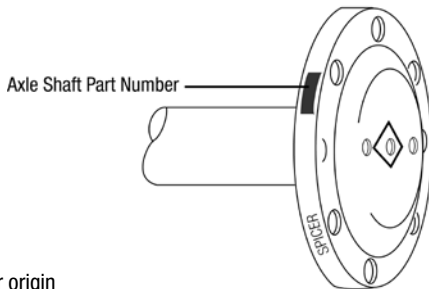
- Model Number, Part Number and Serial Number are located on the data plate on the axle centerline

USING MODEL DESIGNATION TO IDENTIFY AXLE COMPONENTS

The Axle Model Identification number contains information that is important to understand when purchasing service parts or new components. The Model Identification number provides important vehicle, capacity and application information and model features. Use this guideline to understand your Axle Model Identification. If you need assistance, contact your Dana representative.



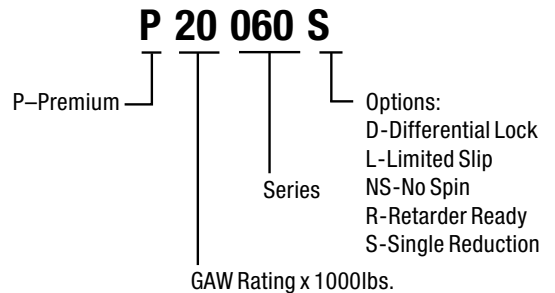
DRIVE AXLE ASSEMBLY TAG



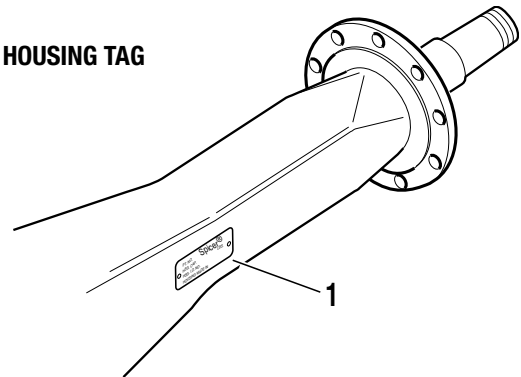
1. Country or origin
2. Axle model identification
3. Specification number assigned to the axle built by Spicer®. Identifies all component parts of the axle including special OEM requirements such as yokes or flanges
4. OEM part number assigned to the axle build
5. Carrier assembly serial number assigned by the manufacturing plant
6. Axle gear ratio
7. Carrier assembly production or service part number

When inquiring about specific information on your axle, write down all of the above information from your tag and call your local OEM dealer or your Dana representative.

NOTE: The axles illustrated in this book are specified with a variety of different axle shafts, according to OEM specifications. When ordering replacement axle shafts, note the part number stamped into the flange.



AXLE HOUSING TAG



Dana Axle Models - Models Made ON or AFTER December 21, 2016

The following base models are included in this publication:

SINGLE REDUCTION MODELS

Forward Axle	Rear Axle	Axle Capacity	Gear Size
D40-170	R40-170	40,000 lbs.	17.7" Hypoid Gear
D40-170P	R40-170	40,000 lbs.	17.7" Hypoid Gear
D40-170DP	R40-170	40,000 lbs.	17.7" Hypoid Gear
D46-170	R46-170	46,000 lbs.	17.7" Hypoid Gear
D46-170P	R46-170	46,000 lbs.	17.7" Hypoid Gear
D46-170DP	R46-170	46,000 lbs.	17.7" Hypoid Gear
D52-190P	R52-190	52,000 lbs.	18.5" Hypoid Gear
D52-190DP	R52-190	52,000 lbs.	18.5" Hypoid Gear
D60-190P	R60-190	60,000 lbs.	18.5" Hypoid Gear

DOUBLE REDUCTION MODELS

Forward Axle	Rear Axle	Axle Capacity	Gear Size
D46-590P	R46-590	46,000 lbs.	18.5" Hypoid Gear
D52-590P	R52-590	52,000 lbs.	18.5" Hypoid Gear
D60-590P	R60-590	60,000 lbs.	18.5" Hypoid Gear
D70-590P	R70-590	70,000 lbs.	18.5" Hypoid Gear

TRIDEM MODELS

Forward Axle	Forward Axle	Rear Axle	Axle Capacity	Gear Size
T69-170HP	T69-170HP	R69-170H	69,000 lbs.	17.7" Hypoid Gear
T78-190P	T78-190P	R78-190	78,000 lbs.	18.5" Hypoid Gear
T78-590P	T78-590P	R78-590	78,000 lbs.	18.5" Hypoid Gear

NOTE: Tridem model configuration consist of 3 axles; Two Forward Carriers and a Rear-Rear Carrier. Example would be: (D170>D170>R170) (D190>D190>R190) or (D590>D590>R590).

HIGH ENTRY SINGLE AXLE MODELS

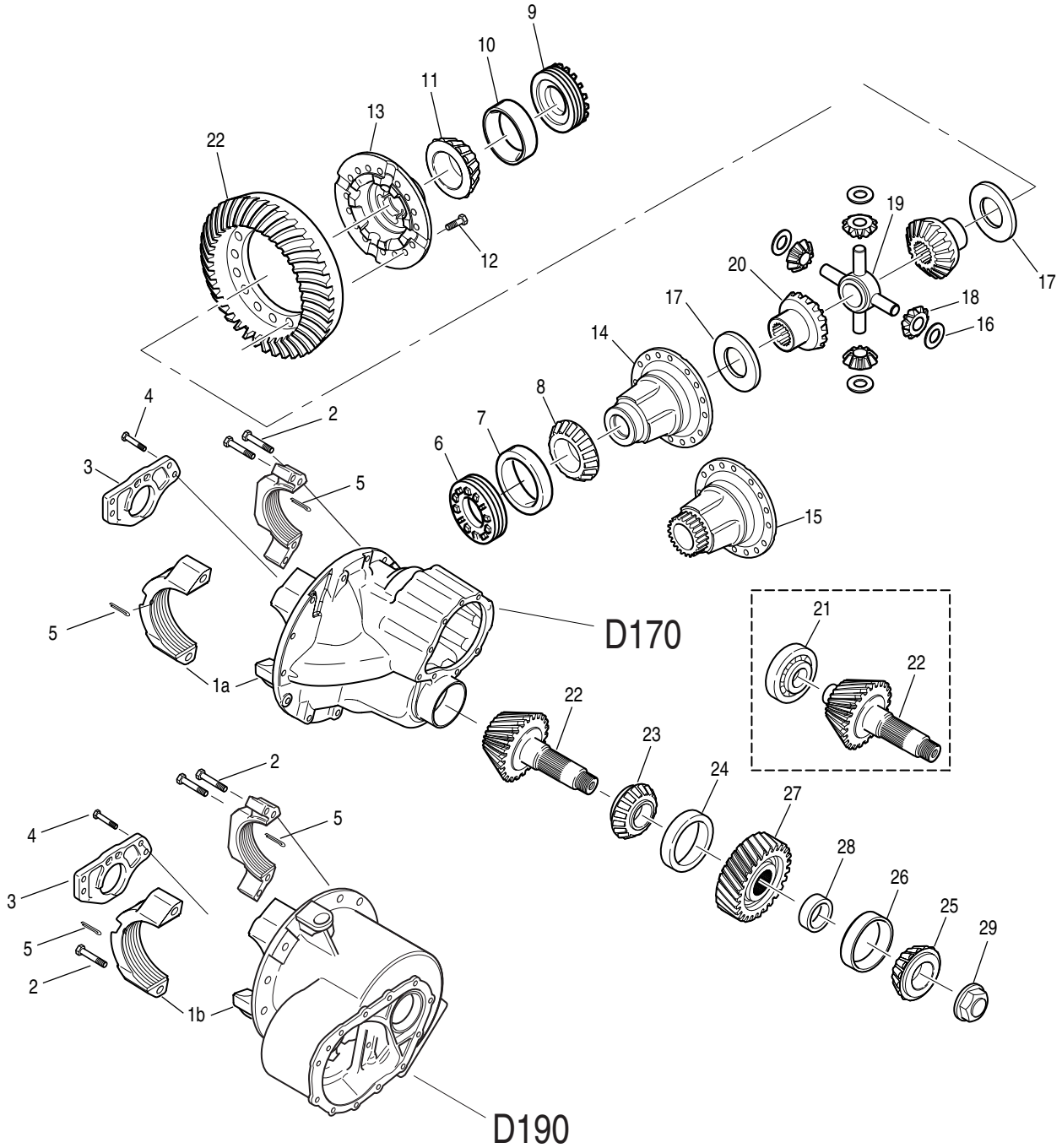
Single Axle	Axle Capacity	Gear Size
S21-170E	21,000 lbs.	17.7" Hypoid Gear
S23-170E	23,000 lbs.	17.7" Hypoid Gear
S25-170E	25,000 lbs.	17.7" Hypoid Gear
S23-190E	23,000 lbs.	18.5" Hypoid Gear
S26-190E	26,000 lbs.	18.5" Hypoid Gear
S30-190E	30,000 lbs.	18.5" Hypoid Gear

NOTE: The suffix letter "P" in the model number indicates lube pump. The pump is designed to provide additional lubrication to the inter-axle differential and related parts. The "190" and "590" models come standard with pumps and the suffix letter "P" may not be referenced in all model callouts.

D170 / D190 Forward Axle Parts Exploded View

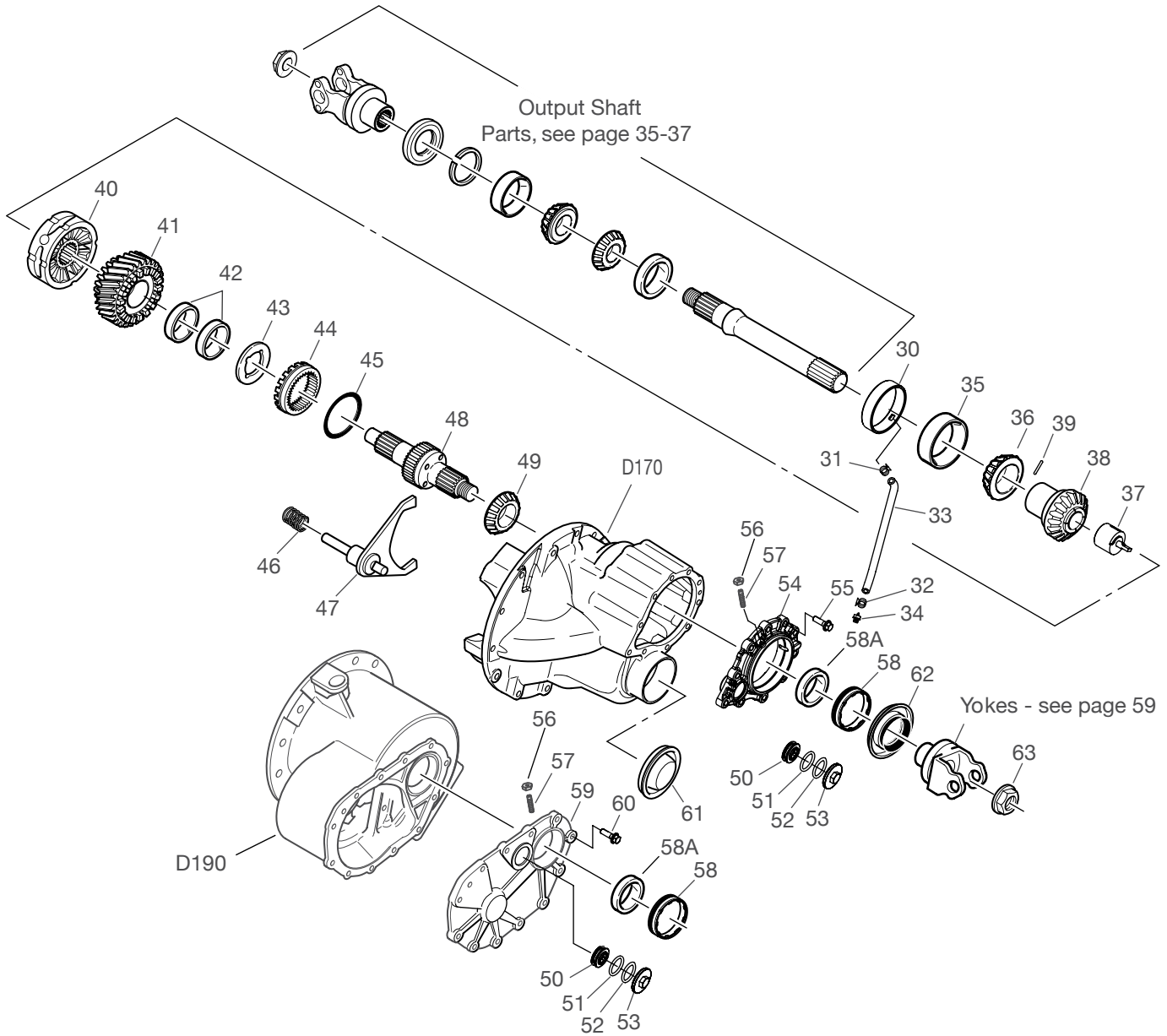


MODELS MADE ON OR AFTER DECEMBER 21, 2016



**D170 / D190 Forward Axle Power Divider
 Parts Exploded View**

MODELS MADE ON OR AFTER DECEMBER 21, 2016



**D170 / D190 Forward Axle - Parts List Models
Made ON or AFTER Dec. 21, 2016**

Item	Description	Qty	D170 D170D	D190 D190D	Notes
BEARING KIT			504380	504382	ref. HAXL-PNI-084
Contents identified with *			504381	-----	D170D Diff Lock Models Only
1a	Carrier Sub-Assy	1	10035420	-----	D170 models ref. HAXL-PNI-084
1a	Carrier Sub-Assy	1	10035421	-----	D170D Diff Lock models - refer Pg 10 ref. HAXL-PNI-084
1b	Carrier Sub-Assy	1	-----	10035422	All D190, D190D models - refer Pg 10 ref. HAXL-PNI-084
2	Capscrew - Bearing Cap	6	131016	131016	
3	Pilot Bearing Web Support	1	N/A	N/A	Not a serviceable part - order item 1
4	Capscrew - Pilot Bearing Web	4	N/A	131017	
5	Cotter Pin	2	090311	090311	
6	Bearing Adjuster - Plain Half	1	139993	139993	
7	Bearing Cup - Plain Half Diff	1	140012-1*	140020-1*	Standard model ref. HAXL-PNI-084
		1	140020-1*	140012-1*	Diff Lock model ref. HAXL-PNI-084
8	Bearing Cone - Plain Half Diff	1	140014*	140019*	
		1	140019*	140019*	
9	Bearing Adjuster - Flange Half	1	139992	139992	
10	Bearing Cup - Diff Flange Half	1	140012-1*	140012-1*	ref. HAXL-PNI-084
11	Bearing Cone - Diff Flange Half	1	140014*	140014*	
KIT - RING GEAR BOLT			504069	504069	Includes qty 16 of 131473
12	Bolt - Ring Gear	16	131473	131473	
13	Diff Case - Flange Half	1	See Diff Case Kits Pg 30-33		All models
14	Diff Case - Plain Half	1	See Diff Case Kits Pg 30-33		Standard models
15	Diff Case - Plain Half - Diff Lock	1	See Diff Case Kits Pg 30-33		Diff Lock models
KIT - WHEEL DIFF SIDE GEAR w/WASHERS			504096	504096	Includes items 16-20
16	Thrust Washer - Side Pinion	4	300HS100-1	300HS100-1	
17	Thrust Washer - Side Gear	2	HS108-1	HS108-1	
18	Side Pinion	4	131040	131040	
19	Spider - Differential	1	131039	131039	
20	Side Gear - Differential	2	300GD101	300GD101	46 Involute
NO SPIN ASSEMBLY - 46 Inv			131882	-----	Item not illustrated
21	Bearing - Pinion Pilot	1	-----	129947*	
22	Ring Gear and Pinion - NSS		See Ring & Pinion Kits Page 26-27		
23	Bearing Cone - Inner Pinion	1	139968*	139968*	
24	Bearing Cup - Inner Pinion	1	139969*	139969*	
25	Bearing Cone - Outer Pinion	1	139971*	139971*	
26	Bearing Cup - Outer Pinion	1	139972*	139972*	
27	Helical Gear - Pinion	1	10010716	10010716	
28	KIT - PINION BRG SPACER	A/R	504041	504041	Individual pinion spacers listed on Pg 29
KIT - PINION NUT			131095K	131095K	Kit includes 29 & 64
29	Locknut - Pinion	1	131095	131095	Socket size 69mm
MANIFOLD PARTS KIT			513880	-----	Includes item 30a
30a	Manifold Assembly - Non Pump	1	132435-NSS	-----	Used in Non-Pump models only
30b	Manifold Assembly - Pump Models	1	131366-NSS	131366-NSS	Used in all Pump models
31	Clamp	1	129338	129338	
32	Collar Lock	1	134010	134010	
33	Hose	1	131524	131524	
34	Screen Filter Assembly	1	133964	133964	
35	Bearing Cup - Output Side Gear	1	139976*	139976*	
36	Bearing Cone - Output Side Gear	1	139975*	139975*	
KIT - OUTPUT GEAR & LUBE PUMP			504364-1	504364-1	Includes items 37, 39 ref. HAXL-PNI-098
37	Pump - Lube - NSS	1	131368-NSS	131368-NSS	Order Lube Pump Kit 504364-1 ref. HAXL-PNI-098
38a	Output Side Gear - Pump Models	1	10005175	10005175	ref. HAXL-PNI-096R2
38b	Output Side Gear - Non Pump	1	10026795	-----	
39	Pin	1	131541	131541	
40	INTER-AXLE DIFFERENTIAL	1	10094015	10094013	ref. HAXL-PNI-096R2
41	Helical Side Gear & Bushing Assy.	1	10011380	10011380	ref. HAXL-PNI-096R2

**D170 / D190 Forward Axle - Parts List Models
 Made ON or AFTER Dec. 21, 2016**

Item	Description	Qty	D170 D170D	D190 D190D	Notes
42	Bushing - Helical Gear	2	131344	131344	
43	Thrust Washer	1	132440	132440	
44	Sliding Clutch	1	10049229	10049229	
45	V-Ring	1	131333*	131333*	
KIT - SHIFT FORK & SPRING		1	510870	514142	Includes items 46-47
46	Compression Spring	1	129859	129859	
47	Shift Fork Assembly - NSS	1	129856-NSS	131330-NSS	Order kit listed above
KIT - INPUT SHAFT - NON-PUMP		1	513839	-----	Includes items 48a, 63-64
KIT - INPUT SHAFT - PUMP		1	513840	513840	Includes items 48b, 63-64
48a	Input Shaft - NSS - NON-PUMP	1	131348-NSS	-----	Order kit listed above
48b	Input Shaft - NSS - PUMP	1	131349-NSS	131349-NSS	Order kit listed above
49	Bearing Cone - Input Shaft	1	139973*	139973*	
KIT - AIR LOCKOUT REPAIR		1	512892	512892	Includes items 50-53
KIT - AIR LOCKOUT (Complete w/Shift Fork)		1	512893	N/A	Includes items 46-47, 50-53
50	Piston	1	131232	131232	
51	O-Ring - Piston	1	210180	210180	
52	O-Ring Cover	1	131665	131665	Production#131665, alternate service# is 220HH102
53	Piston Cover	1	131096	131096	
KIT - INPUT COVER - D170		1	504189	504189	Includes items 49, 54-58A ref. HAXL-PNI-086
54	Input Cover - 131221-NSS	1	131686	-----	Order 504189 kit
55	Capscrew - Input Cover	10	131374	-----	
56	Nut - Adjuster Stud	1	131693	131693	M12 thread
57	Stud - Adjuster	1	131692	131692	M12 thread
58	Input Adjuster & Cup Assy.	1	10049231	10049231	
58A	Bearing Cup - Input Adjuster	1	139974*	139974*	Part of item# 58
KIT - INPUT COVER - D190		1	-----	504188	Includes items 49, 56-58A, 59-60 ref. HAXL-PNI-086
59	Input Cover - 131328-NSS	1	-----	131687	Order 504188 kit
60	Capscrew - Input Cover	12	-----	131374	
61	Plug - Carrier	1	10039186	-----	
KIT - INPUT SEAL & LOCKNUT		1	131008K	131008K	Includes items 62-64
62	Input Seal	1	10032666	10032666	Sold in 131008K kit also
KIT - PINION NUT		1	131095K	131095K	Includes item 61-62
63	Input Locknut	1	131095	131095	Socket size 69mm
64	Loctite Adhesive .5ml tube	1	129293	129293	Item not illustrated
65	RTV Sealant - 3oz	1	107276S*	107276S*	Item not illustrated

SERVICE DIFF CARRIER SUB-ASSEMBLY

Item	Model	Part No.	Notes
1a	D170	10035420	Includes items 1-4
1a	D170D	10035421	Includes items 1-4
1b	D190, D190D	10035422	Includes items 1-4

CARRIER SUB-ASSEMBLY IDENTIFICATION INFORMATION:

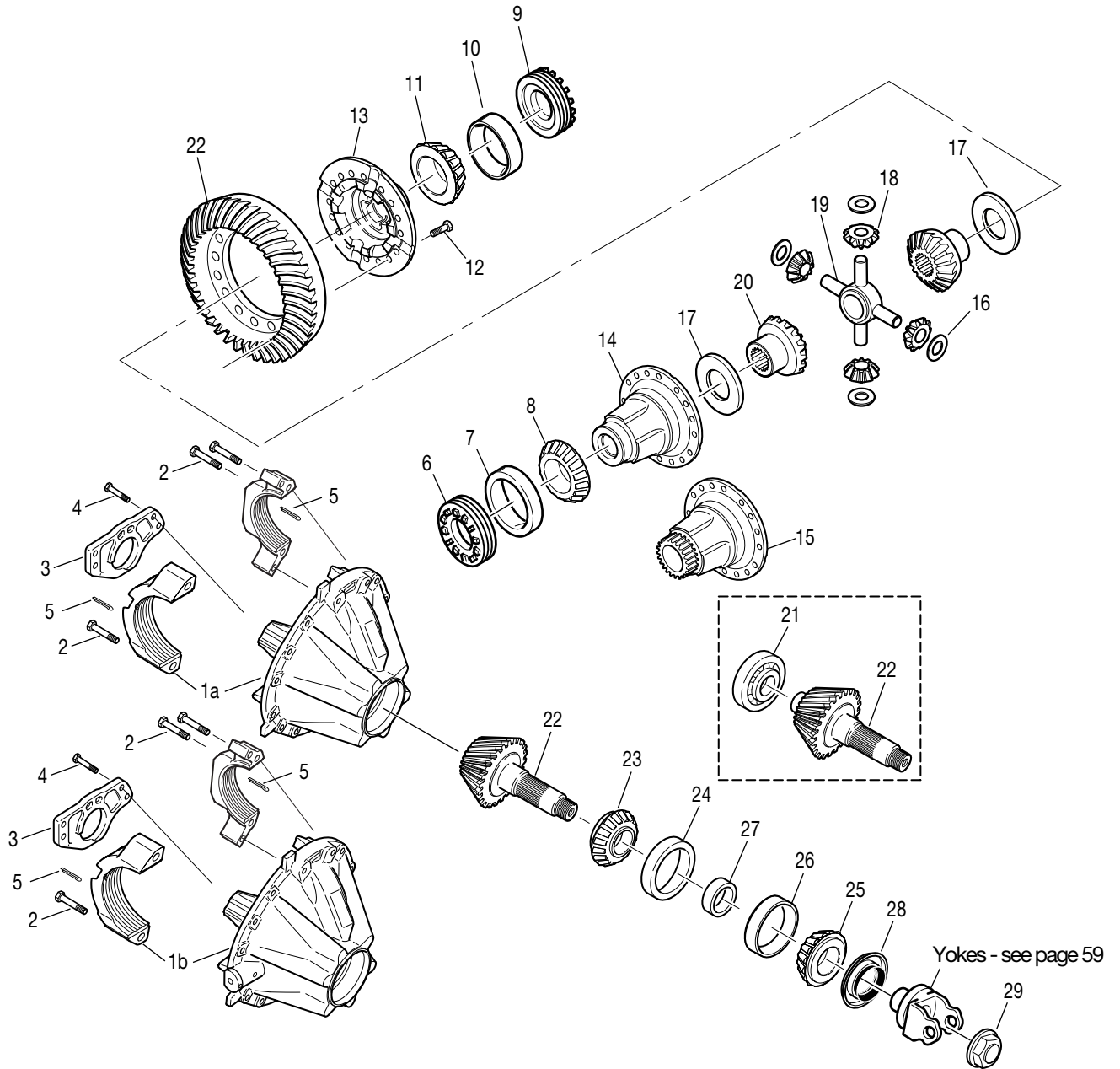
Part No.	Casting #	Notes
10035420	131222	No Pilot Web (D170) ref. HAXL-PNI-084
10035421	131218	No Pilot Web (D170D) ref. HAXL-PNI-084
10035422	131322	Built w/Pilot Web (D190, D190D) ref. HAXL-PNI-084

NOTE: The D170 & D170D models are the over-hung design (no pilot web).

R170 / R190, S170 / S190 Rear Axle Parts Explode



MODELS MADE ON OR AFTER DECEMBER 21, 2016



R170 / R190, S170 / S190 - Rear Axle Parts List
Models Made ON or AFTER Dec. 21, 2016

Item	Description	Qty	S170, S170D S170R, R170, R170D	S190, S190D S190R, R190, R190D	Notes
BEARING KIT Contents identified with *		1	-----	504385	S190 Series - ratios 2.53-4.78
		1	504387	-----	S190 Series - ratios 5.25-7.83 ref. HAXL-PNI-084
		1	504383	-----	S170 Series - ratios 2.69-3.91 ref. HAXL-PNI-084
		1	504384	-----	S170 Series - ratios 4.10-7.17 ref. HAXL-PNI-084
		1	504385	-----	S170D - Diff Lock Series - ratios 2.69-3.91 ref. HAXL-PNI-084
		1	504386	-----	S170D - Diff Lock Series - ratios 4.10-7.17 ref. HAXL-PNI-084
1a	Carrier Sub-Assy	1	See Chart Pg 25		Standard model - Note 1
1b	Carrier Sub-Assy	1	See Chart Pg 25		Diff Lock model - Note 1
2	Capscrew - Bearing Cap	6	131016	131016	
3	Pilot Bearing Web Support	1	NSS-Note 1	NSS-Note 1	
4	Capscrew - Pilot Bearing Web	4	131017	131017	
5	Cotter Pin	2	090311	090311	
6	Bearing Adjuster - Plain Half	1	139993	139993	
7	Bearing Cup - Plain Half Diff	1	140012-1*	140020-1*	Standard model ref. HAXL-PNI-084
		1	140020-1*	140012-1*	Diff Lock model ref. HAXL-PNI-084
8	Bearing Cone - Plain Half Diff	1	140014*	140019*	Standard model
		1	140019*	140019*	Diff Lock model
9	Bearing Adjuster - Flange Half	1	139992	139992	
10	Bearing Cup - Diff Flange Half	1	140012-1*	140012-1*	All Models ref. HAXL-PNI-084
11	Bearing Cone - Diff Flange Half	1	140014*	140014*	All Models
KIT - RING GEAR BOLT		1	504069	504069	Includes qty 16 of 131473
12	Bolt - Ring Gear	16	131473	131473	
13	Diff Case - Flange Half	1	See Diff Case	Kits Pg 30-33	All models
14	Diff Case - Plain Half	1	See Diff Case	Kits Pg 30-33	Standard models
15	Diff Case - Plain Half - Diff Lock	1	See Diff Case	Kits Pg 30-33	Diff Lock models
KIT - WHEEL DIFF SIDE GEAR w/WASHERS			504096	504096	Includes items 16-20
16	Thrust Washer - Side Pinion	4	300HS100-1	300HS100-1	
17	Thrust Washer - Side Gear	2	HS108-1	HS108-1	Includes items 15-19
18	Side Pinion	4	131040	131040	
19	Spider - Differential	1	131039	131039	131039
20	Side Gear - Differential	2	300GD101	300GD101	46 Involute
NO SPIN ASSEMBLY - 46 Inv		1	131882	-----	Item not illustrated
21	Bearing - Pinion Pilot	Ratios 2.69-3.91	1	129947*	-----
		Ratios 2.53-4.78	1	-----	129947*
		Ratios 5.25-7.83	1	-----	129987*
22	Ring Gear and Pinion - NSS		See Ring & Pinion Kits Page 26-27		
23	Bearing Cone - Inner Pinion	1	139968*	139968*	
24	Bearing Cup - Inner Pinion	1	139969*	139969*	
25	Bearing Cone - Outer Pinion	1	139970*	139970*	
26	Bearing Cup - Outer Pinion	1	139969*	139969*	
27	KIT - PINION BRG SPACER	A/R	504042	504042	Individual pinion spacers listed on Pg 29
KIT - INPUT SEAL & LOCKNUT		1	131008K	131008K	Includes items 28-29, 30
28	Input Seal	1	10032666	10032666	Also sold in 131008K kit
KIT - PINION NUT		1	131095K	131095K	Includes item 29-30
29	Locknut - Pinion	1	131095*	131095*	Socket size 69mm
30	Loctite Adhesive .5ml tube	1	129293*	129293*	Item not illustrated
31	RTV Sealant - 3oz	1	107276S*	107276S*	Item not illustrated

SERVICE DIFF CARRIER SUB-ASSEMBLY

Item	Model	Part No.	Notes
1a	R170, S170 (has pilot web)	10035415	Includes items 1-4 ref. HAXL-PNI-084
1b	R190, R190D, S190, S190D	10035419	Includes items 1-4 ref. HAXL-PNI-084
1a	S170R (retarder ready)	10035423	Includes items 1-4 ref. HAXL-PNI-084
1b	S190R, S190DR (retarder ready)	10035424	Includes items 1-4 ref. HAXL-PNI-084
	R170D, S170D	10035416	

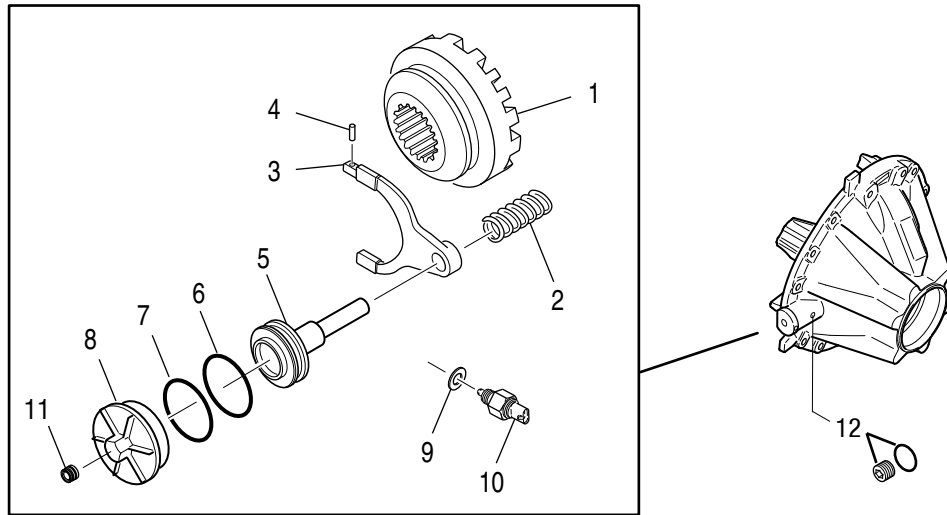
CARRIER SUB-ASSEMBLY IDENTIFICATION INFORMATION:

Part No.	Casting #	Notes	
132478-nss	131228	No Pilot Web	order 10035415 ref. HAXL-PNI-084
132479-nss	131020	No Pilot Web	order 10035416 ref. HAXL-PNI-084
132480	131228	Built w/Pilot Web	order 10035415 ref. HAXL-PNI-084
132481	131020	Built w/Pilot Web	order 10035416
132482	131024	Built w/Pilot Web	order 10035419
132486	131020	Built w/Pilot Web	order 10035423
132487	131024	Built w/Pilot Web	order 10035424

NOTE: Some S170, R170 production models utilize the Pilot Web, while others are the over-hung design (no pilot web). All service replacement Carrier Sub-Assemblies are only offered with the pilot webs. Service uses Pilot web design carrier sub-assemblies to replace non pilot web designs.

1a = Non Diff-Lock Design 1b = Diff Lock Design

Differential Lock Shift Parts - All Models Made ON or AFTER Dec. 21, 2016



WHEEL DIFFERENTIAL LOCK ASSEMBLY

Item	Description	Qty	All Diff-Lock Models	Notes
Kit - Diff Lock Parts Conversion-190 Series (note 1)			504097	Includes items 1-10
Kit - Diff Lock Cylinder Repair			512895	Includes items 2, 5-8
1	Sliding Clutch	1	140024	
2	Spring-Compression	1	131102	Order kit listed above
Kit - Shift Fork & Pin			504095	Includes items 3-4
3	Shift Fork-NSS	1	140008-nss	
4	Pin	1	210020	
5	Piston & Rod Assembly	1	134482	Will replace 131237 - note 2
6	O-Ring - Piston	1	210180	
7	O-Ring - Cap Cover	1	131665	Will replace 220HH102 - note 3
8	Piston Cover (Diff Lock Cap)	1	131096	
9	Washer	1	129034	
10	Switch	1	129035	
11	Plug - Carrier	1	127195	Use for Non Diff Lock Mdls
12	O-Ring & Plug Assy	1	131487	Use for Non Diff Lock Mdls

Note 1: The "170" Series carriers cannot be converted to Diff Lock. You must have the unique base carrier sub-assy that has the Diff Lock shift cylinder. You would need to purchase a replacement carrier. All "190" Series have the shift cylinder as part of the standard design.

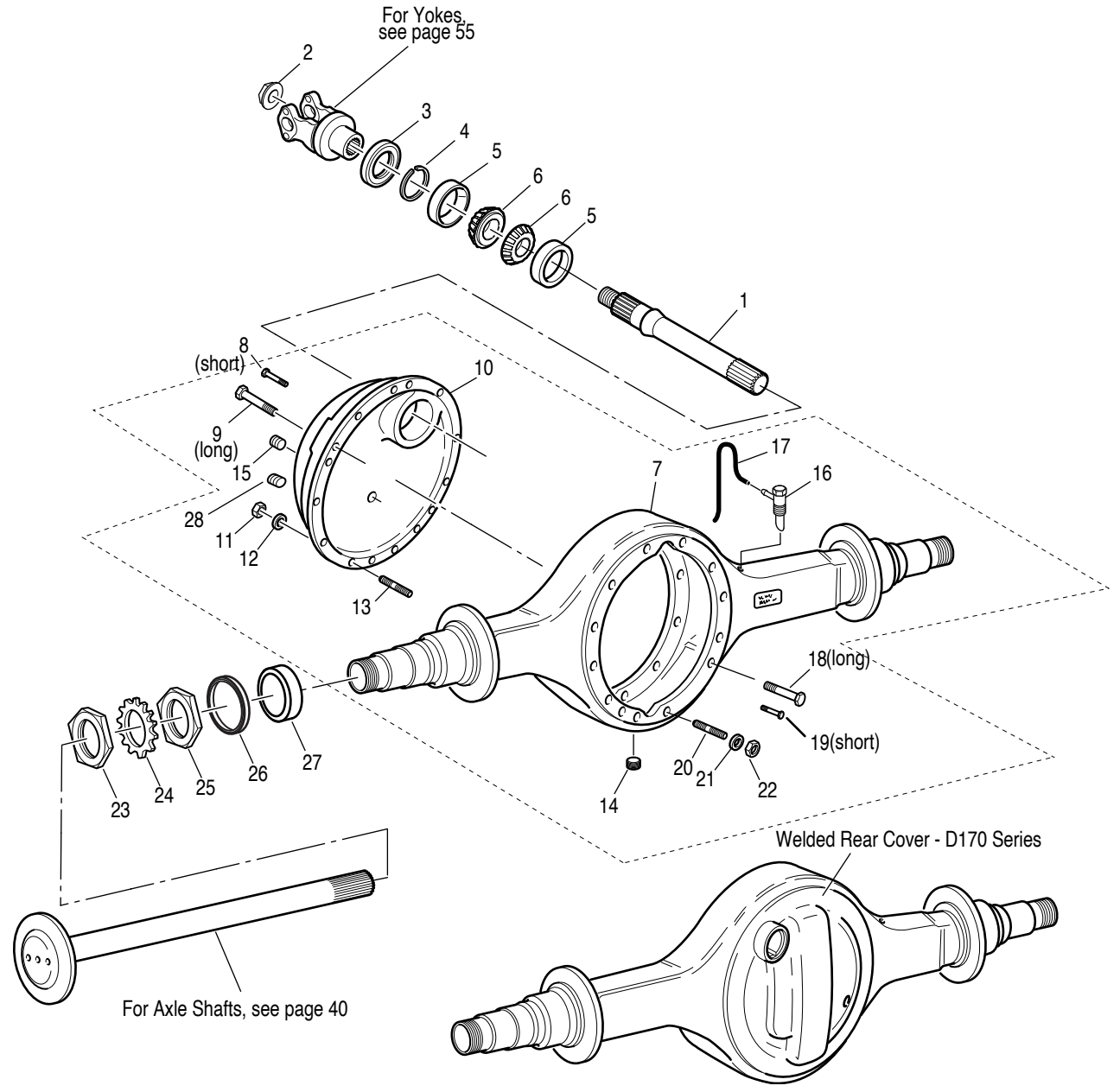
Note 2: The 134482 and 131237 are completely interchangeable parts. Dana service will continue to use up the 131237 in kits until further notice.

Note 3: The 220HH102 is replaced by 131665. Parts are completely interchangeable and Dana service will continue to use up the 220HH102 in kits until further notice.

Axle Housing and Output Shaft Assembly Exploded View



MODELS MADE ON OR AFTER DECEMBER 21, 2016



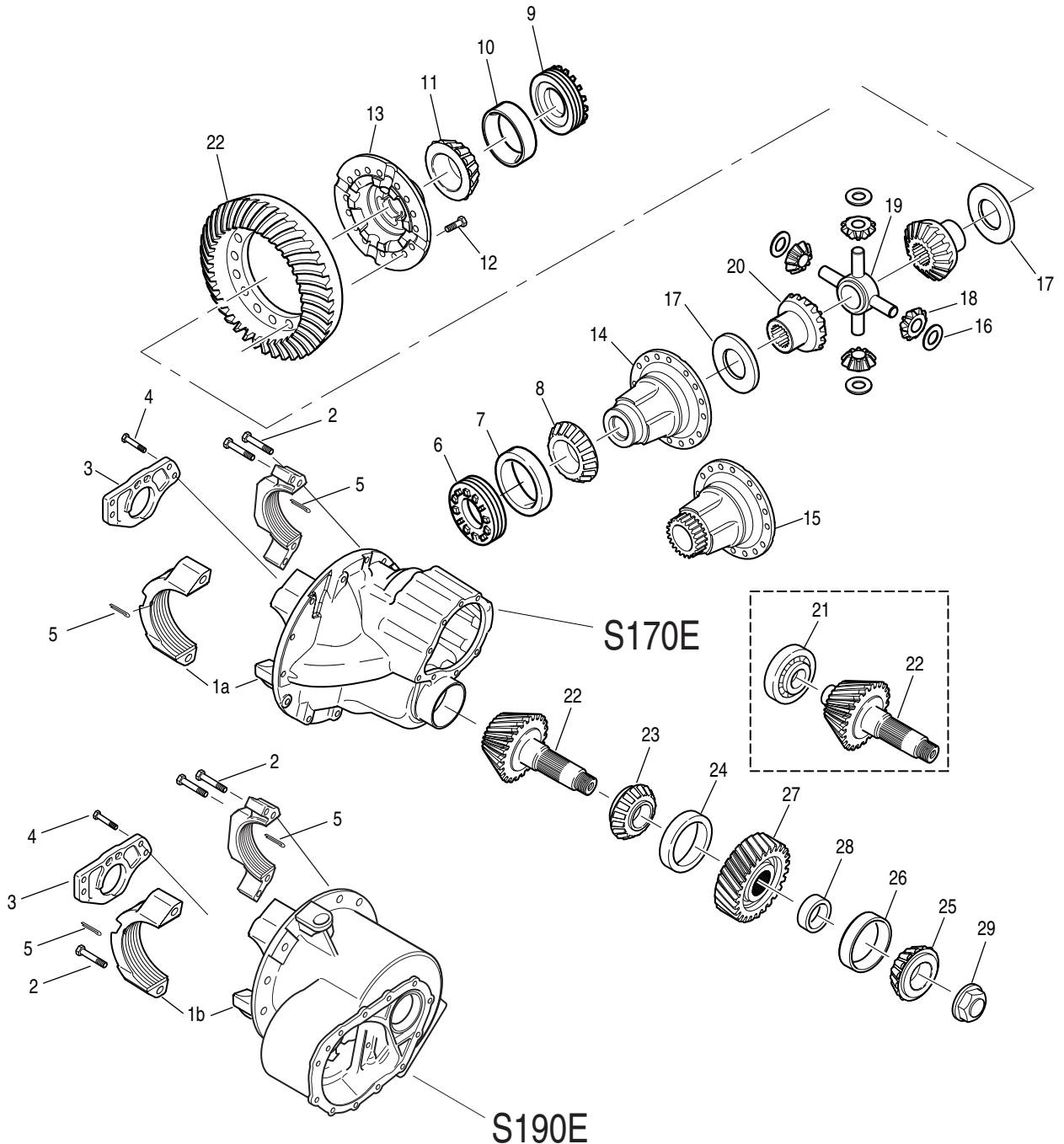
**Housing and Output Shaft Assembly
 Models Made ON or AFTER Dec. 21, 2016**

Item	Description	Qty	All Diff-Lock Models	Notes
Kit - OUTPUT SHAFT		1	512894	Includes items 1-2
1	Output Shaft -NSS	1	131536-nss	Order Kit 512894
2	Output Shaft Nut	1	128049	
3	Output Seal	1	210737	
Kit - OUTPUT SHAFT BEARING		1	504060	Includes items 4-6
4	Snap Ring	1	134322	.109" x 4.22"
5	Bearing Cup	2	139978	
6	Bearing Cone	2	139977	
7	Axle Housing - Forward	1	See Axle Hsg Listing pg 36-39 - Refer to assy bill of material	
7	Axle Housing - Rear-Rear	1	See Axle Hsg Listing pg 36-39 - Refer to assy bill of material	
8	Rear Cover Capscrew - Short	4	131105	55 mm - D190 only (see kit chart pg 34)
9	Rear Cover Capscrew - Long	8	131375	70 mm - D190 only (see kit chart pg 34)
10a	KIT-D190 HOUSING COVER	1	504061	Cover # 302576-NSS - 12 hole (see chart pg-35)
10b	KIT-S190 HOUSING COVER	1	514322	Cover # 302704-NSS - 14 hole (see chart pg-35)
10c	KIT-S590 HOUSING COVER	1	504025	Cover # 302622-NSS - 12 hole (see chart pg-35)
11	Rear Cover Nut	2	127567	D190 only
12	Washer - Rear Cover	2	130877	D190 only
13	Stud - Double Ended	2	132927	D190 only - 80mm length
14	Drain Plug	1	054254	3/4" magnetic
15	Fill Plug	1	129492	3/4" magnetic - All Models
Kit - U-TUBE BREATHER			507162	Includes items 16-17
16	Breather Assy-NSS	1	302706	Order kit 507162
17	Breather Hose & Clamp-NSS	1	129340	Order kit 507162
18	Carrier Capscrew - Long	A/R	131106	Carrier to housing (see kit chart pg 34) - 85mm
19	Carrier Capscrew - Short	A/R	131105	Carrier to housing (see kit chart pg 34) - 55mm
20	Stud - double ended	2	132927	Carrier to housing - 80mm length
21	Washer	2	130877	Carrier to housing
22	Nut	2	127567	Carrier to housing
23	Spindle Nut - Outer	2	119881	
24	Locking Ring	2	119883	
25	Spindle Nut - Inner	2	119882	
26	Oil Seal	1	304446	190 & 590 models only
27	Spindle Sleeve	1	304447	190 & 590 models only
28	Temperature Sensor Plug	1	90898	1/2" magnetic - All Models
29	Loctite Adhesive .5ml tube	1	129293	Item not illustrated
30	RTV Sealant - 3oz	1	107276S	Item not illustrated

S170E / S190E / S190DE High Entry Axle Parts Explode

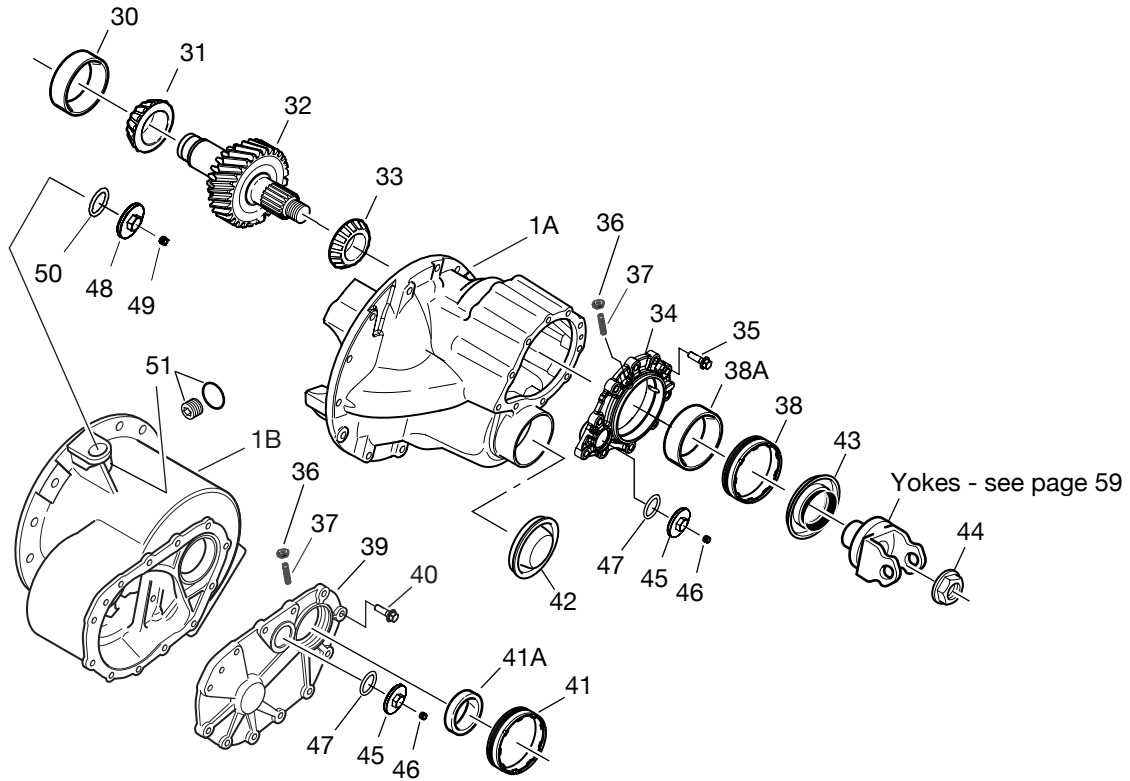


MODELS MADE ON OR AFTER DECEMBER 21, 2016



Parts for
Diff Lock Assembly
See page 12

MODELS MADE ON OR AFTER DECEMBER 21, 2016



S170E / S190E / S190DE High Entry Axle Parts List



S170E / S190E / S190DE High Entry Axle Assembly Models Made ON or AFTER Dec. 21, 2016

Item	Description	Qty	S170E	S190E	S190DE	Notes
BEARING KIT			504380	504381	504381	Contents identified with * ref. HAXL-PN1-084
1a	Carrier Sub-Assy	1	10035420	-----	-----	Includes items 1a & 2 See Chart Pg 22
1b	Carrier Sub-Assy	1	-----	10035422	10035422	Includes items 1b-4 See Chart Pg 22
2	Capscrew - Bearing Cap	6	131016	131016	131016	
3	Pilot Bearing Web Support	1	-----	N/A	N/A	Not a serviceable part - order item 1
4	Capscrew - Pilot Bearing Web	4	-----	131017	131017	
5	Cotter Pin	2	090311	090311	090311	
6	Bearing Adjuster - Plain Half	1	139993	139993	139993	
7	Bearing Cup - Plain Half Diff	1	140012-1*	140020-1*	140020-1*	Standard model ref. HAXL-PN1-084
		1	140020-1*	140020-1*	140020-1*	Diff Lock model ref. HAXL-PN1-084
8	Bearing Cone - Plain Half Diff	1	140014*	140019*	140019*	Standard model
		1	140019*	140019*	140019*	Diff Lock model
9	Bearing Adjuster - Flange Half	1	139992	139992	139992	
10	Bearing Cup - Diff Flange Half	1	140012-1*	140012-1*	140012-1*	ref. HAXL-PN1-084
11	Bearing Cone - Diff Flange Half	1	140014*	140014*	140014*	
KIT - RING GEAR BOLT			504069	504069	504069	Includes qty 16 of 131473
12	Bolt - Ring Gear	16	131473	131473	131473	
13	Diff Case - Flange Half	1	See Diff Case Kits Pg 30-33			All models
14	Diff Case - Plain Half	1	See Diff Case Kits Pg 30-33			Standard models
15	Diff Case - Plain Half - Diff Lock	1	See Diff Case Kits Pg 30-33			Diff Lock models
KIT - WHEEL DIFF SIDE GEAR w/WASHERS			504096	504096	504096	Includes items 6-20
16	Thrust Washer - Side Pinion	4	300HS100-1	300HS100-1	300HS100-1	
17	Thrust Washer - Side Gear	2	HS108-1	HS108-1	HS108-1	
18	Side Pinion	4	131040	131040	131040	
19	Spider - Differential	1	131039	131039	131039	
20	Side Gear - Differential	2	300GD101	300GD101	300GD101	46 Involute
21	Bearing - Pinion Pilot	1	-----	129947*	129947*	
22	Ring Gear and Pinion - NSS		See Ring & Pinion Kits Pg 26-27			
23	Bearing Cone - Inner Pinion	1	139968*	139968*	139968*	
24	Bearing Cup - Inner Pinion	1	139969*	139969*	139969*	
25	Bearing Cone - Outer Pinion	1	139971*	139971*	139971*	
26	Bearing Cup - Outer Pinion	1	139972*	139972*	139972*	
27	Pinion Helical Gear	1	10010716	10010716	10010716	
28 KIT - WHEEL DIFF SIDE GEAR w/WASHERS			A/R 504041	504041	504041	Individual pinion spacers listed on pg 29
KIT - PINION NUT			1 131095K	131095K	131095K	Kit includes 29 & 52
29	Locknut - Pinion	1	131095	131095	131095	Socket size 69mm
30	Bearing Cup - Output Side Gear	1	139976*	139976*	139976*	
31	Bearing Cone - Output Side Gear	1	139975*	139975*	139975*	
32 INPUT SHAFT & HELICAL - HIGH ENTRY			1 131340	131340	131340	1:1 ratio
33	Bearing Cone - Input Shaft	1	139973*	139973*	139973*	
KIT - INPUT COVER - S170E			1 504189	-----	-----	Includes items 33-38A
34	Input Cover - 131221-NSS	1	131686	-----	-----	Order 504067 kit
35	Capscrew - Input Cover	10	131374	-----	-----	
36	Nut - Adjuster Stud	1	131693	131693	131693	M12 thread
37	Stud - Adjuster	1	131692	131692	131692	M12 thread
38	Input Adjuster & Cup Assy.	1	10049231	10049231	10049231	ref. HAXL-PN1-086
38A	Bearing Cup - Input Adjuster	1	139974*	139974*	139974*	
KIT - INPUT COVER - S190E/S190DE			1 -----	504188	504188	Includes items 33, 36-37, 39-41A
39	Input Cover - 131328-NSS	1	-----	131687	131687	Order 504066 kit
40	Capscrew - Input Cover	12	-----	131374	131374	
41	Input Adjuster & Cup Assy.	1	10049231	10049231	10049231	ref. HAXL-PN1-086
41A	Bearing Cup - Input Adjuster	1	139974*	139974*	139974*	Part of item# 41
42	Plug - Carrier	1	131544	-----	-----	



S170E / S190E / S190DE High Entry Axle Parts List

S170E / S190E / S190DE High Entry Axle Assembly Models Made ON or AFTER Dec. 21, 2016

Item	Description	Qty	S170E	S190E	S190DE	Notes
KIT	INPUT SEAL & LOCKNUT	1	131008K	131008K	131008K	Includes items 43-44 & 52
43	Input Seal	1	10032666	10032666	10032666	
KIT	PINION NUT	1	131095K	131095K	131095K	Includes item 44 & 52
44	Input Locknut	1	131095	131095	131095	Socket size 69mm
45	Cap - Lockout Cylinder	1	131096	131096	131096	
46	Plug - Cap - Lockout Cylinder	1	127195	127195	127195	
47	O-Ring - Cap - Lockout Cylinder	1	131665	131665	131665	
48	Cap - Diff Lock Shift Cylinder	1	131096	131096	-----	For Non-diff lock mdl. For diff lock models see Pg 34
49	Plug - Cap - Diff Lock Shift Cylinder	1	127195	127195	-----	For Non-diff lock mdl. For diff lock models see Pg 34
50	O-Ring - Cap - Diff Lock Shift Cylinder	1	131665	131665	-----	For Non-diff lock mdl. For diff lock models see Pg 34
51	Plug & O-Ring - Diff Lock Switch Opening	1	131487	131487	-----	For Non-diff lock mdl. For diff lock models see Pg 34
52	Loctite Adhesive .5ml tube	1	129293	129293	129293	Item not illustrated
53	RTV Sealant - 3oz	1	107276S*	107276S*	107276S*	Item not illustrated

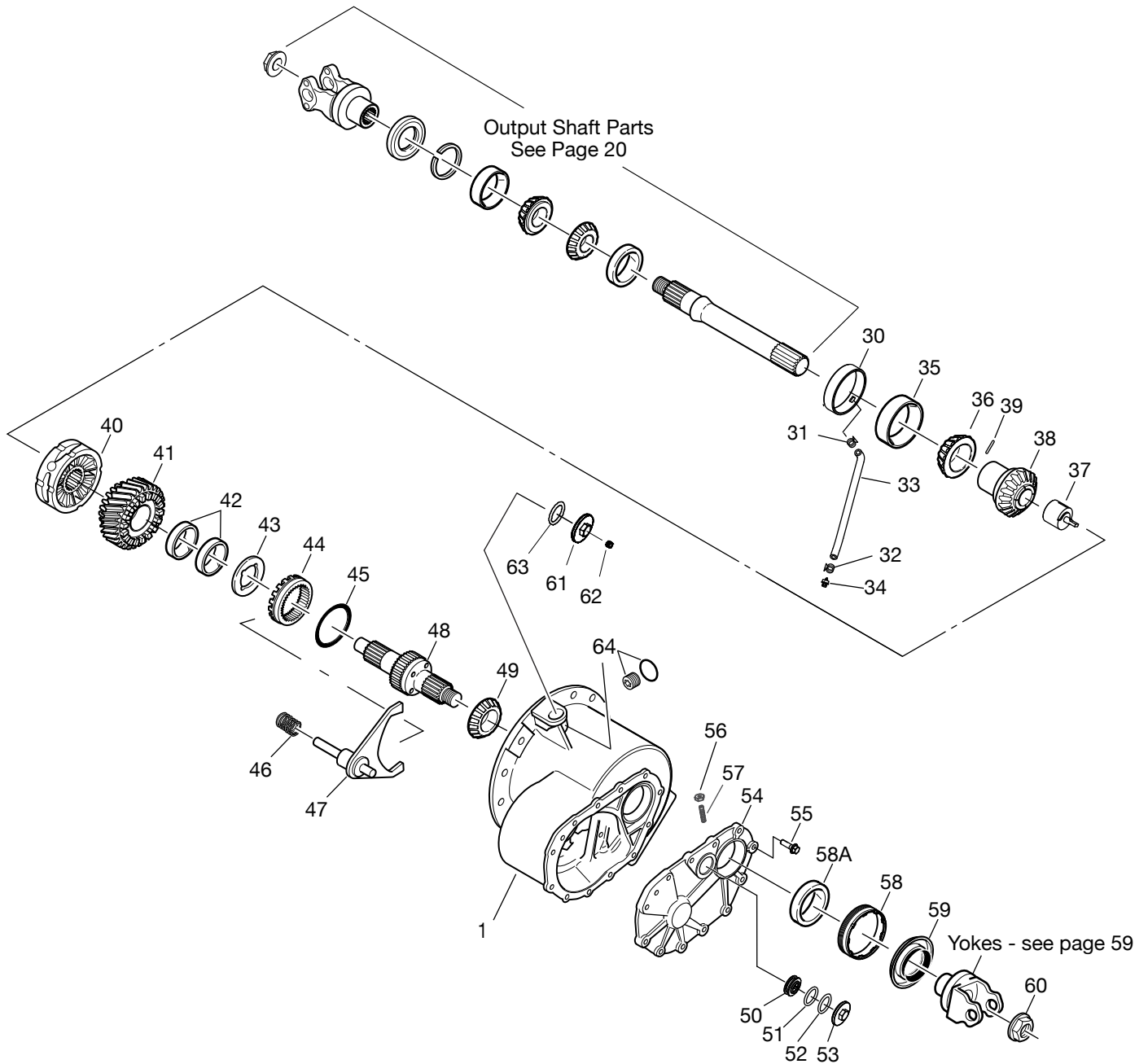
SERVICE DIFF CARRIER SUB-ASSEMBLY

Item	Model	Part No.	Notes
1a	S170E	10035420	Includes items 1-4 ref. HAXL-PN1-084
1b	S190E, S190DE	10035422	Includes items 1-4 ref. HAXL-PN1-084

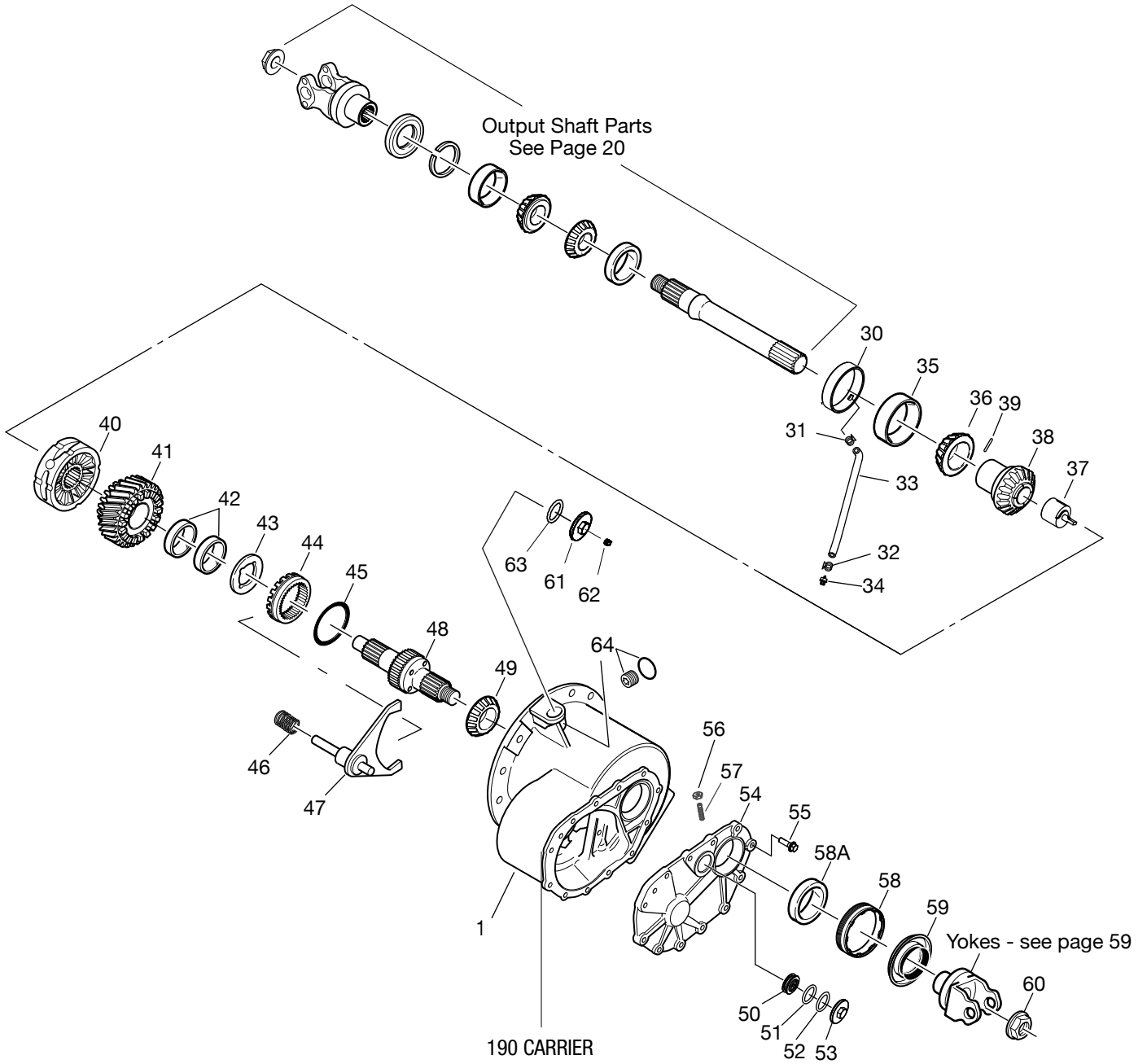
CARRIER SUB-ASSEMBLY IDENTIFICATION INFORMATION:

Part No.	Casting #	Notes
10035420	131222	No Pilot Web (S170E) ref. HAXL-PN1-084
10035422	131322	Built w/Pilot Web (S190E, S190DE) ref. HAXL-PN1-084

D590 / D590D Double Reduction Axle Parts Exploded View



**D590 / D590D Double Reduction Axle
 Parts Exploded View**



D590 / D590D Double Reduction Axle Parts List



D590 / D590D Double Reduction Axle - Parts List Models Made ON or AFTER Dec. 21, 2016

Item	Description	Qty	D590, D590D	Notes
BEARING KIT		1	504382	Contents identified with * ref. HAXL-PNI-084
1	Carrier Sub-Assy	1	10035422	Includes items 1-4 See chart Pg 14 ref. HAXL-PNI-084
2	Capscrew - Bearing Cap	6	131016	
3	Pilot Bearing Web Support	1	N/A	Not a serviceable part - order item 1
4	Capscrew - Pilot Bearing Web	4	131017	
5	Cotter Pin	2	090311	
6	Bearing Adjuster - Plain Half	1	139993	
7	Bearing Cup - Plain Half Diff	1	140020-1*	ref. HAXL-PNI-084
8	Bearing Cone - Plain Half Diff	1	140019*	
9	Bearing Adjuster - Flange Half	1	139992	
10	Bearing Cup - Diff Flange Half	1	140012-1*	ref. HAXL-PNI-084
11	Bearing Cone - Diff Flange Half	1	140014*	
Kit - RING GEAR BOLT		1	504069	Includes qty 16 of 131473
12	Bolt - Ring Gear	16	131473	
13	Diff Case - Flange Half	1	See Kits Pg 30-33	All models
14	Diff Case - Plain Half	1	See Kits Pg 30-33	Standard models
15	Diff Case - Plain Half - Diff Lock	1	See Kits Pg 30-33	Diff Lock models
Kit - WHEEL DIFF SIDE GEAR w/WASHERS		1	504096	Includes items 16-20
16	Thrust Washer - Side Pinion	4	300HS100-1	
17	Thrust Washer - Side Gear	2	HS108-1	
18	Side Pinion	4	131040	
19	Spider - Differential	1	131039	
20	Side Gear - Differential	2	300GD101	46 Involute
21	Bearing - Pinion Pilot	1	129947*	
22	Ring Gear and Pinion - NSS		See Ring & Pinion Kits Pg 26-27	
23	Bearing Cone - Inner Pinion	1	139968*	
24	Bearing Cup - Inner Pinion	1	139969*	
25	Bearing Cone - Outer Pinion	1	139971*	
26	Bearing Cup - Outer Pinion	1	139972*	
27	Pinion Helical Gear 1.39:1	1	131249	1.39:1 Reduction
28	KIT - PINION BRG SPACER	A/R	504041	Individual pinion spacers listed on Pg 29
Kit - PINION NUT			131095K	Includes items 29 & 65
29	Locknut - Pinion	1	131095	Socket size 69mm
MANIFOLD PARTS KIT - PUMP MODEL		1	513878	Includes items 30-34
30	Manifold Assembly - NSS	1	131366-NSS	Pump model
31	Clamp	1	129338	
32	Collar Lock	1	134010	
33	Hose	1	131524	
34	Screen Filter Assembly	1	133964	
35	Bearing Cup - Output Side Gear	1	139976*	
36	Bearing Cone	1	139975*	
Kit - LUBE PUMP		1	504364-1	Includes items 37-39 ref. HAXL-PNI-084
37	Pump - Lube - NSS	1	131368-NSS	Order Lube Pump Kit 504065
38	Output Side Gear	1	131466	Pump model
39	Pin	1	131541	

D590 / D590D Double Reduction Axle - Parts List Models Made ON or AFTER Dec. 21, 2016

Item	Description	Qty	D590, D590D	Notes
40	INTER-AXLE DIFFERENTIAL	1	10094013	ref. HAXL-PNI-096
41	Helical Side Gear & Bushing Assy. 1.39:1	1	10051032	Gear stamp id# 131341, includes item 42 ref. HAXL-PNI-096
42	Bushing - Helical Gear	2	131344	
43	Thrust Washer	1	132440*	
44	Sliding Clutch	1	10049229	ref. HAXL-PN1-086
45	V-ring	1	131333*	
Kit - SHIFT FORKS & SPRING		1	514142	Includes items 46-47
46	Compression Spring	1	129859	
47	Shift Fork Assembly - NSS	1	131330-NSS	Must order kit above
Kit - INPUT SHAFT - PUMP MDL		1	513840	Includes items 48, 60 & 65
48	Input Shaft - NSS - PUMP	1	131349-NSS	
49	Bearing Cone - Input Shaft	1	139973*	
Kit - AIR LOCKOUT REPAIR		1	512892	Includes items 50-53
50	Piston	1	131232	
51	O-Ring - Piston	1	210180	
52	O-Ring Cover	1	131665	Production#131665, alternate service# is 220HH102
53	Piston Cover	1	131096	
Kit - INPUT COVER		1	504188	Includes items 49, 54-58A ref. HAXL-PN1-086
54	Input Cover - 131328-NSS	1	131687	Order 504066 kit ref. HAXL-PN1-086
55	Capscrew - Input Cover	12	131374	
56	Nut - Adjuster Stud	1	131693	M12 thread
57	Stud - Adjuster	1	131692	M12 thread
58	Input Adjuster & Cup Assy.	1	10049231	ref. HAXL-PN1-086
58A	Brg Cup - Input Adjuster	1	139974*	Part of item# 58
KIT - INPUT SEAL & LOCKNUT		1	131008K	Includes items 59-60 & 65
59	Input Seal	1	10032666	Sold in 131008K kit also
KIT - PINION NUT		1	131095K	Includes item 60 & 65
60	Locknut - Input Shaft	1	131095	Socket size 69mm
61	Cover - Diff Lock Shift	1	131096	For Non-diff lock mdl. For diff lock models see Pg 34
62	Plug - Diff Lock Shift	1	127195	For Non-diff lock mdl. For diff lock models see Pg 34
63	O-Ring - Diff Lock Cover	1	131665	For Non-diff lock mdl. For diff lock models see Pg 34
64	Plug & O-Ring - Diff Lock Cylinder	1	131487	For Non-diff lock mdl. For diff lock models see Pg 34
65	Loctite Adhesive .5ml tube	1	129293	Not illustrated
66	RTV Sealant - 3oz	1	107276S*	Not illustrated

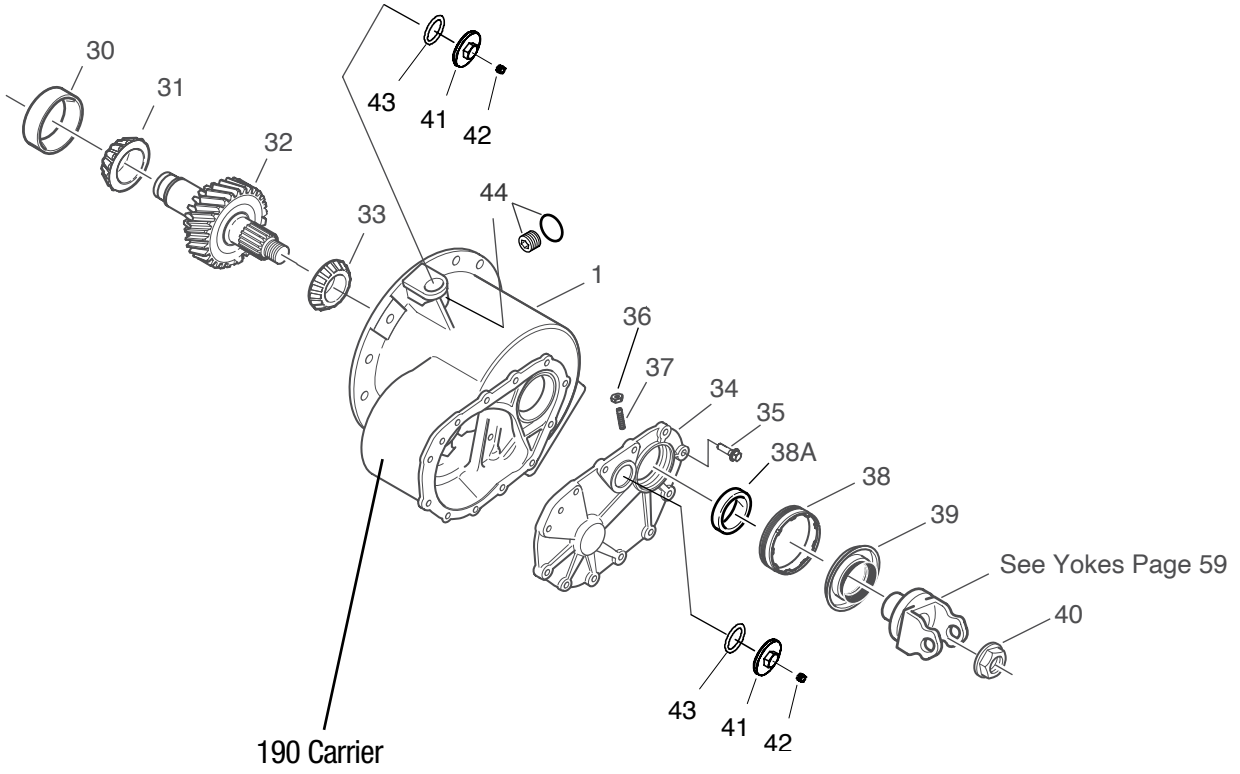
SERVICE DIFF CARRIER SUB-ASSEMBLY

Item	Model	Part No.	Notes
1	D590, D590D	10035422	Includes items 1-4 ref. HAXL-PNI-084

CARRIER SUB-ASSEMBLY IDENTIFICATION INFORMATION:

Part No.	Casting #	Notes
10035422	131222	Built w/Pilot Web (D590, D590D)

S590 / S590D / R590 / R590D Double
Reduction Power Divider Parts Exploded View



**Parts Exploded View S590 / S590D / R590 / R590D Double Reduction Axle
Parts List - Models Made ON or AFTER Dec. 21, 2016**

Item	Description	Qty	S590, S590D R590, R590D	Notes
BEARING KIT		1	504128	Contents identified with *
1	Carrier Sub-Assy	1	10035422	Includes items 1-4 See chart Pg 14 ref. HAXL-PNI-084
2	Capscrew - Bearing Cap	6	131016	
3	Pilot Bearing Web Support	1	N/A	Not a serviceable part - order item 1
4	Capscrew - Pilot Bearing Web	4	131017	
5	Cotter Pin	2	090311	
6	Bearing Adjuster - Plain Half	1	139993	
7	Bearing Cup - Plain Half Diff	1	140020-1*	ref. HAXL-PNI-084
8	Bearing Cone - Plain Half Diff	1	140019*	
9	Bearing Adjuster - Flange Half	1	139992	
10	Bearing Cup - Diff Flange Half	1	140012-1*	ref. HAXL-PNI-084
11	Bearing Cone - Diff Flange Half	1	140014*	
Kit - RING GEAR BOLT		1	504069	Includes qty 16 of 131473
12	Bolt - Ring Gear	16	131473	
13	Diff Case - Flange Half	1	See Kits Pg 30-33	All models
14	Diff Case - Plain Half	1	See Kits Pg 30-33	Standard models
15	Diff Case - Plain Half - Diff Lock	1	See Kits Pg 30-33	Diff Lock models
Kit - WHEEL DIFF SIDE GEAR w/WASHERS		1	504096	Includes items 16-20
16	Thrust Washer - Side Pinion	4	300HS100-1	
17	Thrust Washer - Side Gear	2	HS108-1	
18	Side Pinion	4	131040	
19	Spider - Differential	1	131039	
20	Side Gear - Differential	2	300GD101	46 Involute
21	Bearing - Pinion Pilot	1	129947*	
22	Ring Gear and Pinion - NSS	See Ring & Pinion Kits Pg 26-27		
23	Bearing Cone - Inner Pinion	1	139968*	
24	Bearing Cup - Inner Pinion	1	139969*	
25	Bearing Cone - Outer Pinion	1	139971*	
26	Bearing Cup - Outer Pinion	1	139972*	
27	Pinion Helical Gear 1.39:1	1	131249	1.39:1 Reduction
28	KIT - PINION BRG SPACER	A/R	504041	Individual pinion spacers listed on Pg 29
Kit - PINION NUT			131095K	Includes items 29 & 45
29	Locknut - Pinion	1	131095	Socket size 69mm
30	Bearing Cup	1	139976*	
31	Bearing Cone	1	139975*	
32	Input Shaft & Helical Gear 1.39:1	1	131353	
33	Bearing Cone - Input Shaft	1	139973*	
Kit - INPUT COVER		1	504188	Includes items 33-38A ref. HAXL-PNI-086
34	Input Cover - 131328-NSS	1	131687	Order 504188 kit ref. HAXL-PNI-086
35	Capscrew - Input Cover	1	131374	
36	Nut - Adjuster Stud	1	131693	M12 thread
37	Stud - Adjuster	1	131692	M12 thread
38	Input Adjuster & Cup Assy.	1	10049231	ref. HAXL-PNI-086
38A	Bearing Cup - Input Adjuster	1	139974*	Part of item# 38
KIT - INPUT SEAL & LOCKNUT		1	131008K	Includes items 39-40, 45
39	Input Seal	1	10032666	Sold in 131008K kit also

Item	Description	Qty	S590, S590D R590, R590D	Notes
KIT - PINION NUT		1	131095K	Includes item 40 & 45
40	Input Locknut	1	131095	Socket size 69mm
41	Cover - Diff Lock Shift	2	131096	See Note 1
42	Plug - Diff Lock Shift	2	127195	See Note 1
43	O-Ring - Diff Lock Cover	2	131665	See Note 1
44	Plug & O-Ring - Diff Lock Cover	1	131487	For Non-diff lock models only
45	Loctite Adhesive .5ml tube	1	129293	Item not illustrated
46	RTV Sealant - 3oz	1	107276S*	Item not illustrated

Note 1: Quantity used is 2 unless you have a Diff Lock model, see page 34 for diff lock shift parts.

DIFF CARRIER SUB-ASSEMBLY

Item	Model	Part No.	Notes
1	S590, S590D, R590, R590D	10035422	Includes items 1-4 ref. HAXL-PNI-084

CARRIER SUB-ASSEMBLY IDENTIFICATION INFORMATION:

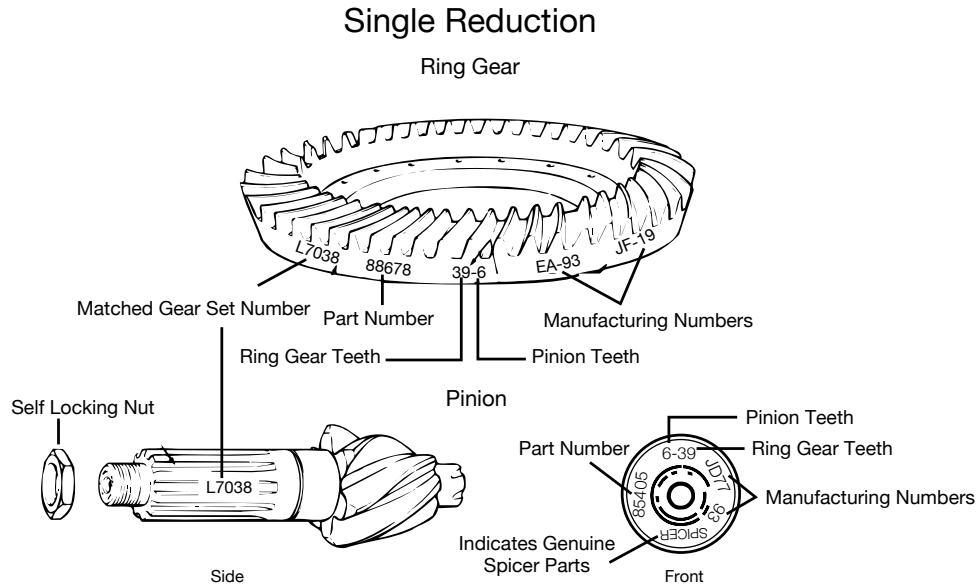
Part No.	Casting #	Notes
10035422	131222	Built w/Pilot Web ref. HAXL-PN1-084

Gear & Pinion Kits

RING GEAR & PINION IDENTIFICATION

Dana has highly developed primary axle gearing which is only used in matched sets. These sets are identified by the mating parts listed below. Within any Dana production drive axle or genuine Spicer® Gear & Pinion service kits, these mated part numbers will appear. Because they are developed as a set with precision machining, never mix gears and pinions from different mated sets within an axle. Shortened gearing life, noise and failure may occur. Always use genuine Spicer® products.

- Ring Gear and Drive Pinion are matched parts and must be replaced in sets.
- Identification of mated parts are shown on the drawing below.



D170, D170D, S170E HIGH ENTRY MODELS

RING GEAR SIZE: 17.7"
PINION NUT PART NO. 131095

Ratio	Spicer Service Kit Part No.	Gear Part No.	Pinion Part Number	Tooth
3.07	513882	131281	131250	43-14
3.21	513883	131282	131261	45-14
3.42	513885	131283	131253	41-12
3.58	513886	131284	131254	43-12
3.73	513887	131283	131255	41-11
3.91	513888	131284	131256	43-11
4.10	513889	131283	131257	41-10
4.30	513890	131284	131258	43-10
4.56	513891	131285	131259	41-9
4.78	513892	131286	131260	43-9
5.25	513893	131287	131261	42-8
5.38	513894	131288	131262	43-8
5.57	513895	131289	131263	39-7
6.14	513896	131288	131264	43-7
6.83	513897	131290	131265	41-6
7.17	513898	131288	131266	43-6

R170, R170D, S170, S170D

RING GEAR SIZE: 17.7"
PINION NUT PART NO. 131095

Ratio	Spicer Service Kit Part No.	Gear Part No.	Pinion Part Number	Tooth
3.07	513917	131183	131150	43-14
3.21	513918	131185	131151	45-14
3.42	513920	131186	131153	41-12
3.58	513921	131187	131154	43-12
3.73	513922	131186	131155	41-11
3.91	513923	131187	131156	43-11
4.10	513924	131186	131157	41-10
4.30	513925	131187	131158	43-10
4.30 BC	504024	131596	133800	43-10
4.56	513926	131188	131159	41-9
4.78	513927	131189	131160	43-9
5.25	513928	131190	131161	42-8
5.38	513929	131460	131456	43-8
5.57	513930	131461	131457	39-7
6.14	513931	131460	131458	43-7
6.83	513932	131462	131459	41-6
7.17	513933	131463	131475	43-6

Gear & Pinion Kits, continued

**D190, D190D, D/R590, D/R590D, S590, S590D, S190E
HIGH ENTRY MODELS**

**RING GEAR SIZE: 18.5"
PINION NUT PART NO. 131095**

Ratio	Spicer Service Kit Part No.	Gear Part No.	Pinion Part Number	Tooth
3.42 (4.75)	513899	131283	131267	41-12
3.58 (4.99)	513900	131284	131268	43-12
3.73 (5.19)	513901	131283	131269	41-11
3.91 (5.44)	513902	131284	131270	43-11
4.10 (5.70)	513903	131283	131271	41-10
4.30 (5.98)	513904	131284	131272	43-10
4.56 (6.34)	513905	131285	131273	41-9
4.78 (6.65)	513906	131286	131274	43-9
5.25 (7.30)	513907	131287	131275	42-8
5.38 (7.48)	513908	131288	131276	43-8
5.57 (7.75)	513909	131289	131277	39-7
6.14 (8.55)	513910	131288	131278	43-7
6.83 (9.51)	513911	131290	131279	41-6
7.17 (9.97)	513912	131288	131280	43-6
7.83 (10.90)	513913	131522	131521	47-6

Note 1: Ratios shown in parentheses are ratio callouts for "Double Reduction 590 models" which use a 1:39-1 helical reduction gearing.

R190S, R190D, S190S, S190D

**RING GEAR SIZE: 18.5"
PINION NUT PART NO. 131095**

Ratio	Spicer Service Kit Part No.	Gear Part No.	Pinion Part Number	Tooth
2.53	513934	131506	131505	43-17
2.69	513935	131191	131162	43-16
2.87	513936	131191	131163	43-15
2.93	513937	131192	131164	41-14
3.07	513938	131191	131165	43-14
3.21	513939	131193	131166	45-14
3.42	513941	131194	131168	41-12
3.58	513942	131195	131169	43-12
3.73	513943	131194	131170	41-11
3.91	513944	131195	131171	43-11
4.10	513945	131194	131172	41-10
4.30	513946	131195	131176	43-10
4.56	513947	131194	131174	41-9
4.78	513948	131195	131175	43-9
5.25	513949	131196	131176	42-8
5.38	513950	131197	131177	43-8
5.57	513951	131198	131178	39-7
6.14	513952	131197	131179	43-7
6.83	513953	131198	131180	41-6
7.17	513954	131197	131181	43-6
7.83	513955	131200	131182	47-6

Bearing Kits

FORWARD CARRIER MODELS

Part Description	Qty	504380	504381	504382
		D170S, S170E	D170D	All D190, D590, S590, R590 All S190E & S190DE
Brg Cup - Diff Plain Half	1	140012-1	140020-1	140020-1
Bearing Cone - Diff Plain Half	1	140014	140019	140019
Brg Cup - Diff Flg Half	1	140012-1	140012-1	140012-1
Brg Cone - Diff Flg Half	1	140014	140014	140014
Bearing - Pinion Pilot	1	-----	-----	129947
Brg Cup - Inner Pinion	1	139969	139969	139969
Brg Cone - Inner Pinion	1	139968	139968	139968
Brg Cup - Outer Pinion	1	139972	139972	139972
Brg Cone - Outer Pinion	1	139971	139971	139971
Brg Cup - O/P Side Gear	1	139976	139976	139976
Brg Cone - O/P Side Gear	1	139975	139975	139975
Brg Cup - Input Adjuster	1	139974	139974	139974
Brg Cone - Input Shaft	1	139973	139973	139973
V-Ring	1	131333*	131333	131333* See Note 1
Oil Seal - Input Location	1	10032666	10032666	10032666
Gasket Compound - RTV	1	107276S	107276S	107276S

Note 1: The S590 & R590 models and High Entry "E" models do not use the V-Ring - simply discard it.

SINGLE & REAR-REAR CARRIER MODELS

Part Description	Qty	504383	504384	504385	504380	504385	504387
		R170S, S170S 2.69 - 3.91	R170S, S170S 4.10 - 7.17	R170D, S170D 2.69 - 3.91	R170D, S170D 4.10 - 7.17	R190, S190 2.53 - 4.78	R190, S190 5.25 - 7.83
Brg Cup - Diff Plain Half	1	140012	140012	140020	140020	140020	140020
Bearing Cone - Diff Plain Half	1	140014	140014	140019	140019	140019	140019
Brg Cup - Diff Flg Half	1	140012	140012	140012	140012	140012	140012
Brg Cone - Diff Flg Half	1	140014	140014	140014	140014	140014	140014
Bearing - Pinion Pilot	1	129947	-----	129947	-----	129947	126187
Brg Cup - Inner Pinion	1	139969	139969	139969	139969	139969	139969
Brg Cone - Inner Pinion	1	139968	139968	139968	139968	139968	139968
Brg Cup - Outer Pinion	1	139969	139969	139969	139969	139969	139969
Brg Cone - Outer Pinion	1	139970	139970	139970	139970	139970	139970
Oil Seal - R-Pinion	1	10032666	10032666	10032666	10032666	10032666	10032666
Gasket Compound - RTV	1	107276S	107276S	107276S	107276S	107276S	107276S

Bearing Spacers

Select a variable pinion bearing spacer from the list below to attain the correct pinion bearing preload. All procedures on “Pinion Bearing Preload” remain the same and the proper steps should be followed according to your Dana Spicer Service Manual AXSM-0057. Spicer Pinion Bearing Spacer kits are available as shown below.

PINION BRG SPACER KIT: 504041

MODELS: ALL D170, D190, D/R590, S590, D170E/D190E

Dana Part No.	Spacer Thickness (mm)
131376	21.760
*131408	22.360
131377	21.790
*131409	22.375
*131378	21.820
131410	22.390
131379	21.850
131411	22.405
131380	21.880
131412	22.420
131381	21.910
*131413	22.435
131382	21.940
131414	22.450
131383	21.970
131415	22.465
131384	22.000
131416	22.495
131385	22.015
131417	22.525
131386	22.030
131418	22.555
131387	22.045
131419	22.585
131388	22.060
131420	22.615
131389	22.075
*131421	22.645
131090	8.500
131390	22.090
131422	22.675
*131391	22.105
131423	22.705

Dana Part No.	Spacer Thickness (mm)
131392	22.120
132838	21.775
*131393	22.135
132839	21.805
131394	22.150
132840	21.835
131395	22.165
132841	21.865
131396	22.180
132842	21.895
131397	22.195
132843	21.925
131398	22.210
*132844	21.955
*131399	22.225
132845	21.985
*131400	22.240
132846	22.470
131401	22.255
132847	22.510
131402	22.270
132848	22.540
131403	22.285
132849	22.570
131404	22.300
132850	22.600
131405	22.315
132851	22.630
131406	22.330
132852	22.660
131407	22.345
132853	22.680

PINION BRG SPACER KIT: 504042

MODELS: ALL R170, S170, R190, S190

Dana Part No.	Spacer Thickness (mm)
131053	7.750
131074	8.140
132825	7.765
131075	8.155
131054	7.780
131076	8.170
132826	7.795
*131077	8.185
131055	7.810
131078	8.200
132827	7.825
*131079	8.215
131056	7.840
131080	8.230
132828	7.855
131081	8.245
131057	7.870
131082	8.260
*132829	7.885
*132830	8.275
131058	7.900
131083	8.290
131059	7.915
*132831	8.305
*131060	7.930
131084	8.320
131389	22.075
*131421	22.645
131090	8.500
131390	22.090
131422	22.675
*131391	22.105
131423	22.705

Dana Part No.	Spacer Thickness (mm)
131061	7.945
132832	8.335
131062	7.960
131085	8.350
131063	7.975
132833	8.365
131064	7.990
*132834	8.395
*131065	8.005
131086	8.380
131066	8.020
131087	8.410
131067	8.035
132835	8.425
131068	8.050
131088	8.440
*131069	8.065
132836	8.455
*131070	8.080
132837	8.485
131071	8.095
131089	8.470
131072	8.110

Spicer Wheel Differential Case Kits

WHEEL DIFFERENTIAL CASE KIT REFERENCE CHART:

Kit Part-NO	Flange Half (A)	Plain Half (B)	(B) Plain Half Case Design	Ring Gear Bolts (C)
504134	139996	140004		
504135	139997	140003		
504136	139998	140002		
504137	139996	140003		
504138	139997	140002		
504139	139997	139999	DL	131473 (qty-16)
504140	139997	140000	DL	Note - 504069
504141	139998	139999	DL	Bolt Kit Contains
504142	139996	140001	DL	qty 16 of
504143	139996	140000	DL	
504148	139998	140025	DL	
504435	139998	140003		
504436	139998	140000	DL	

DL = Diff Lock Splined Diff Case

All new designed Plain Half diff cases now have "Lubrication Holes"

WHEEL DIFFERENTIAL CASE KITS:

- Dana Wheel Differential Cases are sold individually and in kit form. When doing ratio changes or replacing original diff cases from the field, check the individual part numbers you are replacing to ensure you are installing or ordering the correct parts. Be sure to know which model design is being worked on. Refer to the Model & Ratio chart matrix for case & kit part numbers.

Dana Model	Ratio	SERVICE KIT	Flange Half Case	Plain Half Case
D170 D170P S170E	3.07	504134	139996	140004
	3.21			
	3.42	504135	139997	140003
	3.58			
	3.73			
	3.91	504136	139998	140002
	4.10			
	4.30			
	4.56			
	4.78	504135	139997	140003
	5.25			
	5.38			
	5.57	504435	139998	140003
	6.14	504136	139998	140002
6.83				
7.17				

Each Dana Diff Case Service Kit contains 16 bolts, part number 131473

Wheel Differential Case Kits



Dana Model	Ratio	SERVICE KIT	Flange Half Case	Plain Half Case
S170S R170S	3.07	504135	139997	140003
	3.21			
	3.42			
	3.58			
	3.73			
	3.91	504136	139998	140002
	4.10			
	4.30			
	4.56			
	4.78			
	5.25			
	5.38			
	5.57			
	6.14			
6.83				
7.17				
D170D D170DP S170DE	3.07	504142	139996	140001
	3.21	504140	139997	140000
	3.42			
	3.58	504141	139998	139999
	3.73			
	3.91	504148	139998	140025
	4.10			
	4.30			
	4.56			
	4.78	504140	139997	140000
	5.25			
	5.38	504436	139998	140000
	5.57	504141	139998	139999
	6.14	504148	139998	140025
6.83				
7.17				

Each Dana Diff Case Service Kit contains 16 bolts, part number 131473

Spicer Wheel Differential Case Kits

WHEEL DIFFERENTIAL CASE KIT REFERENCE CHART:

Dana Model	Ratio	SERVICE KIT	Flange Half Case	Plain Half Case
S170D R170D S170DR	3.07	504140	139997	140000
	3.21			
	3.42			
	3.58			
	3.73			
	3.91			
	4.10	504148	139998	140025
	4.30			
	4.56			
	4.78			
	5.25			
	5.38			
	5.57	504141	139998	139999
	6.14	504148	139998	140025
	6.83	504141	139997	140000
7.17				
7.83				
S190 S190D S190E S190DE	3.42	504140	139997	140000
	3.58			
	3.73	504141	139998	139999
	3.91			
	4.10	504148	139998	140025
	4.30			
	4.56			
	4.78			
	5.25	504140	139997	140000
	5.38			
	5.57	504436	139998	140000
	6.14	504141	139998	139999
	6.83	504148	139998	140025
7.17				
7.83				

Each Dana Diff Case Service Kit contains 16 bolts, part number 131473

Wheel Differential Case Kits



Dana Model	Ratio	SERVICE KIT	Flange Half Case	Plain Half Case
R190 R190D S190 S190D S190R S190DR S190NS	2.53	504142	139996	140001
	2.69			
	2.87			
	2.93			
	3.07	505090	139997	140001
	3.21			
	3.42	504140	139997	140000
	3.58	504140	139997	140000
	3.73			
	3.91	504436	139998	140000
	4.10	504141	139998	139999
	4.30			
	4.56	504148	139998	139999
	4.78			
	5.25			
	5.38			
	5.57	504141	139998	139999
6.14				
6.83	504148	139998	140025	
7.17				
7.83				
D590 D590D R590 S590 S590D	4.75	504140	139997	140000
	4.99			
	5.19	504141	139998	139999
	5.44			
	5.70	504148	139998	140025
	5.98			
	6.34			
	6.65			
	7.30	504140	139997	140000
	7.48			
	7.75	504436	139998	140000
	8.55	504141	139998	139999
	9.51	504148	139998	140025
9.97				
10.90				

Each Dana Diff Case Service Kit contains 16 bolts, part number 131473

Summary of Axle Housing Related Service Kits

Description	Kit Part-No.	Notes
Output Shaft Bearing Kit-Current Builds	504060	Includes items 4-6
Output Shaft Kit	512894	Includes items 1 and 2
D-Housing Cover Hardware Kit	513351	Includes items 8-9, 11-12
Axle Housing Hardware Kit - Forward	512896	Includes items 18-22, 26-27
Axle Housing Hardware Kit - Rear	512897	Includes items 18-19, 26-27
U-Tube Breather Kit	507162	Includes items 16 and 17

Axle Housing Fastener Hardware Kits

D-HOUSING COVER OR BOLT-ON COVER FASTENER KIT MODEL: D190, S190, D590, S590, R590

DANA# 513351

Qty	Part-No.	Description
4	131105	Capscrew - 55mm
8	131375	Capscrew - 70mm
2	132927	Stud - dbl ended
2	127567	Nut
2	130877	Washer
1	129293	Loctite Adhesive .5ml tube
1	107276S	RTV Sealant - 3oz

CARRIER-TO-HOUSING FASTENER KIT MODELS: D170, D190, S190DE, S590, R590

DANA# 512896

Qty	Part-No.	Description
9	131105	Capscrew - 55mm
3	131106	Capscrew - 85mm
2	132927	Stud - dbl ended
2	127567	Nut
2	130877	Washer
1	129293	Loctite Adhesive .5ml tube
1	107276S	RTV Sealant - 3oz

CARRIER-TO-HOUSING FASTENER KIT MODELS: R170, R190, S170, S190

DANA# 512897

Qty	Part-No.	Description
10	131105	Capscrew - 55mm
4	131106	Capscrew - 85mm
1	129293	Loctite Adhesive .5ml tube

Axle Housing Cover Kits

The D190, S190 & S590 models have a bolt on axle housing covers, shown below are the kit contents.

D190 - AXLE HSG COVER & BRG PARTS KIT: 504061

Item	Description	Qty Per Axle	Part No.	Notes
1	Cover, Axle Housing	1	134324	
2	Plug - Cover	1	90898	1/2"
3	Plug - Lube Fill	1	129492	3/4" non magnetic
4	Bearing Cone	2	139977	
5	Snap Ring .109"	1	134322	
6	Bearing Cup	2	139978	

D190 - AXLE HSG COVER KIT: 514322

Item	Description	Qty Per Axle	Part No.	Notes
1	Cover, Axle Housing	1	302704	(cover not illustrated) S190 mdl's only
2	Plug - Cover	1	90898	1/2"
3	Plug - Lube Fill	1	129492	3/4" non magnetic
4	Capscrew - Long	8	131375	70mm
5	Capscrew - Short	6	131105	55mm
6	Washer	14	130877	

D190 - AXLE HSG COVER KIT: 514322

Item	Description	Qty Per Axle	Part No.	Notes
1	Cover, Axle Housing	1	302622	(cover not illustrated) S590 mdl's only
2	Plug - Cover	1	90898	1/2"
3	Plug - Lube Fill	1	129492	3/4" non magnetic

D/R170 Most Popular Bare Axle Housings

Dana Model	Original Production Part No.	For Service Order Part No.	Wall Thickness (mm)	Trac Length	Replaces Old Service Part No.	Misc. Design Notes
D170	324252	324252	12.5	2078	321981	no abs blocks
	324275	324275	12.5	2078	-----	has abs blocks (0 deg location)
	324270	324270	16	2078	321981	has abs blocks (0 deg location)
	324290	324290	16	2078	-----	has abs blocks (90 deg location)
	324271	324271	16	2222	322895	has abs blocks (0 deg location)
R170, S170	322484-nss	322485	11	2078	-----	no abs blocks
	323301-nss	322703	12.5	2078	-----	has abs blocks (0 deg location)
	322968-nss	322969	16	2078	-----	has abs blocks (0 deg location)
	322896-nss	322897	16	2222	-----	has abs blocks (0 deg location)

nss = not sold separately

D170 Axle Housing Replacement Chart

Current Production No.	For Service Order Part No.	Wall Thickness (mm)	Trac Length	ABS Blocks	Torque Rod Bracket or Tracking Rod Brackets	Hanger Brackets	Misc. Design Notes
324252	324252	12.5	2078				
324253	324270	16	2078				
324254	324252	11	2078				
324255	call Dana	12.5	2078		x	x	
324256	call Dana	12.5	2078		x	x	
324257	call Dana	12.5	2078		x		
324258	call Dana	12.5	2078		xx	x	
324259	324259	16	2078			x	
324260	call Dana	16	2078			x	
324261	call Dana	12.5	2078		x		
324262	324262	12.5	2078		x		
324263	call Dana	11	2078		x		
324264	call Dana	11	2078		x		
324265	324265	11	2078		x		
324266	324266	12.5	2078			x	
324267	call Dana	12.5	2078		x	x	
324268	call Dana	12.5	2078		xx	x	
324269	324252	11	2078				
324270	324270	16	2078	x			
324271	324271	16	2222	x			
324272	324272	16	2222			x	
324273	call Dana	16	2078	x		x	
324274	call Dana	16	2222	x		x	
324275	324275	12.5	2078	x			
324276	324276	12.5	2078		x		
324277	324277	12.5	2078		x		
324278	324278	16	2078		x		
324279	324279	16	2078		x	x	

D170 Axle Housing Replacement Chart (Continued)

Current Production No.	For Service Order Part No.	Wall Thickness (mm)	Trac Length	ABS Blocks	Torque Rod Bracket or Tracking Rod Brackets	Hanger Brackets	Misc. Design Notes
324280	call Dana	16	2078		x		
324281	324252	12.5	2078				
324282	call Dana	12.5	2078			x	
324283	324270	16	2078				
324284	324284	16	2078		x	x	
324285	324271	16	2222				
324286	324275	11	2078	x			
324287	call Dana	11	2078		x		
324288	call Dana	11	2078		x		
324289	call Dana	16	2078	x			
324290	324290	16	2078	x			
324291	324291	16	2078			x	
324292	324252	11	2078				
324293	324271	16	2222				
324294	call Dana	16	2222		x	x	
324295	call Dana	16	2222		x	x	
324296	324270	16	2078				
324297	324297	12.5	2078		x		
324298	324298	16	2078		x		
324299	call Dana	11	2078		x		
324300	324252	12.5	2078				
324301	call Dana	12.5	2078				unique fig dia.
324302	call Dana	12.5	2078	x	xx	x	
324303	call Dana	12.5	2078	x	xx	x	
324304	call Dana	16	2078	x	xx	x	
324305	call Dana	16	2078	x	xx	x	
324306	call Dana	16	2222	x	xx	x	
324307	call Dana	16	2222	x	xx	x	
324308	call Dana	12.5	2078	x	x	x	
324309	call Dana	16	2078	x		x	
324310	call Dana	11	2078			x	
324311	324270	16	2078				
324312	324312	16	2078		x	x	
324313	call Dana	16	2078		x		
324314	324314	12.5	2078			x	
324315	call Dana	16	2078		x	x	
324316	324316	12.5	2078			x	
324317	call Dana	11	2078			x	
324318	call Dana	16	2222		x	x	
324319	call Dana	16	2078	x	x	x	
324320	324320	12.5	2078	x	x	x	
324321	call Dana	16	2078			x	
324322	call Dana	16	2078	x	x	x	

D170 Axle Housing Replacement Chart (Continued)

Current Production No.	For Service Order Part No.	Wall Thickness (mm)	Trac Length	ABS Blocks	Torque Rod Bracket or Tracking Rod Brackets	Hanger Brackets	Misc. Design Notes
324323	324252	11	2078				
324324	324324	16	2078			x	
324325	call Dana	12.5	2078		xx	x	
324326	324326	16	2078		xx	x	
324327	324327	16	2222			x	
324328	call Dana	12.5	2078	x	x		
324329	call Dana	16	2078	x	x		
324330	call Dana	11	2078			x	
324331	call Dana	16	2078		x	x	
324332	call Dana	12.5	2078	x	xx	x	
324333	call Dana	12.5	2078		x	x	
324334	324271	16	2222				
324335	call Dana	16	2222		x	x	
324336	call Dana	16	2078		x		
324337	call Dana	16	2078		x		
324338	324338	12.5	2078	x		x	
324339	call Dana	16	2222			x	
324340	call Dana	12.5	2078	x		x	
324341	call Dana	16	2222			x	
324342	324342	12.5	2078		x		
324343	324343	16	2222			x	
324344	call Dana	11	2078		x		
324345	call Dana	16	2078			x	
324346	call Dana	11	2078		x		
324347	call Dana	12.5	2078			x	
324348	call Dana	16	2222		x		
324349	call Dana	16	2078	x		x	
324350	call Dana	16	2078	x	xx	x	
324351	call Dana	12.5	2078		x		
324352	call Dana	11	2078	x	xx	x	
324353	call Dana	11	2078	x	xx	x	
324354	call Dana	12.5	2078	x	xx	x	
324355	call Dana	12.5	2078	x	xx	x	
324356	call Dana	16	2078	x	xx	x	
324357	call Dana	16	2078	x	xx	x	
324358	call Dana	16	2222	x	xx	x	
324359	call Dana	16	2222	x	xx	x	
324360	call Dana	11	2078		xx	x	
324361	call Dana	11	2078		xx	x	
324362	call Dana	12.5	2078		xx	x	
324363	call Dana	12.5	2078		xx	x	
324364	call Dana	16	2078		xx	x	
324365	call Dana	16	2078		xx	x	
324366	call Dana	16	2222		xx	x	
324367	call Dana	16	2222		xx	x	

R170/S170 Axle Housing Replacement Chart

Current Production No.	For Service Order Part No.	Wall Thickness (mm)	Trac Length	ABS Blocks	Torque Rod Bracket or Tracking Rod Brackets	Hanger Brackets	Misc. Design Notes
322484	322485	11	2078				bare service hsg
322648	322649	12.5	2078			x	
322748	322749	12.5	2078		x		
322756	322757	11	2078		x		
322866	322867	11	2078		x		
322892	322892	16	2078	x			abs block offset
322896	322897	16	2222	x			
322900	322901	16	2222			x	
322904	322905	16	2078	x		x	
322936	322937	11	2078	x			
322958	322959	12.5	2078	x	x		
322962	322963	12.5	2078	x	x		
322966	322967	12.5	2078	x	x	x	
322968	322969	16	2078	x			
322972	322973	16	2078	x	x		
322976	322977	16	2078	x	x	x	
323270	323271	11	2078	x			roll over design
323301	322703	12.5	2078	x			
323341	502003	11	2078	x	x		
323391	502074	12.5	2078				roll over design
323392	323392	16	2078				roll over design
323411	502054	16	2078	x		x	
323436	323436	16	2078		x		
323440	502017	12.5	2078			x	
323456	502014	16	2078		x	x	
323458	502065	12.5	2078			x	
323471	502059	12.5	2078			x	
323509	502009	16	2078	x	x	x	
323533	502064	16	2078		x	x	
323534	323059	16	2078	x			
323562	502021	16	2222			x	
323575	323575	11	2078		x		
323664	502080	12.5	2078		x		
323790	323790	12.5	2078		x		
323885	502067	12.5	2078	x		x	
323919	323919	12.5	2078		x		roll over design
323923	323923	16	2078		x	x	
323977	502084	16	2222			x	

Axle Shafts

Dana 170/190 series axle shafts are used in “sets,” and are shown as sets in the chart below. They have unequal shaft lengths and are “location specific” and/or “Wheel Equipment specific.” When replacing the axle shafts, locate the axle shaft part number in the chart or select the correct axle shaft using the dimensional information. Always verify part numbers before placing your order.

Axle Shafts - For Standard Models

Part No.	Qty	Spline	Body O.D.	Shaft Length	Spline Length	BC Dim.	Flange O.D.	Flange Holes
----------	-----	--------	-----------	--------------	---------------	---------	-------------	--------------

MODELS: D/R170, S170, S190(NOTE 1)

131428	1	46	2.06	37.000	3.70	7.000	8.500	.948-TPR
131429	1	46	2.06	46.000	3.70	7.000	8.500	.948-TPR
131804	1	46	2.06	45.150	3.70	7.000	8.500	.773-STR
131805	1	46	2.06	36.150	3.70	7.000	8.500	.773-STR

MODELS: D/R190, S190, D/S590, S170E, S190E

131246	1	46	2.25	37.000	3.70	7.000	8.500	.948-TPR
131247	1	46	2.25	46.000	3.70	7.000	8.500	.948-TPR
131516	1	46	2.25	45.150	3.70	7.000	8.500	.948-TPR
131517	1	46	2.25	37.716	3.70	7.000	8.500	.948-TPR

Note 1: In some Dana approved S21-190 and S23-190 single axle applications, 2.06" body diameter axle shafts are used. Always check the part number on the axle shaft or OEM axle bom before ordering replacement parts. Always use Dana Genuine OE approved parts for the applications they were intended.

Axle Shafts - For Diff Lock Models

Part No.	Qty	Spline	Body O.D.	Shaft Length	Spline Length	BC Dim.	Flange O.D.	Flange Holes
----------	-----	--------	-----------	--------------	---------------	---------	-------------	--------------

MODELS: D/R170D, S170D, D/R190D, S190D, D590D, S590D, S190DE

131245	1	46	2.25	46.000	11.50	7.000	8.500	.948-TPR
131246	1	46	2.25	37.000	3.70	7.000	8.500	.948-TPR
131740	1	46	2.25	45.150	11.50	7.000	8.500	.948-TPR
131741	1	46	2.25	36.150	3.70	7.000	8.500	.948-TPR
131719	1	46	2.25	47.150	11.50	7.244	8.500	.948-TPR
131720	1	46	2.25	38.425	3.70	7.244	8.500	.948-TPR
131806	1	46	2.25	45.150	11.50	7.000	8.500	.773-STR

Axle Shafts - Wide Track Models

Part No.	Qty	Spline	Body O.D.	Shaft Length	Spline Length	BC Dim.	Flange O.D.	Flange Holes
----------	-----	--------	-----------	--------------	---------------	---------	-------------	--------------

MODELS: D/R170D, S170D, D/R190D, S190D, D590D, S590D, S190DE

131503	1	46	2.25	48.835	11.50	7.000	8.500	.948-TPR
131504	1	46	2.25	39.835	3.70	7.000	8.500	.948-TPR
131717	1	46	2.25	46.949	11.50	7.244	8.500	.948-TPR
131718	1	46	2.25	38.898	3.70	7.244	8.500	.948-TPR
131721	1	46	2.25	48.425	11.50	7.244	8.500	.948-TPR
131722	1	46	2.25	39.331	3.70	7.244	8.500	.948-TPR
131721	1	46	2.25	48.425	11.50	7.244	8.500	.948-TPR
131723	1	46	2.25	40.394	3.70	7.244	8.500	.948-TPR
131724	1	46	2.25	50.945	11.50	7.244	8.500	.948-TPR
131725	1	46	2.25	42.894	3.70	7.244	8.500	.948-TPR
131726	1	46	2.25	53.445	11.50	7.244	8.500	.948-TPR
131727	1	46	2.25	45.394	3.70	7.244	8.500	.948-TPR
131750	1	46	2.25	49.291	11.50	7.244	8.500	.948-TPR
131751	1	46	2.25	40.196	3.70	7.244	8.500	.948-TPR
134052	1	46	2.25	50.154	11.50	7.000	8.500	.948-TPR
134054	1	46	2.25	41.154	3.70	7.000	8.500	.948-TPR

Note 2: When doing "Upgrades" from Non-Diff Lock applications to "Diff Lock" in the 170 series, both axle shafts must be replaced by the 2.25" body diameter design, refer to the chart to select the correct axle shafts.

S170 - Standard Carrier

SPLINE: 46 INVOLUTE
GEARING: 18.00" RING GEAR DIAMETER
SIDE GEAR PART NUMBER: 300GD101
FASTENER KIT: N/A

These new carrier units directly replace single axle models S21-170, S23-170, S26-170 and tandem rear-rear models R40-170, R46-170 with no modifications. Model on ID tag may be R46-170.

Ratio	New Carrier Exchange	New Carrier Core Free	Old Carrier Part -NLA
3.07	S170307EX	S170307CF	683183
3.21	S170321EX	S170321CF	683184
3.42	S170342EX	S170342CF	683186
3.58	S170358EX	S170358CF	683187
3.73	S170373EX	S170373CF	683188
3.91	S170391EX	S170391CF	683189
4.10	S170410EX	S170410CF	683190
4.30	S170430EX	S170430CF	683191
4.56	S170456EX	S170456CF	683192
4.78	S170478EX	S170478CF	683193
5.25	S170525EX	S170525CF	683194
5.38	S170538EX	S170538CF	683252
5.57	S170557EX	S170557CF	683253
6.14	S170614EX	S170614CF	683254
6.83	S170683EX	S170683CF	683255
7.17	S170717EX	S170717CF	683256

S170 - Standard Carrier w/ No Spin Option

SPLINE: 46 INVOLUTE
GEARING: 18.00" RING GEAR DIAMETER
NO SPIN DIFF PART NUMBER: 131882
FASTENER KIT: N/A

These new carrier units directly replace single axle models S21-170NS, S23-170NS, S26-170NS and tandem rear-rear models R40-170NS and R46-170NS with no modifications. Model on ID tag may be R46-170NS.

Ratio	New Carrier Exchange	New Carrier Core Free	Old Carrier Part -NLA
3.07	S170307EX	S170307CF	683519
3.21	S170321EX	S170321CF	683520
3.42	S170342EX	S170342CF	683521
3.58	S170358EX	S170358CF	683522
3.73	S170373EX	S170373CF	683523
3.91	S170391EX	S170391CF	683524
4.10	S170410EX	S170410CF	683525
4.30	S170430EX	S170430CF	683408
4.56	S170456EX	S170456CF	683409
4.78	S170478EX	S170478CF	683410
5.25	S170525EX	S170525CF	683411
5.38	S170538EX	S170538CF	683412
5.57	S170557EX	S170557CF	683382
6.14	S170614EX	S170614CF	683413
6.83	S170683EX	S170683CF	683414
7.17	S170717EX	S170717CF	683526

S170 - Retarder Ready Carrier

SPLINE: 46 INVOLUTE
GEARING: 18.00" RING GEAR DIAMETER
SIDE GEAR PART NUMBER: 300GD101
FASTENER KIT: N/A

These new carrier units directly replace single axle models S23-170R, S26-170R and S30-170R with no modifications.

Ratio	New Carrier Exchange	New Carrier Core Free	Old Carrier Part -NLA
5.25	S170R525EX	S170R525CF	683349

S170FOBC - GenTech™ Quiet Gearing & Rolled Over

SPLINE: 46 INVOLUTE
GEARING: 18.00" RING GEAR DIAMETER
SIDE GEAR PART NUMBER: 300GD101
FASTENER KIT: N/A

These new carrier units directly replace single axle models S23-170R, S26-170R and S30-170R with no modifications.

Ratio	New Carrier Exchange	New Carrier Core Free	Old Carrier Part -NLA
4.30	S170BC430EX	S170BC430CF	683394
4.78	S170BC478EX	S170BC478CF	683500

S170D - Diff Lock Carrier

SPLINE: 46 INVOLUTE
GEARING: 18.00" RING GEAR DIAMETER
SIDE GEAR PART NUMBER: 300GD101
FASTENER KIT: N/A

These new carrier units directly replace single axle models S21-170D, S23-170D, S25-170D and tandem rear-rear models R40-170D, R46-170D, R50-170D with no modifications.

Ratio	New Carrier Exchange	New Carrier Core Free	Old Carrier Part -NLA
3.07	S170D307EX	S170D307CF	683198
3.21	S170D321EX	S170D321CF	683199
3.42	S170D342EX	S170D342CF	683201
3.58	S170D358EX	S170D358CF	683202
3.73	S170D373EX	S170D373CF	683203
3.91	S170D391EX	S170D391CF	683204
4.10	S170D410EX	S170D410CF	683205
4.30	S170D430EX	S170D430CF	683206
4.56	S170D456EX	S170D456CF	683207
4.78	S170D478EX	S170D478CF	683208
5.25	S170D525EX	S170D525CF	683209
5.38	S170D538EX	S170D538CF	683257
5.57	S170D557EX	S170D557CF	683258
6.14	S170D614EX	S170D614CF	683259
6.83	S170D683EX	S170D683CF	683260
7.17	S170D717EX	S170D717CF	683261

**S170DR - Diff Lock w/Retarder
 Ready Option Carrier**

SPLINE: 46 INVOLUTE
GEARING: 18.00" RING GEAR DIAMETER
SIDE GEAR PART NUMBER: 300GD101
FASTENER KIT: N/A

These new carrier units directly replace single axle models S23-170DR, S26-170DR and S30-170DR with no modifications.

Ratio	New Carrier Exchange	New Carrier Core Free	Old Carrier Part -NLA
5.25	S170DR525EX	S170DR525CF	683350

**S170D BC - Diff Lock w/GenTech™
 Quiet Gearing**

SPLINE: 46 INVOLUTE
GEARING: 18.00" RING GEAR DIAMETER
SIDE GEAR PART NUMBER: 300GD101
FASTENER KIT: N/A

These new carrier units directly replace single axle models S23-170D BC, S26-170D BC with no modifications.

Ratio	New Carrier Exchange	New Carrier Core Free	Old Carrier Part -NLA
4.30	S170DBC430EX	S170DBC430CF	683501
4.78	S170DBC478EX	S170DBC478CF	683502

S190 - Standard Carriers

SPLINE: 46 INVOLUTE
GEARING: 18.50" RING GEAR DIAMETER
SIDE GEAR PART NUMBER: 300GD101
FASTENER KIT: 512897

These new carrier units will directly replace single axle models S23-190, S26-190, S30-190 and tandem rear rear models R46-190, R52-190, R60-190 with no modifications.

Ratio	New Carrier Exchange	New Carrier Core Free	Old Carrier Part -NLA
2.53	S190253EX	S190253CF	683288
2.69	S190269EX	S190269CF	683210
2.87	S190287EX	S190287CF	683211
2.93	S190293EX	S190293CF	683212
3.07	S190307EX	S190307CF	683213
3.21	S190321EX	S190321CF	683214
3.42	S190342EX	S190342CF	683216
3.58	S190358EX	S190358CF	683217
3.73	S190373EX	S190373CF	683218
3.91	S190391EX	S190391CF	683219
4.10	S190410EX	S190410CF	683220
4.30	S190430EX	S190430CF	683221
4.56	S190456EX	S190456CF	683222
4.78	S190478EX	S190478CF	683223
5.25	S190525EX	S190525CF	683224
5.38	S190538EX	S190538CF	683225
5.57	S190557EX	S190557CF	683226
6.14	S190614EX	S190614CF	683227
6.83	S190683EX	S190683CF	683228
7.17	S190717EX	S190717CF	683229
7.83	S190783EX	S190783CF	683230

S190 - Standard Carriers w/ No Spin Option

SPLINE: 46 INVOLUTE
GEARING: 18.50" RING GEAR DIAMETER
NO SPIN DIFF PART NUMBER: 131882
FASTENER KIT: 512897

These new carrier units will directly replace single axle models S23-190NS and S26-190NS and tandem rear rear models R46-190NS and R52-190NS with no modifications.

Ratio	New Carrier Exchange	New Carrier Core Free	Old Carrier Part -NLA
2.69	S190N269EX	S190N269CF	683527
2.87	S190N287EX	S190N287CF	683528
2.93	S190N293EX	S190N293CF	683529
3.07	S190N307EX	S190N307CF	683530
3.21	S190N321EX	S190N321CF	683531
3.42	S190N342EX	S190N342CF	683532
3.58	S190N358EX	S190N358CF	683533
3.73	S190N373EX	S190N373CF	683534
3.91	S190N391EX	S190N391CF	683535
4.10	S190N410EX	S190N410CF	683536
4.30	S190N430EX	S190N430CF	683537
4.56	S190N456EX	S190N456CF	683538
4.78	S190N478EX	S190N478CF	683539
5.25	S190N525EX	S190N525CF	683540
5.38	S190N538EX	S190N538CF	683415
5.57	S190N557EX	S190N557CF	683416
6.14	S190N614EX	S190N614CF	683417
6.83	S190N683EX	S190N683CF	683418
7.17	S190N717EX	S190N717CF	683541
7.83	S190N783EX	S190N783CF	683542

S190D - Diff Lock Carrier

SPLINE: 46 INVOLUTE
GEARING: 18.50" RING GEAR DIAMETER
SIDE GEAR PART NUMBER: 300GD101
FASTENER KIT: 512897

These new carrier units will directly replace tandem rear-rear models R46-190D, R52-190D, R60-190D and single axle models S23-190D, S26-190D, and S30-190D with no modifications.

Ratio	New Carrier Exchange	New Carrier Core Free	Old Carrier Part -NLA
2.53	S190D253EX	S190D253CF	683478
2.69	S190D269EX	S190D269CF	683231
2.87	S190D287EX	S190D287CF	683232
2.93	S190D293EX	S190D293CF	683233
3.07	S190D307EX	S190D307CF	683234
3.21	S190D321EX	S190D321CF	683235
3.42	S190D342EX	S190D342CF	683237
3.58	S190D358EX	S190D358CF	683238
3.73	S190D373EX	S190D373CF	683239
3.91	S190D391EX	S190D391CF	683240
4.10	S190D410EX	S190D410CF	683241
4.30	S190D430EX	S190D430CF	683242
4.56	S190D456EX	S190D456CF	683243
4.78	S190D478EX	S190D478CF	683244
5.25	S190D525EX	S190D525CF	683245
5.38	S190D538EX	S190D538CF	683246
5.57	S190D557EX	S190D557CF	683247
6.14	S190D614EX	S190D614CF	683248
6.83	S190D683EX	S190D683CF	683249
7.17	S190D717EX	S190D717CF	683250
7.83	S190D783EX	S190D783CF	683251

S190R - Retarder Ready Option Carrier

SPLINE: 46 INVOLUTE
GEARING: 18.50" RING GEAR DIAMETER
SIDE GEAR PART NUMBER: 300GD101
FASTENER KIT: 512897

These new carrier units will directly replace single axle models S30-190R with no modifications.

Ratio	New Carrier Exchange	New Carrier Core Free	Old Carrier Part -NLA
3.07	S190R307EX	S190R307CF	683543
3.21	S190R321EX	S190R321CF	683544
3.42	S190R342EX	S190R342CF	683545
3.58	S190R358EX	S190R358CF	683546
3.73	S190R373EX	S190R373CF	683547
3.91	S190R391EX	S190R391CF	683548
4.10	S190R410EX	S190R410CF	683549
4.30	S190R430EX	S190R430CF	683550
4.56	S190R456EX	S190R456CF	683551
4.78	S190R478EX	S190R478CF	683552
5.25	S190R525EX	S190R525CF	683553
5.38	S190R538EX	S190R538CF	683554
5.57	S190R557EX	S190R557CF	683479
6.14	S190R614EX	S190R614CF	683555

S190DR - Diff Lock w/Retarder Ready Option Carrier

SPLINE: 46 INVOLUTE
GEARING: 18.50" RING GEAR DIAMETER
SIDE GEAR PART NUMBER: 300GD101
FASTENER KIT: 512897

These new carrier units will directly replace single axle models S26-190DR and S30-190DR with no modifications.

Ratio	New Carrier Exchange	New Carrier Core Free	Old Carrier Part -NLA
3.07	S190DR307EX	S190DR307CF	683593
3.21	S190DR321EX	S190DR321CF	683594
3.42	S190DR342EX	S190DR342CF	683595
3.58	S190DR358EX	S190DR358CF	683596
3.73	S190DR373EX	S190DR373CF	683597
3.91	S190DR391EX	S190DR391CF	683598
4.10	S190DR410EX	S190DR410CF	683599
4.30	S190DR430EX	S190DR430CF	683600
4.56	S190DR456EX	S190DR456CF	683601
4.78	S190DR478EX	S190DR478CF	683602
5.25	S190DR525EX	S190DR525CF	683603
5.38	S190DR538EX	S190DR538CF	683604
5.57	S190DR557EX	S190DR557CF	683605
6.14	S190DR614EX	S190DR614CF	683592

SS590D - Double Reduction Carrier w/ Diff Lock Option

SPLINE: 46 INVOLUTE
GEARING: 18.50" RING GEAR DIAMETER
SIDE GEAR PART NUMBER: 300GD101
FASTENER KIT: N/A

These new carrier units will directly replace single axle models S23-590D, S26-590D, S30-590D and S35-590D and replace rear-rear tandem models R52-590D, R60-590D, R70-590D with no modifications.

Ratio	New Carrier Exchange	New Carrier Core Free	Old Carrier Part -NLA
4.75	S590D475EX	S590D475CF	683166
4.99	S590D499EX	S590D499CF	683167
5.19	S590D519EX	S590D519CF	683168
5.44	S590D544EX	S590D544CF	683169
5.70	S590D570EX	S590D570CF	683564
5.98	S590D598EX	S590D598CF	683621
6.34	S590D634EX	S590D634CF	683391
6.65	S590D665EX	S590D665CF	683393
7.30	S590D730EX	S590D730CF	683565
7.48	S590D748EX	S590D748CF	683566
7.75	S590D775EX	S590D775CF	683567
8.55	S590D855EX	S590D855CF	683392
9.51	S590D951EX	S590D951CF	683568
9.97	S590D997EX	S590D997CF	683569
10.90	S590D1090EX	S590D1090CF	683277

S170E - High Entry Carrier

SPLINE: 46 INVOLUTE
GEARING: 18.00" RING GEAR DIAMETER
SIDE GEAR PART NUMBER: 300GD101
FASTENER KIT: 512896

These new carrier units directly replace single axle models S21-170E, S23-170E with no modifications.

Ratio	New Carrier Exchange	New Carrier Core Free	Old Carrier Part -NLA
3.07	S170E307EX	S170E307CF	683483
3.21	S170E321EX	S170E321CF	683484
3.42	S170E342EX	S170E342CF	683486
3.58	S170E358EX	S170E358CF	683487
3.73	S170E373EX	S170E373C	683488
3.91	S170E391EX	S170E391CF	683489
4.10	S170E410EX	S170E410CF	683490
4.30	S170E430EX	S170E430CF	683491
4.56	S170E456EX	S170E456CF	683492
4.78	S170E478EX	S170E478CF	683493
5.25	S170E525EX	S170E525CF	683494
5.38	S170E538EX	S170E538CF	683495
5.57	S170E557EX	S170E557CF	683496
6.14	S170E614EX	S170E614CF	683497
6.83	S170E683EX	S170E683CF	683498
7.17	S170E717EX	S170E717CF	683499

**S170DE - High Entry Carrier
w/ Diff Lock Option**

SPLINE: 46 INVOLUTE
GEARING: 18.00" RING GEAR DIAMETER
SIDE GEAR PART NUMBER: 300GD101
FASTENER KIT: 512896

These new carrier units directly replace single axle models S21-170DE and S23-170DE with no modifications.

Ratio	New Carrier Exchange	New Carrier Core Free	Old Carrier Part -NLA
3.07	S170DE307EX	S170DE307CF	683503
3.21	S170DE321EX	S170DE321CF	683504
3.42	S170DE342EX	S170DE342CF	683505
3.58	S170DE358EX	S170DE358CF	683506
3.73	S170DE373EX	S170DE373CF	683507
3.91	S170DE391EX	S170DE391CF	683508
4.10	S170DE410EX	S170DE410CF	683509
4.30	S170DE430EX	S170DE430CF	683510
4.56	S170DE456EX	S170DE456CF	683511
4.78	S170DE478EX	S170DE478CF	683512
5.25	S170DE525EX	S170DE525CF	683513
5.38	S170DE538EX	S170DE538CF	683514
5.57	S170DE557EX	S170DE557CF	683515
6.14	S170DE614EX	S170DE614CF	683516
6.83	S170DE683EX	S170DE683CF	683517
7.17	S170DE717EX	S170DE717CF	683518

S190E - High Entry Carrier

SPLINE: 46 INVOLUTE
GEARING: 18.50" RING GEAR DIAMETER
SIDE GEAR PART NUMBER: 300GD101
FASTENER KIT: 512896

These new carrier units will directly replace single axle models S23-190E, S26-190E and S30-190E with no modifications.

Ratio	New Carrier Exchange	New Carrier Core Free	Old Carrier Part -NLA
3.42	S190E342EX	S190E342CF	683556
3.58	S190E358EX	S190E358CF	683125
3.73	S190E373EX	S190E373CF	683557
3.91	S190E391EX	S190E391CF	683558
4.10	S190E410EX	S190E410CF	683559
4.30	S190E430EX	S190E430CF	683560
4.56	S190E456EX	S190E456CF	683130
4.78	S190E478EX	S190E478CF	683131
5.25	S190E525EX	S190E525CF	683561
5.38	S190E538EX	S190E538CF	683133
5.57	S190E557EX	S190E557CF	683134
6.14	S190E614EX	S190E614CF	683135
6.83	S190E683EX	S190E683CF	683562
7.17	S190E717EX	S190E717CF	683137
7.83	S190E783EX	S190E783CF	683563

S190DE - High Entry Carrier w/ Diff Lock Option

SPLINE: 46 INVOLUTE
GEARING: 18.50" RING GEAR DIAMETER
SIDE GEAR PART NUMBER: 300GD101
FASTENER KIT: 512896

These new carrier units will directly replace single axle models S23-190DE, S26-190DE and S30-190DE with no modifications.

Ratio	New Carrier Exchange	New Carrier Core Free	Old Carrier Part -NLA
3.42	S190DE342EX	S190DE342CF	683138
3.58	S190DE358EX	S190DE358CF	683139
3.73	S190DE373EX	S190DE373CF	683140
3.91	S190DE391EX	S190DE391CF	683141
4.10	S190DE410EX	S190DE410CF	683142
4.30	S190DE430EX	S190DE430CF	683143
4.56	S190DE456EX	S190DE456CF	683144
4.78	S190DE478EX	S190DE478CF	683145
5.25	S190DE525EX	S190DE525CF	683146
5.38	S190DE538EX	S190DE538CF	683147
5.57	S190DE557EX	S190DE557CF	683148
6.14	S190DE614EX	S190DE614CF	683149
6.83	S190DE683EX	S190DE683CF	683150
7.17	S190DE717EX	S190DE717CF	683151



Tandem Drive Axle - Single Reduction Carriers

D170 - Standard Carrier

SPLINE: 46 INVOLUTE
GEARING: 18.00" RING GEAR DIAMETER
SIDE GEAR PART NUMBER: 300GD101
FASTENER KIT: 512896

These new carrier units directly replace tandem forward models
D40-170, D46-170 and D50-170 with no modifications.

Ratio	New Carrier Exchange	New Carrier Core Free	Old Carrier Part -NLA
3.07	D170307EX	D170307CF	683000
3.21	D170321EX	D170321CF	683001
3.42	D170342EX	D170342CF	683003
3.58	D170358EX	D170358CF	683004
3.73	D170373EX	D170373CF	683005
3.91	D170391EX	D170391CF	683006
4.10	D170410EX	D170410CF	683007
4.30	D170430EX	D170430CF	683008
4.56	D170456EX	D170456CF	683009
4.78	D170478EX	D170478CF	683010
5.25	D170525EX	D170525CF	683011
5.38	D170538EX	D170538CF	683012
5.57	D170557EX	D170557CF	683013
6.14	D170614EX	D170614CF	683014
6.83	D170683EX	D170683CF	683015
7.17	D170717EX	D170717CF	683016

Tandem Drive Axle - Single Reduction Carriers



D170P - Standard Carrier w/ Pump Option

SPLINE: 46 INVOLUTE
GEARING: 18.00" RING GEAR DIAMETER
SIDE GEAR PART NUMBER: 300GD101
FASTENER KIT: 512896

These new carrier units directly replace tandem forward models D40-170P, D46-170P and D50-170P with no modifications.

Ratio	New Carrier Exchange	New Carrier Core Free	Old Carrier Part -NLA
3.07	D170P307EX	D170P307CF	683034
3.21	D170P321EX	D170P321CF	683035
3.42	D170P342EX	D170P342CF	683037
3.58	D170P358EX	D170P358CF	683038
3.73	D170P373EX	D170P373CF	683039
3.91	D170P391EX	D170P391CF	683040
4.10	D170P410EX	D170P410CF	683041
4.30	D170P430EX	D170P430CF	683042
4.56	D170P456EX	D170P456CF	683043
4.78	D170P478EX	D170P478CF	683044
5.25	D170P525EX	D170P525CF	683045
5.38	D170P538EX	D170P538CF	683046
5.57	D170P557EX	D170P557CF	683047
6.14	D170P614EX	D170P614CF	683048
6.83	D170P683EX	D170P683CF	683049
7.17	D170P717EX	D170P717CF	683050

S170 - Standard Carrier

SPLINE: 46 INVOLUTE
GEARING: 18.00" RING GEAR DIAMETER
SIDE GEAR PART NUMBER: 300GD101
FASTENER KIT: 512897

These new carrier units directly replace tandem rear-rear models R40-170 & R46-170 and single axle models S21-170, S23-170 & S26-170 with no modifications. Model on ID tag may be R46-170.

Ratio	New Carrier Exchange	New Carrier Core Free	Old Carrier Part -NLA
3.07	S170307EX	S170307CF	683183
3.21	S170321EX	S170321CF	683184
3.42	S170342EX	S170342CF	683186
3.58	S170358EX	S170358CF	683187
3.73	S170373EX	S170373CF	683188
3.91	S170391EX	S170391CF	683189
4.10	S170410EX	S170410CF	683190
4.30	S170430EX	S170430CF	683191
4.56	S170456EX	S170456CF	683192
4.78	S170478EX	S170478CF	683193
5.25	S170525EX	S170525CF	683194
5.38	S170538EX	S170538CF	683252
5.57	S170557EX	S170557CF	683253
6.14	S170614EX	S170614CF	683254
6.83	S170683EX	S170683CF	683255
7.17	S170717EX	S170717CF	683256



Tandem Drive Axle - Single Reduction Carriers

S170 - Standard Carrier w/ No Spin Option

SPLINE: 46 INVOLUTE
GEARING: 18.00" RING GEAR DIAMETER
NO SPIN PART NUMBER: 131882
FASTENER KIT: 512897

These new carrier units directly replace tandem rear-rear models R40-170NS & R46-170NS and single axle models S21-170NS, S23-170NS & S26-170NS with no modifications. Model on ID tag may be R46-170NS.

Ratio	New Carrier Exchange	New Carrier Core Free	Old Carrier Part -NLA
3.07	S170N307EX	S170N307CF	683519
3.21	S170N321EX	S170N321CF	683520
3.42	S170N342EX	S170N342CF	683521
3.58	S170N358EX	S170N358CF	683522
3.73	S170N373EX	S170N373CF	683523
3.91	S170N391EX	S170N391CF	683524
4.10	S170N410EX	S170N410CF	683525
4.30	S170N430EX	S170N430CF	683408
4.56	S170N456EX	S170N456CF	683409
4.78	S170N478EX	S170N478CF	683410
5.25	S170N525EX	S170N525CF	683411
5.38	S170N538EX	S170N538CF	683412
5.57	S170N557EX	S170N557CF	683382
6.14	S170N614EX	S170N614CF	683413
6.83	S170N683EX	S170N683CF	683414
7.17	S170N717EX	S170N717CF	683526

D170D - Diff Lock Carrier

SPLINE: 46 INVOLUTE
GEARING: 18.00" RING GEAR DIAMETER
SIDE GEAR PART NUMBER: 300GD101
FASTENER KIT: 512896

These new carrier units will directly replace tandem forward models D40-170D, D46-170D and D50-170D with no modifications.

Ratio	New Carrier Exchange	New Carrier Core Free	Old Carrier Part -NLA
3.07	D170D307EX	D170D307CF	683017
3.21	D170D321EX	D170D321CF	683018
3.42	D170D342EX	D170D342CF	683020
3.58	D170D358EX	D170D358CF	683021
3.73	D170D373EX	D170D373CF	683022
3.91	D170D391EX	D170D391CF	683023
4.10	D170D410EX	D170D410CF	683024
4.30	D170D430EX	D170D430CF	683025
4.56	D170D456EX	D170D456CF	683026
4.78	D170D478EX	D170D478CF	683027
5.25	D170D525EX	D170D525CF	683028
5.38	D170D538EX	D170D538CF	683029
5.57	D170D557EX	D170D557CF	683030
6.14	D170D614EX	D170D614CF	683031
6.83	D170D683EX	D170D683CF	683032
7.17	D170D717EX	D170D717CF	683033

Tandem Drive Axle - Single Reduction Carriers



D170DP - Standard Carrier w/ Pump Option

S170 - Diff Lock Carrier

SPLINE: 46 INVOLUTE
GEARING: 18.00" RING GEAR DIAMETER
SIDE GEAR PART NUMBER: 300GD101
FASTENER KIT: 512896

SPLINE: 46 INVOLUTE
GEARING: 18.00" RING GEAR DIAMETER
SIDE GEAR PART NUMBER: 300GD101

These new carrier units will directly replace tandem forward models D40-170DP, D46-170DP and D50-170DP with no modifications.

Note: Drive Axle Tag may read R46-170D
FASTENER KIT: 512897

Ratio	New Carrier Exchange	New Carrier Core Free	Old Carrier Part -NLA
3.07	D170DP307EX	D170DP307CF	683051
3.21	D170DP321EX	D170DP321CF	683052
3.42	D170DP342EX	D170DP342CF	683054
3.58	D170DP358EX	D170DP358CF	683055
3.73	D170DP373EX	D170DP373CF	683056
3.91	D170DP391EX	D170DP391CF	683057
4.10	D170DP410EX	D170DP410CF	683058
4.30	D170DP430EX	D170DP430CF	683059
4.56	D170DP456EX	D170DP456CF	683060
4.78	D170DP478EX	D170DP478CF	683061
5.25	D170DP525EX	D170DP525CF	683062
5.38	D170DP538EX	D170DP538CF	683063
5.57	D170DP557EX	D170DP557CF	683064
6.14	D170DP614EX	D170DP614CF	683065
6.83	D170DP683EX	D170DP683CF	683066
7.17	D170DP717EX	D170DP717CF	683067

These new carrier units directly replace tandem rear-rear models R40-170D, R46-170D, R50-170D and single axle models S21-170D, S23-170D, S25-170D with no modifications.

Ratio	New Carrier Exchange	New Carrier Core Free	Old Carrier Part -NLA
3.07	S170D307EX	S170D307CF	683198
3.21	S170D321EX	S170D321CF	683199
3.42	S170D342EX	S170D342CF	683201
3.58	S170D358EX	S170D358CF	683202
3.73	S170D373EX	S170D373CF	683203
3.91	S170D391EX	S170D391CF	683204
4.10	S170D410EX	S170D410CF	683205
4.30	S170D430EX	S170D430CF	683206
4.56	S170D456EX	S170D456CF	683207
4.78	S170D478EX	S170D478CF	683208
5.25	S170D525EX	S170D525CF	683209
5.38	S170D538EX	S170D538CF	683257
5.57	S170D557EX	S170D557CF	683258
6.14	S170D614EX	S170D614CF	683259
6.83	S170D683EX	S170D683CF	683260
7.17	S170D717EX	S170D717CF	683261



Tandem Drive Axle - Single Reduction Carriers

D190 - Standard Carrier

SPLINE: 46 INVOLUTE
GEARING: 18.50" RING GEAR DIAMETER
SIDE GEAR PART NUMBER: 300GD101
FASTENER KIT: 512896

These new carrier units will directly replace tandem forward models D46-190, D52-190 and D60-190 with no modifications. See Note 1.

Ratio	New Carrier Exchange	New Carrier Core Free	Old Carrier Part -NLA
3.42	D190342EX	D190342CF	683068
3.58	D190358EX	D190358CF	683069
3.73	D190373EX	D190373CF	683070
3.91	D190391EX	D190391CF	683071
4.10	D190410EX	D190410CF	683072
4.30	D190430EX	D190430CF	683073
4.56	D190456EX	D190456CF	683074
4.78	D190478EX	D190478CF	683075
5.25	D190525EX	D190525CF	683076
5.38	D190538EX	D190538CF	683077
5.57	D190557EX	D190557CF	683078
6.14	D190614EX	D190614CF	683079
6.83	D190683EX	D190683CF	683080
7.17	D190717EX	D190717CF	683081

NOTE 1: Dana D190 Forward models come standard with lube pump. Serial tags for production axles do not carry the traditional "P" designation in the model identifier.

S190 - Standard Carrier

SPLINE: 46 INVOLUTE
GEARING: 18.50" RING GEAR DIAMETER
SIDE GEAR PART NUMBER: 300GD101
FASTENER KIT: 512897

Note: Drive Axle Tag may read R46-190.

These new carrier units will directly replace tandem rear rear models R46-190, R52-190 & R60-190 and single axle models S23-190, S26-190 & S30-190 with no modifications.

Ratio	New Carrier Exchange	New Carrier Core Free	Old Carrier Part -NLA
2.53	S190253EX	S190253CF	683288
2.69	S190269EX	S190269CF	683210
2.87	S190287EX	S190287CF	683211
2.93	S190293EX	S190293CF	683212
3.07	S190307EX	S190307CF	683213
3.21	S190321EX	S190321CF	683214
3.42	S190342EX	S190342CF	683216
3.58	S190358EX	S190358CF	683217
3.73	S190373EX	S190373CF	683218
3.91	S190391EX	S190391CF	683219
4.10	S190410EX	S190410CF	683220
4.30	S190430EX	S190430CF	683221
4.56	S190456EX	S190456CF	683222
4.78	S190478EX	S190478CF	683223
5.25	S190525EX	S190525CF	683224
5.38	S190538EX	S190538CF	683225
5.57	S190557EX	S190557CF	683226
6.14	S190614EX	S190614CF	683227
6.83	S190683EX	S190683CF	683228
7.17	S190717EX	S190717CF	683229
7.83	S190783EX	S190783CF	683230

Tandem Drive Axle - Single Reduction Carriers



S190 - Standard Carrier w/ No Spin Option

SPLINE: 46 INVOLUTE
GEARING: 18.50" RING GEAR DIAMETER
NO SPIN DIFF PART NUMBER: 131882
FASTENER KIT: 512897

Note: Drive Axle Tag may read R46-190NS.

These new carrier units will directly replace tandem rear rear models S23-190NS and S26-190NS with no modifications.

Ratio	New Carrier Exchange	New Carrier Core Free	Old Carrier Part -NLA
2.69	S190N269EX	S190N269CF	683527
2.87	S190N287EX	S190N287CF	683528
2.93	S190N293EX	S190N293CF	683529
3.07	S190N307EX	S190N307CF	683530
3.21	S190N321EX	S190N321CF	683531
3.42	S190N342EX	S190N342CF	683532
3.58	S190N358EX	S190N358CF	683533
3.73	S190N373EX	S190N373CF	683534
3.91	S190N391EX	S190N391CF	683535
4.10	S190N410EX	S190N410CF	683536
4.30	S190N430EX	S190N430CF	683537
4.56	S190N456EX	S190N456CF	683538
4.78	S190N478EX	S190N478CF	683539
5.25	S190N525EX	S190N525CF	683540
5.38	S190N538EX	S190N538CF	683415
5.57	S190N557EX	S190N557CF	683416
6.14	S190N614EX	S190N614CF	683417
6.83	S190N683EX	S190N683CF	683418
7.17	S190N717EX	S190N717CF	683541
7.83	S190N783EX	S190N783CF	683542

S190 - Diff Lock Carrier

SPLINE: 46 INVOLUTE
GEARING: 18.50" RING GEAR DIAMETER
SIDE GEAR PART NUMBER: 300GD101
FASTENER KIT: 512896

These new carrier units will directly replace tandem forward models D52-190D, D60-190D with no modifications. See Note 1.

Ratio	New Carrier Exchange	New Carrier Core Free	Old Carrier Part -NLA
3.42	D190D342EX	D190D342CF	683082
3.58	D190D358EX	D190D358CF	683083
3.73	D190D373EX	D190D373CF	683084
3.91	D190D391EX	D190D391CF	683085
4.10	D190D410EX	D190D410CF	683086
4.30	D190D430EX	D190D430CF	683087
4.56	D190D456EX	D190D456CF	683088
4.78	D190D478EX	D190D478CF	683089
5.25	D190D525EX	D190D525CF	683090
5.38	D190D538EX	D190D538CF	683091
5.57	D190D557EX	D190D557CF	683092
6.14	D190D614EX	D190D614CF	683093
6.83	D190D683EX	D190D683CF	683094
7.17	D190D717EX	D190D717CF	683095
6.83	S170D683EX	S170D683CF	683260
7.17	S170D717EX	S170D717CF	683261

Note 1: Dana D190D Forward models with diff-lock come standard with lube pump. Serial tags for production axles do not carry the traditional "P" designation in the model identifier.



Tandem Drive Axle - Single Reduction Carriers

S190D - Diff Lock Carrier

SPLINE: 46 INVOLUTE
GEARING: 18.50" RING GEAR DIAMETER
SIDE GEAR PART NUMBER: 300GD101
FASTENER KIT: 512897

Note: Drive Axle Tag may read R46-190D

These new carrier units will directly replace tandem rear-rear models R46-190D, R52-190D, R60-190D and single axle models S23-190D, S26-190D, and S30-190D with no modifications.

Ratio	New Carrier Exchange	New Carrier Core Free	Old Carrier Part -NLA
2.53	S190D253EX	S190D253CF	683478
2.69	S190D269EX	S190D269CF	683231
2.87	S190D287EX	S190D287CF	683232
2.93	S190D293EX	S190D293CF	683233
3.07	S190D307EX	S190D307CF	683234
3.21	S190D321EX	S190D321CF	683235
3.42	S190D342EX	S190D342CF	683237
3.58	S190D358EX	S190D358CF	683238
3.73	S190D373EX	S190D373CF	683239
3.91	S190D391EX	S190D391CF	683240
4.10	S190D410EX	S190D410CF	683241
4.30	S190D430EX	S190D430CF	683242
4.56	S190D456EX	S190D456CF	683243
4.78	S190D478EX	S190D478CF	683244
5.25	S190D525EX	S190D525CF	683245
5.38	S190D538EX	S190D538CF	683246
5.57	S190D557EX	S190D557CF	683247
6.14	S190D614EX	S190D614CF	683248
6.83	S190D683EX	S190D683CF	683249
7.17	S190D717EX	S190D717CF	683250
7.83	S190D783EX	S190D783CF	683251

Tandem Drive Axle Double Reduction Carriers



D590 - Double Reduction Carrier

SPLINE: 46 INVOLUTE
GEARING: 18.50" RING GEAR DIAMETER
SIDE GEAR PART NUMBER: 300GD101
FASTENER KIT: N/A

These new carrier units will directly replace forward models D46-590, D52-590, D60-590, D70-590 with no modifications.

Ratio	New Carrier Exchange	New Carrier Core Free	Old Carrier Part -NLA
4.75	D590475EX	D590475CF	683096
4.99	D590499EX	D590499CF	683097
5.19	D590519EX	D590519CF	683098
5.44	D590544EX	D590544CF	683099
5.70	D590570EX	D590570CF	683100
5.98	D590598EX	D590598CF	683101
6.34	D590634EX	D590634CF	683102
6.65	D590665EX	D590665CF	683103
7.30	D590730EX	D590730CF	683104
7.48	D590748EX	D590748CF	683105
7.75	D590775EX	D590775CF	683106
8.55	D590855EX	D590855CF	683107
9.51	D590951EX	D590951CF	683108
9.97	D590997EX	D590997CF	683109
10.90	D5901090EX	D5901090CF	683419

R590 - Double Reduction Carrier

SPLINE: 46 INVOLUTE
GEARING: 18.50" RING GEAR DIAMETER
SIDE GEAR PART NUMBER: 300GD101
FASTENER KIT: N/A

These new carrier units will directly replace rear-rear tandem models R46-590, R52-590, R60-590, R70-590 and single axle models S23-590, S26-590, S30-590, S35-590 with no modifications.

Ratio	New Carrier Exchange	New Carrier Core Free	Old Carrier Part -NLA
4.75	S590475EX	S590475CF	683152
4.99	S590499EX	S590499CF	683153
5.19	S590519EX	S590519CF	683154
5.44	S590544EX	S590544CF	683155
5.70	S590570EX	S590570CF	683156
5.98	S590598EX	S590598CF	683157
6.34	S590634EX	S590634CF	683158
6.65	S590665EX	S590665CF	683159
7.30	S590730EX	S590730CF	683160
7.48	S590748EX	S590748CF	683161
7.75	S590775EX	S590775CF	683162
8.55	S590855EX	S590855CF	683163
9.51	S590951EX	S590951CF	683164
9.97	S590997EX	S590997CF	683165
10.90	S5901090EX	S5901090CF	683276



Tandem Drive Axle Double Reduction Carriers

D590D - Double Reduction with Diff Lock Carrier

SPLINE: 46 INVOLUTE
GEARING: 18.50" RING GEAR DIAMETER
SIDE GEAR PART NUMBER: 300GD101
FASTENER KIT: N/A

These new carrier units will directly replace forward models D52-590D, D60-590D and D70-590D with no modifications.

Ratio	New Carrier Exchange	New Carrier Core Free	Old Carrier Part -NLA
4.75	D590D475EX	D590D475CF	683110
4.99	D590D499EX	D590D499CF	683111
5.19	D590D519EX	D590D519CF	683112
5.44	D590D544EX	D590D544CF	683113
5.70	D590D570EX	D590D570CF	683114
5.98	D590D598EX	D590D598CF	683115
6.34	D590D634EX	D590D634CF	683116
6.65	D590D665EX	D590D665CF	683117
7.30	D590D730EX	D590D730CF	683118
7.48	D590D748EX	D590D748CF	683119
7.75	D590D775EX	D590D775CF	683120
8.55	D590D855EX	D590D855CF	683121
9.51	D590D951EX	D590D951CF	683122
9.97	D590D997EX	D590D997CF	683123
10.90	D590D1090EX	D590D1090CF	683608

R590D - Double Reduction with Diff Lock Carrier

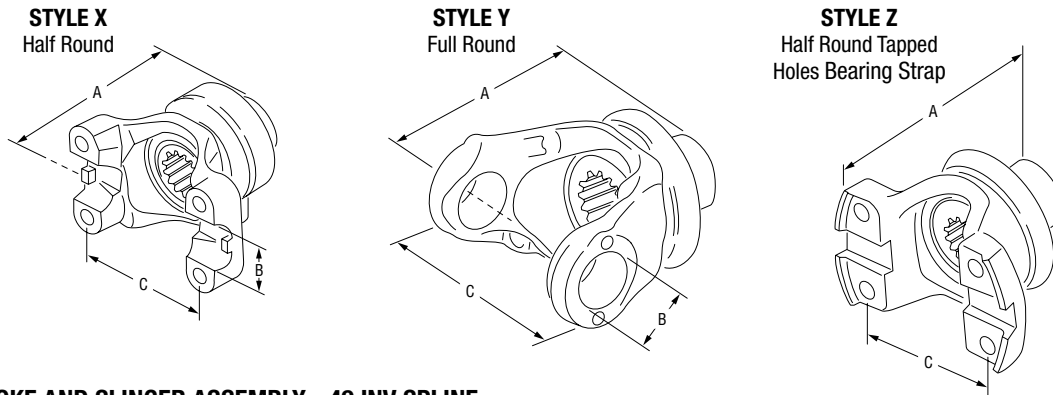
SPLINE: 46 INVOLUTE
GEARING: 18.50" RING GEAR DIAMETER
SIDE GEAR PART NUMBER: 300GD101
FASTENER KIT: N/A

These new carrier units will directly replace rear-rear tandem models R52-590D, R60-590D, R70-590D and single axle models S23-590D, S26-590D, S30-590D and S35-590D with no modifications.

Ratio	New Carrier Exchange	New Carrier Core Free	Old Carrier Part -NLA
4.75	S590D475EX	S590D475CF	683166
4.99	S590D499EX	S590D499CF	683167
5.19	S590D519EX	S590D519CF	683168
5.44	S590D544EX	S590D544CF	683169
5.70	S590D570EX	S590D570CF	683564
5.98	S590D598EX	S590D598C	683621
6.34	S590D634EX	S590D634CF	683391
6.65	S590D665EX	S590D665CF	683393
7.30	S590D730EX	S590D730CF	683565
7.48	S590D748EX	S590D748CF	683566
7.75	S590D775EX	S590D775CF	683567
8.55	S590D855EX	S590D855CF	683392
9.51	S590D951EX	S590D951CF	683568
9.97	S590D997EX	S590D997CF	683569
10.90	S590D1090EX	S590D1090CF	683277

Yokes & Flanges

To replace the driveline yoke on any of the Dana D170/190, R170/190 or S190 series choose from the chart below. Each Yoke Replacement kit below includes a new pinion nut along with very important installation instructions and torque figures.



INPUT YOKE AND SLINGER ASSEMBLY - 49 INV SPLINE

Driveshaft Part No.	Pinion Nut	Series	Joint Angle	Type	Production Reference Numbers
131447K *	131095	1810	30°	Half Rd.	6.5-4-5101-1
131448K *	131095	1810	30°	Full Rd.	6.5-4-5101
131446K *	131095	SPL250	25°	Half Rd.	250-4-1031-1
131520K	131095	1760	30°	Half Rd.	5005582
131530K	131095	1710	30°	Full Rd.	5008438
131519K	131095	1710	30°	Half Rd.	5008439
132863K	131095	SPL170	26.5°	Half Rd.	5008444, 5005217
132931K	131095	SPL170	42°	Half Rd.	5008461

OUTPUT YOKE AND SLINGER ASSEMBLY - 41 INV SPLINE

Driveshaft Part No.	Pinion Nut	Series	Joint Angle	Type	Production Reference Numbers
131449K *	128049	1710	38°	Full Rd.	6-4-10301
131450K *	128049	1710	39°	Full Rd.	6-4-10301-1
131451K *	128049	SPL170	45°	Half Rd.	170-4-1901-1

REAR PINION YOKE AND SLINGER ASSEMBLY - 49 INV SPLINE

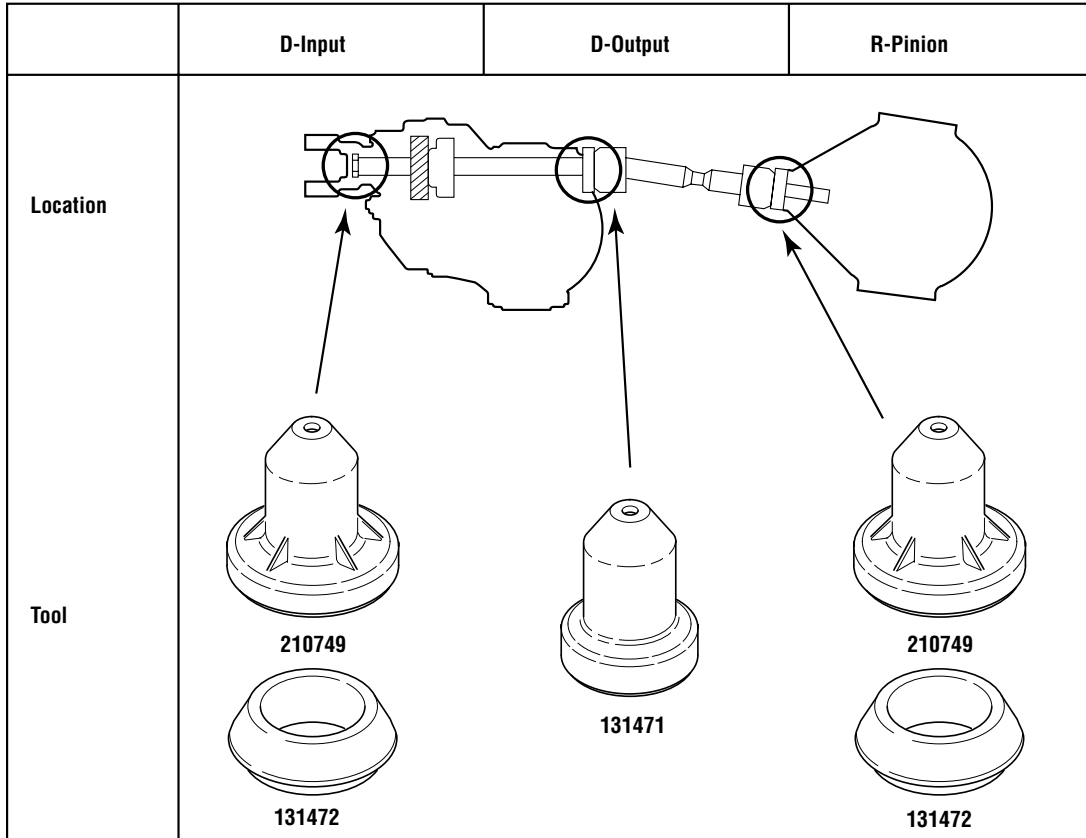
Driveshaft Part No.	Pinion Nut	Series	Joint Angle	Type	Production Reference Numbers
131442K *	131095	1710	30°	Full Rd.	6-4-10291
131439K	131095	1710	45°	Full Rd.	6-4-10311
131437K *	131095	1710	30°	Half Rd.	6-4-10291-1
131438K *	131095	1710	45°	Half Rd.	6-4-10311-1
131441K	131095	1760	30°	Full Rd.	6-3-4-1861
131440K	131095	1760	30°	Half Rd.	6-3-4-1861-1
131444K	131095	1810	30°	Full Rd.	6-5-4-5091
131443K	131095	1810 3	0°	Half Rd.	6-5-4-5091-1
131436K	131095	Comp Flange	-----	Comp Flange	6-1-6281
131433K *	131095	SPL170	25°	Half Rd.	170-4-1891-1
131434K *	131095	SPL170	45°	Half Rd.	170-4-1911-1
131435K	131095	SPL250	25°	Half Rd.	250-4-1021-1

* Most popular - Spicer recommends keeping these in stock

Service Kits

**PINION SEAL DRIVER KIT
 PART NUMBER 513349-1**

Kit includes: 131471, 10095470, 210749



Service Kits - Quick Reference List - Models made ON or AFTER June 10, 2013

(Listed by "Part Description" alpha order)

Note* - Parts & Kits Identified with a * asterisk are used to service both "BEFORE & AFTER" design models.

Dana Part No.	Description	*Note	Model Information
512892	Air Lockout Repair Kit	x	All D170, 190 Models
512893	Air Lockout Repair Kit - Complete w/ Fork	x	Only D170 Models
504061	Axle Housing Cover & Brg Pts Kit	x	All D190 Models (has cover 134324 inside)
514322	Axle Housing Cover Kit	x	All S190 Models (has cover 302704 inside)
504025	Axle Housing Cover Kit	x	All S590 Models (has cover 302622 inside)
512896	Axle Hsg Hardware Kit - Forward Axle (carrier to hsg)	x	All D170, 190 Models
512897	Axle Hsg Hardware Kit - Rear Axle (carrier to hsg)	x	All R170/R190, S170, S190
513351	Axle Hsg Fastener Kit - (for D-Hsg bolt on covers)	x	All D190, S190, D/R590, S590 Models
504380	Bearing Kit - D170S, S170E		All Ratios ref. HAXL-PN1-084
504381	Bearing Kit - D170D, S170DE		All Ratios ref. HAXL-PN1-084
504382	Bearing Kit - D190S, D190D, D590, D590D, S590, S590D, S190E, S190DE		All Ratios ref. HAXL-PN1-084
504383	Bearing Kit - R170S, S170S		Ratios 2.69-3.91 ref. HAXL-PN1-084
504384	Bearing Kit - R170S, S170S		Ratios 4.10-7.17 ref. HAXL-PN1-084
504385	Bearing Kit - R170D, S170D		Ratios 2.69-3.91 ref. HAXL-PN1-084
504386	Bearing Kit - R170D, S170D		Ratios 4.10-7.17 ref. HAXL-PN1-084
504385	Bearing Kit - R190S, R190D, S190S, S190D		Ratios 2.53-4.78 ref. HAXL-PN1-084
504387	Bearing Kit - R190S, R190D, S190S, S190D		Ratios 5.25-7.83 ref. HAXL-PN1-084
10035415	Carrier Sub-Assy		R170, S170 ref. HAXL-PN1-084
10035416	Carrier Sub-Assy		R170D, S170D Diff Lock Design ref. HAXL-PN1-084
10035419	Carrier Sub-Assy		R190, R190D, S190, S190D Diff Lock Design ref. HAXL-PN1-084
10035420	Carrier Sub-Assy		D170, S170E ref. HAXL-PN1-084
10035421	Carrier Sub-Assy		D170D Diff Lock Design ref. HAXL-PN1-084
10035422	Carrier Sub-Assy		All D190, 590 and S190E, S190DE ref. HAXL-PN1-084
10035423	Carrier Sub-Assy		S170R Retarder Ready ref. HAXL-PN1-084
10035424	Carrier Sub-Assy		S190R Retarder Ready ref. HAXL-PN1-084
504097	Diff Lock Conversion Parts Kit		All Diff Lock Models
504095	Diff Lock Shift Fork & Pin Kit (fork# 140008)		All Diff Lock Models
512895	Diff Lock Shift Parts Repair Kit	x	All Diff Lock Models
140024	Diff Lock Sliding Clutch		All Diff Lock Models
10011380	Helical Gear & Bushing Assy	x	All D170, 190 Models ref. HAXL-PN1-096R2
10010716	Helical Gear - Pinion	x	All D170, 190 Models ref. HAXL-PN1-096R2
10094015	IAD Assembly	x	All Models ref. HAXL-PN1-096R2
504189	Input Cover & Adjuster Kit - D170	x	All D170 Models ref. HAXL-PN1-086
504188	Input Cover & Adjuster Kit - D190	x	Only D190 Models ref. HAXL-PN1-086

Service Kits - Quick Reference List - Models Made ON or AFTER Dec. 21, 2016

Note* - Parts & Kits Identified with a * asterisk are used to service both "BEFORE & AFTER" design models.

Dana Part No.	Description	*Note	Model Information
513839	Input Shaft Kit - Non Pump Models	x	Only D170 Non-Pump Models
513840	Input Shaft Kit - Pump Models	x	All D170P and All D190 Models
131340	Input Shaft & Helical Gear	x	All S170E and S190E, S190DE High Entry Models
504364-1	Lube Pump & Output Side Gear Kit	x	All D170P and D190 Pump Models ref. HAXL-PN1-098
513880	Manifold Parts Kit - Non Pump Models	x	Only D170 Non-Pump Models
513878	Manifold Parts Kit - Pump Models	x	All D170P and All D190 Pump Models
131882	No Spin Diff Assy 46 Inv	x	All Approved D/R170, D/R190 Models
504060	Output Shaft Brg Kit	x	All D170, 190 Models
512894	Output Shaft Kit (shaft# 131536)	x	All D170, 190 Models
131095K	Pinion Nut Kit	x	Only D-Input & Rear-Pinion Models
504041	Pinion Bearing Spacer Kit	x	All D170, D190 and D/R590
504042	Pinion Bearing Spacer Kit	x	All R170, R190, S170, S190
504069	Ring Gear Bolt Kit	x	All Models
131008K	Seal & Nut Kit	x	Only D-Input & Rear-Pinion Models (contains 10032666 seal)
10032666	Seal - Oil	x	Input Location
210737	Seal - Oil	x	Output Location
10032666	Seal - Oil	x	R-Pinion
510870	Shift Fork & Spring Kit - IAD	x	All D170 Models
514142	Shift Fork & Spring Kit - IAD	x	All D190 Models
513349-1	Tool - Pinion Seal Driver Tool Kit	x	All Models
507162	U-Tube Breather Kit	x	All Models
504134	Wheel Diff Case Kit (139996/140004)		Refer to specific model and ratio in charts
504135	Wheel Diff Case Kit (139997/140003)		Refer to specific model and ratio in charts
504136	Wheel Diff Case Kit (139998/140002)		Refer to specific model and ratio in charts
504137	Wheel Diff Case Kit (139996/140003)		Refer to specific model and ratio in charts
504138	Wheel Diff Case Kit (139997/140002)		Refer to specific model and ratio in charts
504139	Wheel Diff Case Kit (139997/139999)		Refer to specific model and ratio in charts
504140	Wheel Diff Case Kit (139997/140000)		Refer to specific model and ratio in charts
504141	Wheel Diff Case Kit (139998/139999)		Refer to specific model and ratio in charts
504142	Wheel Diff Case Kit (139996/140001)		Refer to specific model and ratio in charts
504143	Wheel Diff Case Kit (139996/140000)		Refer to specific model and ratio in charts
504148	Wheel Diff Case Kit (139998/140025)		Refer to specific model and ratio in charts
504435	Wheel Diff Case Kit (???????????????)		Refer to specific model and ratio in charts
504096	Wheel Diff Side Gear Kit w/ Washers - 46 Inv		All Models Built After June 10th, 2013
300GD101	Wheel Diff Side Gears 46 Inv	x	All Models
HS108-1	Wheel Diff Side Gear Thrust Washers		All Models Built After June 10th, 2013
300HS100-1	Wheel Diff Side Pinion Thrust Washers		All Models Built After June 10th, 2013

UPGRADES THAT WON'T LET YOU DOWN.™

I need my vehicle to be as reliable as I am.

For the Lifespan of Your Vehicle, Trust Dana Aftermarket.™

At Dana, we know that your customer's vehicles are more than just a means of transport; they help support what's most important to them. So to keep your business successful, you need to carry the parts that help clients avoid unnecessary downtime. That's why Dana engineers our OE-quality driveline components and sealing solutions for high-mileage vehicles with dependable performance and quality. For more information, visit [SpicerParts.com/CV-Upgrade](https://www.SpicerParts.com/CV-Upgrade).



Aftermarket

SpicerParts.com or for our e-catalog, DanaAftermarket.com
#DanaAftermarket

Product Information: [SpicerParts.com](https://www.SpicerParts.com) | E-Catalog and parts locator: [DanaAftermarket.com](https://www.DanaAftermarket.com)

Dana Aftermarket Group

PO Box 1000 Maumee, Ohio 43537

Warehouse Distributors: 1.800.621.8084

OE Dealers: 1.877.777.5360

Follow SpicerParts [f](#) [t](#) [@](#) [v](#) [in](#)

© 2020 Dana Limited. All rights reserved. AXIP-0057B-52020

SPICER[®]

