



## Illustrated Parts List

---

**AXIP-0057A - Models Designed ON or  
AFTER June 10, 2013**

**November 2013**

D170, D170D, R170, R170D - Single Reduction - Tandem Axles

D190, D190D, R190, R190D - Single Reduction - Tandem Axles

S170, S170D, S190, S190D - Single Reduction - Tandem Axles

S170E, S190E, S190DE - High Entry - Single Axles

D590, D590D, R590, R590D, S590, S590D - Double Reduction Axles

**IMPORTANT: Dana made changes to the carriers designed  
AFTER June 10, 2013. Only models made ON or AFTER this date  
are shown in this IPL. For models BEFORE June 10, 2013, see  
AXIP-0057.**



**Table of Contents**

How To Use Illustrated Parts List .....2

Model Identification..... 3-4

Model Information - Model Line-up - Models Made On or After June 10, 2013.....5

    Single Reduction ..... 5

    Double Reduction..... 5

    Tridems ..... 5

    High Entry ..... 5

FORWARD AXLES .....

Forward Single Reduction Models - D170, D170D, D190, D190D - Carrier Exploded View..... 6

Forward Single Reduction Models - D170, D170D, D190, D190D - Power Divider - Exploded View ..... 7

Forward Single Reduction Models - D170, D170D, D190, D190D - Parts List..... 8-10

Double Reduction Models - D590, D590D - Carrier Exploded View..... 11

Double Reduction Models - D590, D590D - Power Divider - Exploded View ..... 12

Double Reduction Models - D590, D590D - Parts List..... 13-14

Double Reduction Models - S590, R590 / S590D, R590D - Carrier Exploded View ..... 15

Double Reduction Models - S590, R590 / S590D, R590D - Power Divider - Exploded View ..... 16

Double Reduction Models - S590, R590 / S590D, R590D - Parts List ..... 17-18

High Entry Single Models - S170E, S190E, S190DE - Forward Carrier Exploded View..... 19

High Entry Single Models - S170E, S190E, S190DE - Forward Carrier Power Divider - Exploded View ..... 20

High Entry Single Models - S170E, S190E, S190DE - Parts List..... 21-22

REAR-REAR & SINGLE AXLES .....

Rear-Rear Single Reduction Models - R170, R170D, R190, R190D, S170, S170D, S190, S190D - ..... 23

    Carrier Exploded View..... 23

Rear-Rear Single Reduction Models - R170, R170D, R190, R190D, S170, S170D, S190, S190D - Parts List .. 24-25

Gear and Pinion Kits..... 26-27

Bearing Kits..... 28

Pinion Bearing Selective Spacers & Spacer Kits..... 29

Wheel Differential Case Kits - All Models..... 30-33

Wheel Differential Lock Shift Parts - Exploded View & Parts List ..... 34

Axle Housing and Output Shaft Assembly - Exploded View..... 35

Axle Housing and Output Shaft Assembly - Parts List..... 36

    Summary of Axle Housing Related Service Kits..... 37

Axle Housing Hardware Kits & Axle Housing Cover Kits ..... 37-38

Axle Housings - Most Popular Bare Axle Housing Chart ..... 39

    Axle Housings - All D170..... 39-41

    Axle Housings - All R170, S170..... 42

Axle Shafts ..... 43-44

Service Carriers..... 45-54

Yokes & Flanges..... 55

Pinion Seal Driver Tool Kit ..... 56

Service Kits - Quick Reference List..... 57-58

## General Information

### How To Use Illustrated Parts List

#### Ordering Parts

- This parts book is organized in sections according to parts servicing requirements. Use the Contents or page headings and colored tabs to find information.
- Use this book to order parts for your Dana® Spicer® Axle.
- For convenience, part numbers have been included for all pieces of the carrier assembly. Some of these parts, such as the carrier and caps, are serviced only in kits or assemblies. Part numbers are for your reference only. Those parts not serviced separately are identified with NSS.

#### Kits and Assemblies

- Kits and Assemblies contain groups of individual or assembled parts developed for optimal replacement or repair of a service problem.
- Kits and Assemblies are shown with applicable parts groupings in the parts listing.
- See the Appendix for detailed information concerning kits applicable to this model.

#### Abbreviations

- AR - As Required - Parts that vary in quantity with each axle. Example: shims
- NSS - Not Serviced Separately - Items which can only be purchased in sets, kit form or service assemblies. Example: brake shoes.
- RH/LH - Right Hand/Left Hand - Determined as viewed from behind the vehicle looking forward.
- "RTV" - Gasket Compound - Formed-in-place gasket sealer. It is recommended for use on all surfaces requiring a gasket.
- Assy - Assembly
- Brg - Bearing
- Diff - Differential
- Hsg - Housing
- Inv - Involute
- ABS - Antilock Brake System
- N/A - Not Applicable
- Str - Straight

#### Illustrations

- Illustrations show parts in assembly groups.
- Item numbers on illustrations correspond with parts listings on pages that accompany the drawings.
- Notes are included on illustrations where needed.

#### Parts Listings

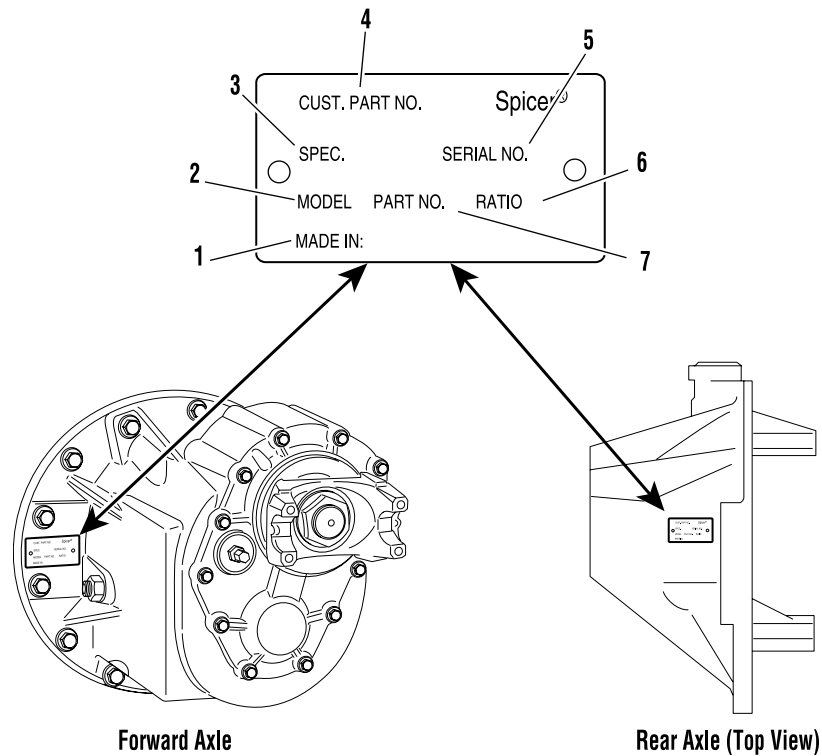
- Parts listings are defined by parts groupings and are broken down by service assemblies.
- Parts Listings identify a part for servicing with the following categories:
  - Item - corresponds with numbers on illustrations for part identification
  - Part Name - specifies part name or description
  - Quantity (Qty) - quantity required for assembly
  - Current Part - service part numbers are broken down by model, type or other applicable information
  - Notes - define unique characteristics or replacement notes
  - Kits / Assy's Where Used - indicates Kits or Assemblies that contain a particular part
- ***Other pertinent information is listed in tables or parts listings as required.***

## Model Identification

### Locating Model Designation Information

- Axle Model Identification, Part Number and Serial Number are located on a tag at the axle centerline. This information will help to locate information in this book and to identify the correct parts for servicing.

### Drive Axles



**1 - Country or origin**

**2 - Axle model identification**

**3 - Specification number assigned to the axle built by Spicer. Identifies all component parts of the axle including special OEM requirements such as yokes or flanges.**

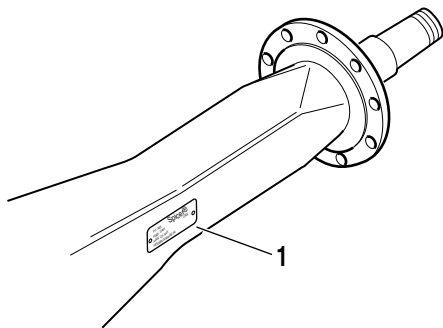
**4 - OEM part number assigned to the axle build**

**5 - Carrier assembly serial number assigned by the manufacturing plant**

**6 - Axle gear ratio**

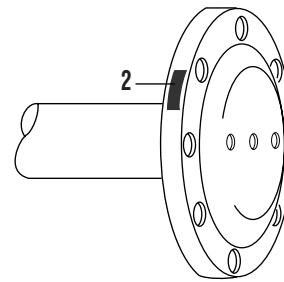
**7 - Carrier assembly production or service part number**

### Axle Housing



1 - ID Tag

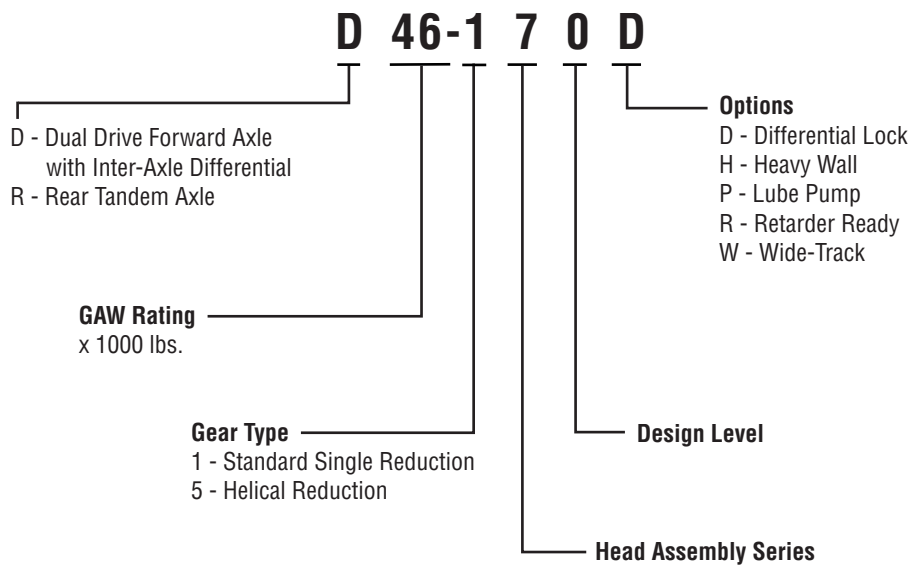
### Axle Shaft



2 - Axle shaft part number

### Using Model Designation to Identify Axle Components

The Axle Model Identification number contains information that is important to understand when purchasing service parts or new components. The Model Identification number provides important vehicle, capacity and application information and model features. Use this guideline to understand your Axle Model Identification. If you need assistance, contact your Dana Aftermarket representative.



### Effectively using a Parts Listing - Example

- Follow the example below to locate and order exactly what is required for servicing.

Match to items on illustration	Use to identify Part	Order this quantity for servicing	Order Part Number		Indicated information important to ordering or use
Item	Part Name	Qty	D170	D190(P)	Notes
1	Axle Shaft	2	xxxxxx	xxxxxx	See Axle Shaft Chart
2	Flat Washer	4	xxxxxx	xxxxxx	

#### Kits and Assemblies

Item	Part Name	Qty	D170	D190(P)	Notes
Bearing Kits		1	xxxxxx	xxxxxx	Contents Identified with *

## Model Information - Models made On or AFTER June 10, 2013

The following models are included in this publication:

### Single Reduction Models

Forward Axle	Rear Axle	Axle Capacity	Gear Size
D40-170	R40-170	40,000 lbs.	17.7" Hypoid Gear
D40-170P	R40-170	40,000 lbs.	17.7" Hypoid Gear
D40-170DP	R40-170	40,000 lbs.	17.7" Hypoid Gear
D46-170	R46-170	46,000 lbs.	17.7" Hypoid Gear
D46-170P	R46-170	46,000 lbs.	17.7" Hypoid Gear
D46-170DP	R46-170	46,000 lbs.	17.7" Hypoid Gear
D52-190P	R52-190	52,000 lbs.	18.5" Hypoid Gear
D52-190DP	R52-190	52,000 lbs.	18.5" Hypoid Gear
D60-190P	R60-190	60,000 lbs.	18.5" Hypoid Gear

### Double Reduction Models

Forward Axle	Rear Axle	Axle Capacity	Gear Size
D46-590P	R46-590	46,000 lbs.	18.5" Hypoid Gear
D52-590P	R52-590	52,000 lbs.	18.5" Hypoid Gear
D60-590P	R60-590	60,000 lbs.	18.5" Hypoid Gear
D70-590P	R70-590	70,000 lbs.	18.5" Hypoid Gear

### Tridem Models

Forward Axle	Forward Axle	Rear Axle	Axle Capacity	Gear Size
T69-170HP	T69-170HP	R69-170H	69,000 lbs.	17.7" Hypoid Gear
T78-190P	T78-190P	R78-190	78,000 lbs.	18.5" Hypoid Gear
T78-590P	T78-590P	R78-590	78,000 lbs.	18.5" Hypoid Gear

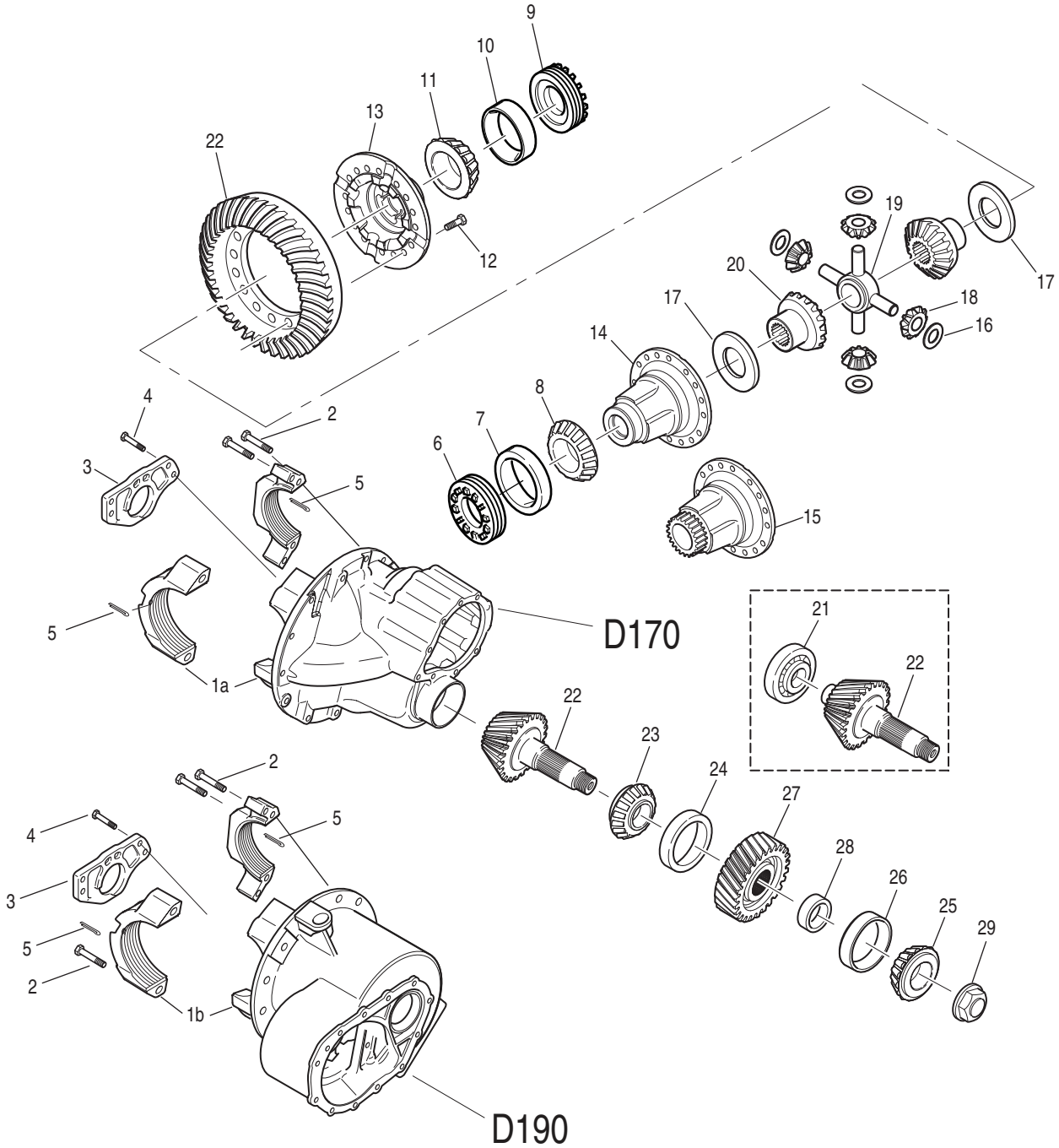
\*Tridem model configuration consist of 3 axles; Two Forward Carriers and a Rear-Rear Carrier. Example would be: (D170>D170>R170) (D190>D190>R190) or (D590>D590>R590).

### High Entry Single Axle Models

Single Axle	Axle Capacity	Gear Size
S21-170E	21,000 lbs.	17.7" Hypoid Gear
S23-170E	23,000 lbs.	17.7" Hypoid Gear
S25-170E	25,000 lbs.	17.7" Hypoid Gear
S23-190E	23,000 lbs.	18.5" Hypoid Gear
S26-190E	26,000 lbs.	18.5" Hypoid Gear
S30-190E	30,000 lbs.	18.5" Hypoid Gear

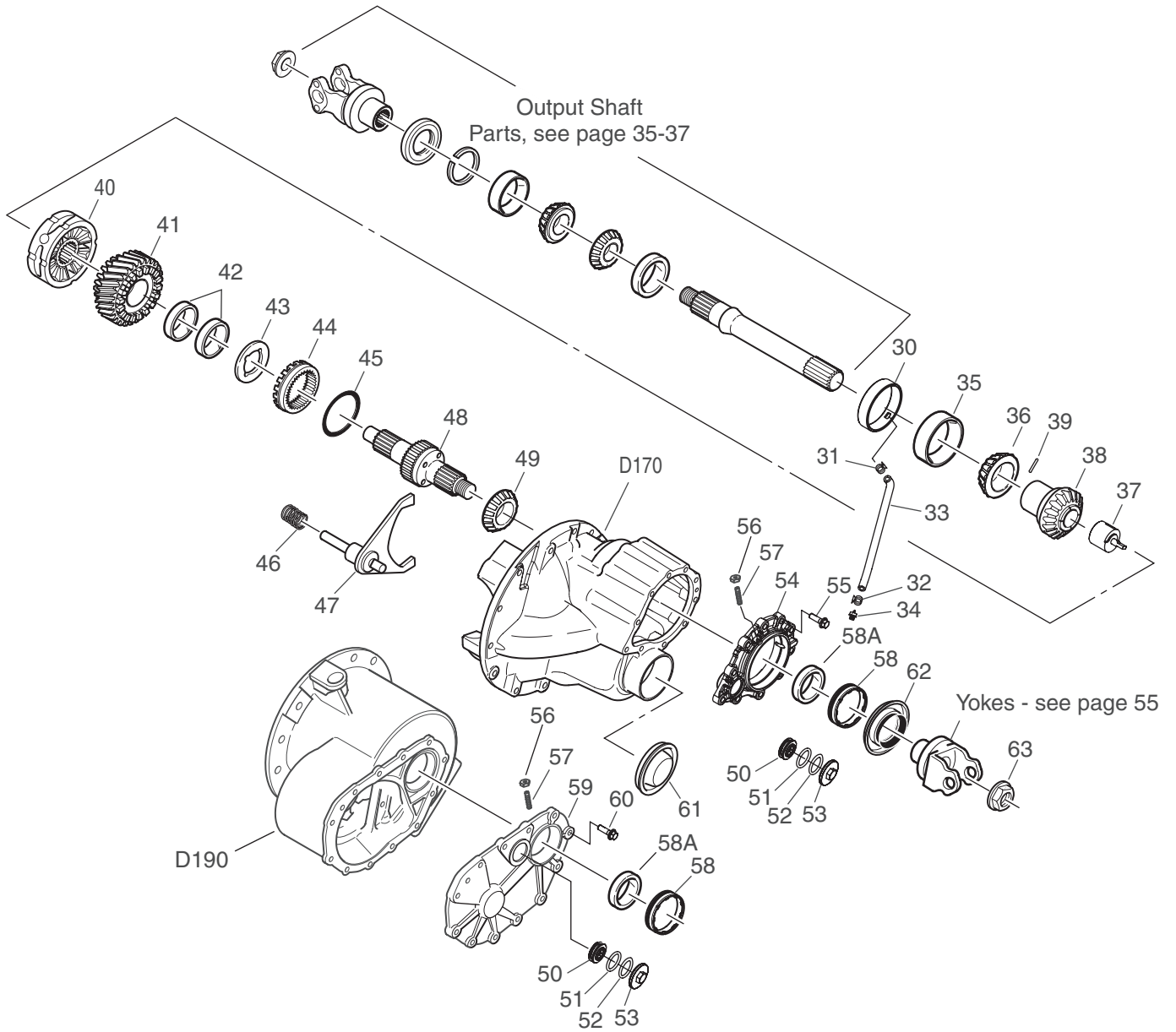
The suffix letter "P" in the model number indicates lube pump. The pump is designed to provide additional lubrication to the inter-axle differential and related parts. The "190" and "590" models come standard with pumps and the suffix letter "P" may not be referenced in all model callouts.

D170 / D190 Forward Axle - Parts Exploded View  
Models Made ON or AFTER June 10, 2013






### D170 / D190 Forward Axle Power Divider - Parts Exploded View



## D170 / D190 Forward Axle - Parts List

### Models Made ON or AFTER June 10, 2013

Item	Description	Qty Per Axle	D170 D170D	D190 D190D	Notes
BEARING KIT		1	504126	504128	
	Contents identified with *	1	504127	-----	D170D Diff Lock Models Only
1a	Carrier Sub-Assy	1	132483	-----	D170 models
1a	Carrier Sub-Assy	1	132484	-----	D170D Diff Lock models - refer to chart Pg 10
1b	Carrier Sub-Assy	1	-----	132485	All D190, D190D models - refer to chart Pg 10
2	Capscrew - Bearing Cap	6	131016	131016	
3	Pilot Bearing Web Support	1	N/A	N/A	Not a serviceable part - order item 1
4	Capscrew - Pilot Bearing Web	4	N/A	131017	
5	Cotter Pin	2	090311	090311	
6	Bearing Adjuster - Plain Half	1	139993	139993	
7	Bearing Cup - Plain Half Diff	1	140012*	140020*	Standard model
		1	140020*	140020*	Diff Lock model
8	Bearing Cone - Plain Half Diff	1	140014*	140019*	Standard model
		1	140019*	140019*	Diff Lock model
9	Bearing Adjuster - Flange Half	1	139992	139992	
10	Bearing Cup - Diff Flange Half	1	140012*	140012*	
11	Bearing Cone - Diff Flange Half	1	140014*	140014*	
KIT - RING GEAR BOLT		1	504069	504069	Includes qty 16 of 131473
12	Bolt - Ring Gear	16	131473	131473	
13	Diff Case - Flange Half	1	See Diff Case Kits Pg 30-33	All models	
14	Diff Case - Plain Half	1	See Diff Case Kits Pg 30-33	Standard models	
15	Diff Case - Plain Half - Diff Lock	1	See Diff Case Kits Pg 30-33	Diff Lock models	
KIT - WHEEL DIFF SIDE GEAR w/WASHERS			504096	504096	Includes items 16-20
16	Thrust Washer - Side Pinion	4	300HS100-1	300HS100-1	
17	Thrust Washer - Side Gear	2	HS108-1	HS108-1	
18	Side Pinion	4	131040	131040	
19	Spider - Differential	1	131039	131039	
20	Side Gear - Differential	2	300GD101	300GD101	46 Involute
NO SPIN ASSEMBLY - 46 Inv		1	131882	-----	Item not illustrated
21	Bearing - Pinion Pilot	1	-----	129947*	
22	Ring Gear and Pinion - NSS		See Ring & Pinion Kits Page 26-27		
23	Bearing Cone - Inner Pinion	1	139968*	139968*	
24	Bearing Cup - Inner Pinion	1	139969*	139969*	
25	Bearing Cone - Outer Pinion	1	139971*	139971*	
26	Bearing Cup - Outer Pinion	1	139972*	139972*	
27	Helical Gear - Pinion	1	131343	131343	
28	KIT - PINION BRG SPACER	A/R	504041	504041	Individual pinion spacers listed on Pg 29
KIT - PINION NUT		1	131095K	131095K	Kit includes 29 & 64
29	Locknut - Pinion	1	131095	131095	Socket size 69mm
MANIFOLD PARTS KIT	Non-Pump Models	1	513880	-----	Includes item 30a
	Pump Model	1	513878 	513878	Includes items 30b, 31-34
30a	Manifold Assembly - Non Pump	1	132435-NSS	-----	Used in Non-Pump models only
30b	Manifold Assembly - Pump Models	1	131366-NSS	131366-NSS	Used in all Pump models
31	Clamp	1	129338	129338	

## D170 / D190 Axle Parts List

Item	Description	Qty Per Axle	D170 D170D	D190 D190D	Notes
32	Collar Lock	1	134010	134010	
33	Hose	1	131524	131524	
34	Screen Filter Assembly	1	133964	133964	
35	Bearing Cup - Output Side Gear	1	139976*	139976*	
36	Bearing Cone - Output Side Gear	1	139975*	139975*	
	<b>KIT - OUTPUT GEAR &amp; LUBE PUMP</b>	<b>1</b>	<b>504065</b>	<b>504065</b>	<b>Includes items 37, 38a, 39</b>
37	Pump - Lube - NSS	1	131368-NSS	131368-NSS	Order Lube Pump Kit 504065
38a	Output Side Gear - Pump Models	1	131466	131466	
38b	Output Side Gear - Non Pump	1	131467	-----	
39	Pin	1	131541	131541	
40	INTER-AXLE DIFFERENTIAL	1	139965	139965	
41	Helical Side Gear & Bushing Assy.	1	131345	131345	Gear ID # 131005 includes item 42
42	Bushing - Helical Gear	2	131344	131344	
43	Thrust Washer	1	132440	132440	
44	Sliding Clutch	1	131332	131332	
45	V-Ring	1	131333*	131333*	
	<b>KIT - SHIFT FORK &amp; SPRING</b>	<b>1</b>	<b>510870</b>	<b>514142</b>	<b>Includes items 46-47</b>
46	Compression Spring	1	129859	129859	
47	Shift Fork Assembly - NSS	1	129856-NSS	131330-NSS	Order kit listed above
	<b>KIT - INPUT SHAFT - NON-PUMP</b>	<b>1</b>	<b>513839</b>	<b>-----</b>	<b>Includes items 48a, 63-64</b>
	<b>KIT - INPUT SHAFT - PUMP</b>	<b>1</b>	<b>513840</b>	<b>513840</b>	<b>Includes items 48b, 63-64</b>
48a	Input Shaft - NSS - NON-PUMP	1	131348-NSS	-----	Order kit listed above
48b	Input Shaft - NSS - PUMP	1	131349-NSS	131349-NSS	Order kit listed above
49	Bearing Cone - Input Shaft	1	139973*	139973*	
	<b>KIT - AIR LOCKOUT REPAIR</b>	<b>1</b>	<b>512892</b>	<b>512892</b>	<b>Includes items 50-53</b>
	<b>KIT - AIR LOCKOUT (Complete w/Shift Fork)</b>	<b>1</b>	<b>512893</b>	<b>N/A</b>	<b>Includes items 46-47, 50-53</b>
50	Piston	1	131232	131232	
51	O-Ring - Piston	1	210180	210180	
52	O-Ring Cover	1	131665	131665	Production#131665, alternate service# is 220HH102
53	Piston Cover	1	131096	131096	
	<b>KIT - INPUT COVER - D170</b>	<b>1</b>	<b>504067</b>	<b>-----</b>	<b>Includes items 49, 54-58A</b>
54	Input Cover - 131221-NSS	1	131686	-----	Order 504067 kit
55	Capscrew - Input Cover	10	131374	-----	
56	Nut - Adjuster Stud	1	131693	131693	M12 thread
57	Stud - Adjuster	1	131692	131692	M12 thread
58	Input Adjuster & Cup Assy.	1	134354	134354	
58A	Bearing Cup - Input Adjuster	1	139974*	139974*	Part of item# 58
	<b>KIT - INPUT COVER - D190</b>	<b>1</b>	<b>-----</b>	<b>504066</b>	<b>Includes items 49, 56-58A, 59-60</b>
59	Input Cover - 131328-NSS	1	-----	131687	Order 504066 kit
60	Capscrew - Input Cover	12	-----	131374	
61	Plug - Carrier	1	131544	-----	
	<b>KIT - INPUT SEAL &amp; LOCKNUT</b>	<b>1</b>	<b>131008K</b>	<b>131008K</b>	<b>Includes items 62-64</b>
62	Input Seal	1	134323*	134323*	Sold in 131008K kit also
	<b>KIT - PINION NUT</b>	<b>1</b>	<b>131095K</b>	<b>131095K</b>	<b>Includes item 61-62</b>
63	Input Locknut	1	131095	131095	Socket size 69mm
64	Loctite Adhesive .5ml tube	1	129293	129293	Item not illustrated
65	RTV Sealant - 3oz	1	107276S*	107276S*	Item not illustrated

**Service Diff Carrier Sub-Assembly**

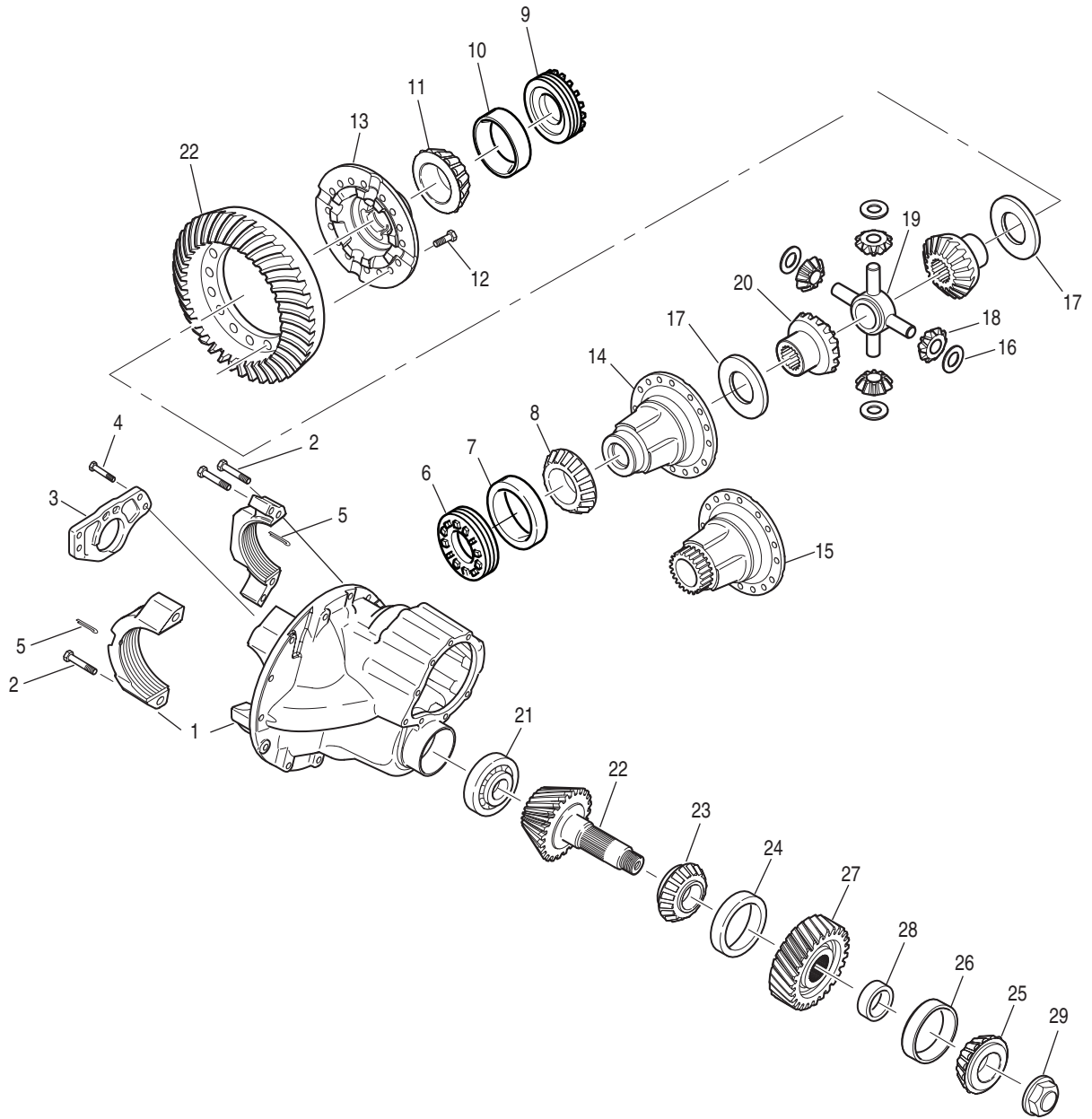
<b>Item</b>	<b>Model</b>	<b>Part No.</b>	<b>Notes</b>
1a	D170	132483	Includes items 1-4
1a	D170D	132484	Includes items 1-4
1b	D190, D190D	132485	Includes items 1-4

**Carrier Sub-Assembly Identification Information:**

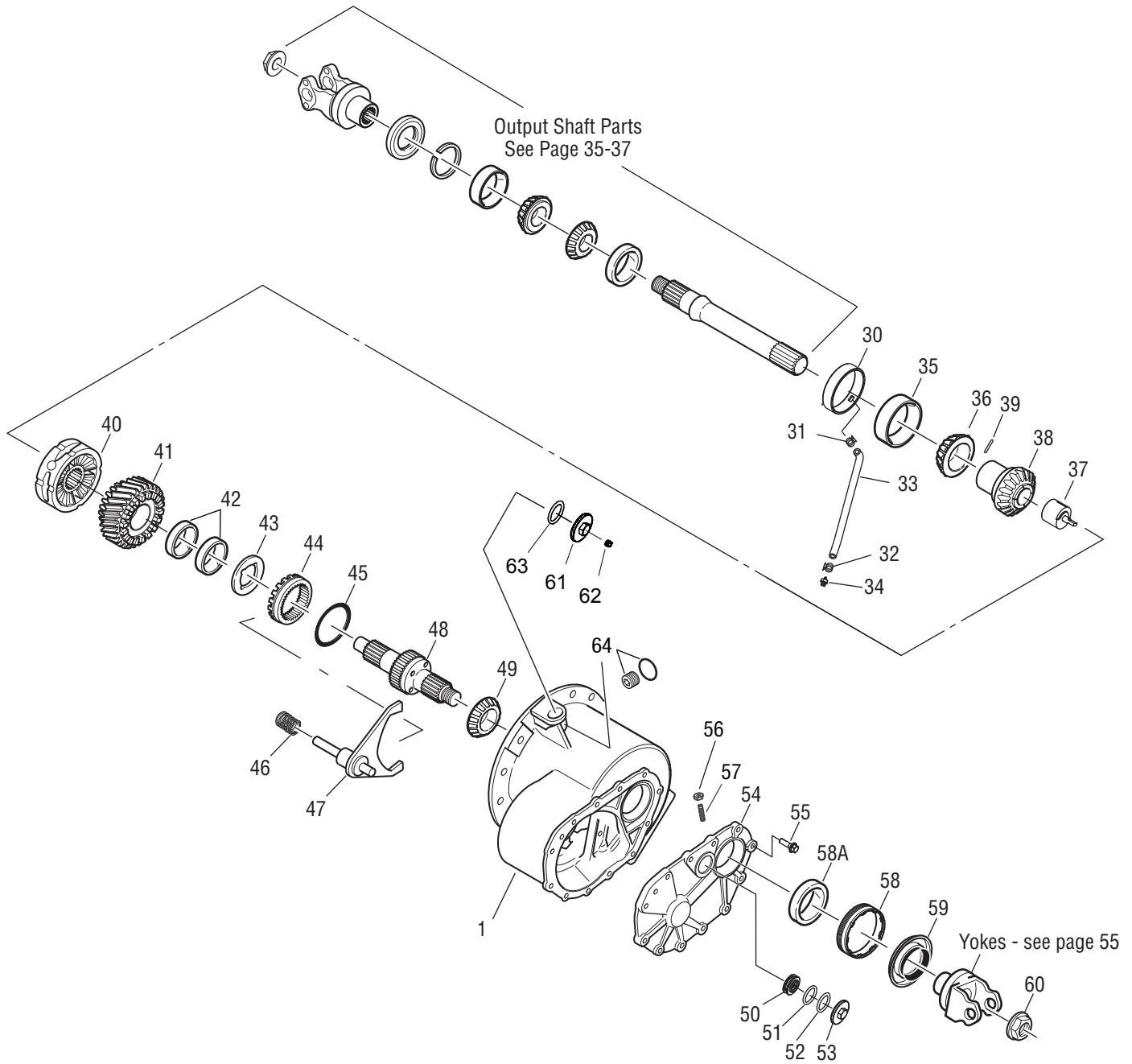
<b>Part No.</b>	<b>Casting #</b>	<b>Notes</b>
132483	131222	No Pilot Web (D170)
132484	131218	No Pilot Web (D170D)
132485	131322	Built w/Pilot Web (D190, D190D)

Note 1: The D170 & D170D models are the over-hung design (no pilot web).

### D590 / D590D Double Reduction Axle - Parts Exploded View



D590 / D590D Double Reduction Power Divider - Parts Exploded View



## D590 / D590D Double Reduction Axle - Parts List

Item	Description	Qty Per Axle	D590 D590D	Notes	
<b>BEARING KIT</b>		1	504128	Contents identified with *	
1	Carrier Sub-Assy	1	132485	Includes items 1-4 See chart Pg 14	
2	Capscrew - Bearing Cap	6	131016		
3	Pilot Bearing Web Support	1	N/A	Not a serviceable part - order item 1	
4	Capscrew - Pilot Bearing Web	4	131017		
5	Cotter Pin	2	090311		
6	Bearing Adjuster - Plain Half	1	139993		
7	Bearing Cup - Plain Half Diff	1	140020*		
8	Bearing Cone - Plain Half Diff	1	140019*		
9	Bearing Adjuster - Flange Half	1	139992		
10	Bearing Cup - Diff Flange Half	1	140012*		
11	Bearing Cone - Diff Flange Half	1	140014*		
<b>KIT - RING GEAR BOLT</b>		1	504069	Includes qty 16 of 131473	
12	Bolt - Ring Gear	16	131473		
13	Diff Case - Flange Half	1	See Kits Pg 30-33	All models	
14	Diff Case - Plain Half	1	See Kits Pg 30-33	Standard models	
15	Diff Case - Plain Half - Diff Lock	1	See Kits Pg 30-33	Diff Lock models	
<b>KIT - WHEEL DIFF SIDE GEAR w/WASHERS</b>		1	504096	Includes items 16-20	
16	Thrust Washer - Side Pinion	4	300HS100-1		
17	Thrust Washer - Side Gear	2	HS108-1		
18	Side Pinion	4	131040		
19	Spider - Differential	1	131039		
20	Side Gear - Differential	2	300GD101	46 Involute	
21	Bearing - Pinion Pilot	1	129947*		
22	Ring Gear and Pinion - NSS	See Ring & Pinion Kits Pg 26-27			
23	Bearing Cone - Inner Pinion	1	139968*		
24	Bearing Cup - Inner Pinion	1	139969*		
25	Bearing Cone - Outer Pinion	1	139971*		
26	Bearing Cup - Outer Pinion	1	139972*		
27	Pinion Helical Gear 1.39:1	1	131249	1.39:1 Reduction	
28	<b>KIT - PINION BRG SPACER</b>	A/R	504041	Individual pinion spacers listed on Pg 29	
<b>KIT - PINION NUT</b>		1	131095K	Includes 29 & 65	
29	Locknut - Pinion	1	131095	Socket size 69mm	
<b>MANIFOLD PARTS KIT</b>		Pump Model	1	513878	Includes items 30-34
30	Manifold Assembly - NSS	1	131366-NSS	Pump model	
31	Clamp	1	129338		
32	Collar Lock	1	134010		
33	Hose	1	131524		
34	Screen Filter Assembly	1	133964		
35	Bearing Cup - Output Side Gear	1	139976*		
36	Bearing Cone	1	139975*		
<b>KIT - LUBE PUMP</b>		1	504065	Includes items 37-39	
37	Pump - Lube - NSS	1	131368-NSS	Order Lube Pump Kit 504065	
38	Output Side Gear	1	131466	Pump model	
39	Pin	1	131541		

## D590 / D590D Axle Parts List

Item	Description	Qty Per Axle	D590 D590D	Notes
40	INTER-AXLE DIFFERENTIAL	1	139965	
41	Helical Side Gear & Bushing Assy. 1.39:1	1	131346	Gear stamp id# 131341, includes item 42
42	Bushing - Helical Gear	2	131344	
43	Thrust Washer	1	132440*	
44	Sliding Clutch	1	131332	
45	V-ring	1	131333*	
<b>KIT - SHIFT FORK &amp; SPRING</b>		<b>1</b>	<b>514142</b>	Includes items 46-47
46	Compression Spring	1	129859	
47	Shift Fork Assembly - NSS	1	131330-NSS	Must order kit above
<b>KIT - INPUT SHAFT - PUMP MDL</b>		<b>1</b>	<b>513840</b>	Includes items 48, 60 & 65
48	Input Shaft - NSS - PUMP	1	131349-NSS	
49	Bearing Cone - Input Shaft	1	139973*	
<b>KIT - AIR LOCKOUT REPAIR</b>		<b>1</b>	<b>512892</b>	Includes items 50-53
50	Piston	1	131232	
51	O-Ring - Piston	1	210180	
52	O-Ring Cover	1	131665	Production#131665, alternate service# is 220HH102
53	Piston Cover	1	131096	
<b>KIT - INPUT COVER</b>		<b>1</b>	<b>504066</b>	Includes items 49, 54-58A
54	Input Cover - 131328-NSS	1	131687	Order 504066 kit
55	Capscrew - Input Cover	12	131374	
56	Nut - Adjuster Stud	1	131693	M12 thread
57	Stud - Adjuster	1	131692	M12 thread
58	Input Adjuster & Cup Assy.	1	134354	
58A	Brg Cup - Input Adjuster	1	139974*	Part of item# 58
<b>KIT - INPUT SEAL &amp; LOCKNUT</b>		<b>1</b>	<b>131008K</b>	Includes items 59-60 & 65
59	Input Seal	1	134323*	Sold in 131008K kit also
<b>KIT - PINION NUT</b>		<b>1</b>	<b>131095K</b>	Includes item 60 & 65
60	Locknut - Input Shaft	1	131095	Socket size 69mm
61	Cover - Diff Lock Shift	1	131096	For Non-diff lock mdl. For diff lock models see Pg 34
62	Plug - Diff Lock Shift	1	127195	For Non-diff lock mdl. For diff lock models see Pg 34
63	O-Ring - Diff Lock Cover	1	131665	For Non-diff lock mdl. For diff lock models see Pg 34
64	Plug & O-Ring - Diff Lock Cylinder	1	131487	For Non-diff lock mdl. For diff lock models see Pg 34
65	Loctite Adhesive .5ml tube	1	129293	Not illustrated
66	RTV Sealant - 3oz	1	107276S*	Not illustrated

### Service Diff Carrier Sub-Assembly

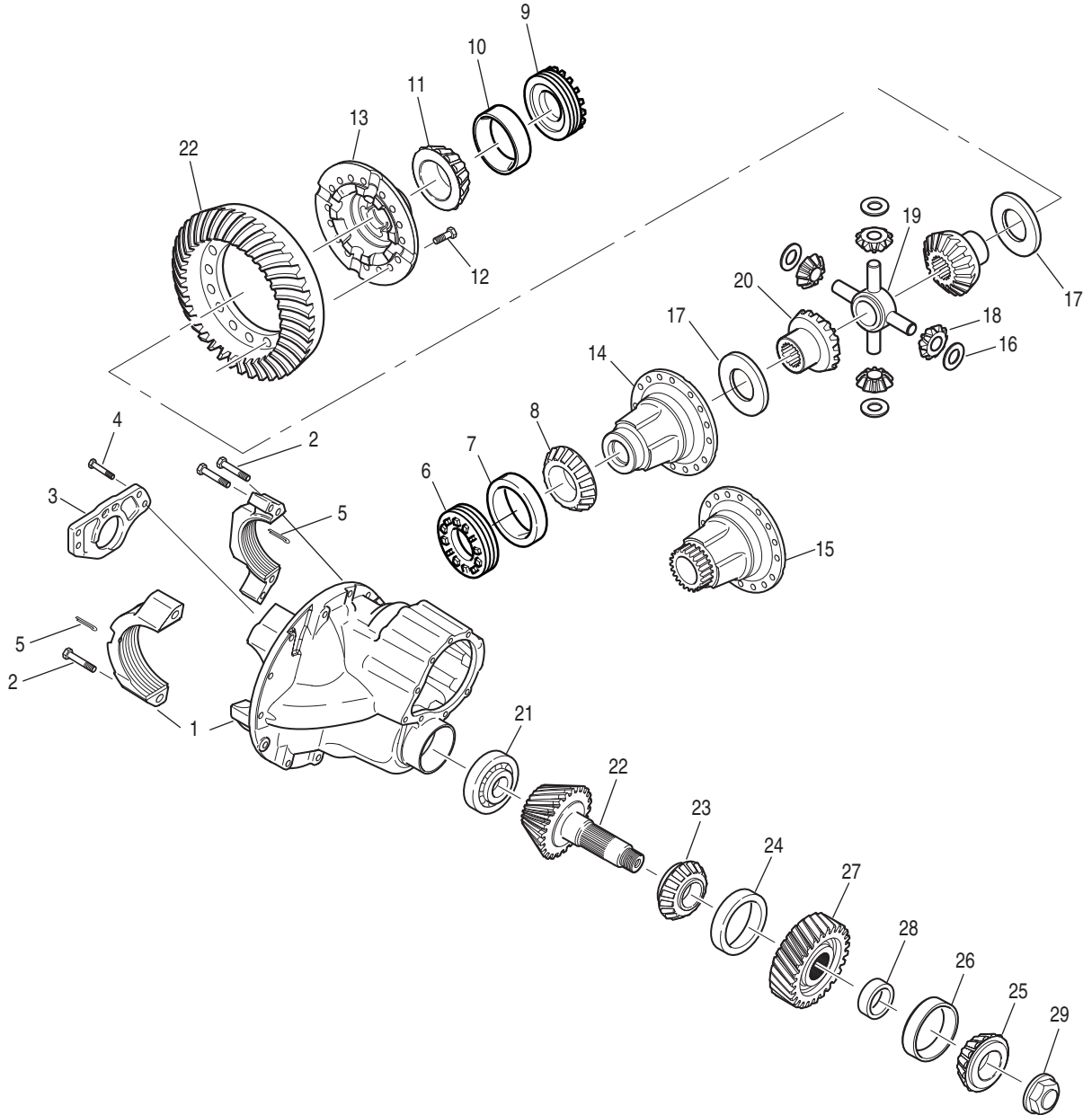
Item	Model	Part No.	Notes
1	D590, D590D	132485	Includes items 1-4

### Carrier Sub-Assembly Identification Information:

Part No.	Casting #	Notes
132485	131322	Built w/Pilot Web (D590, D590D)

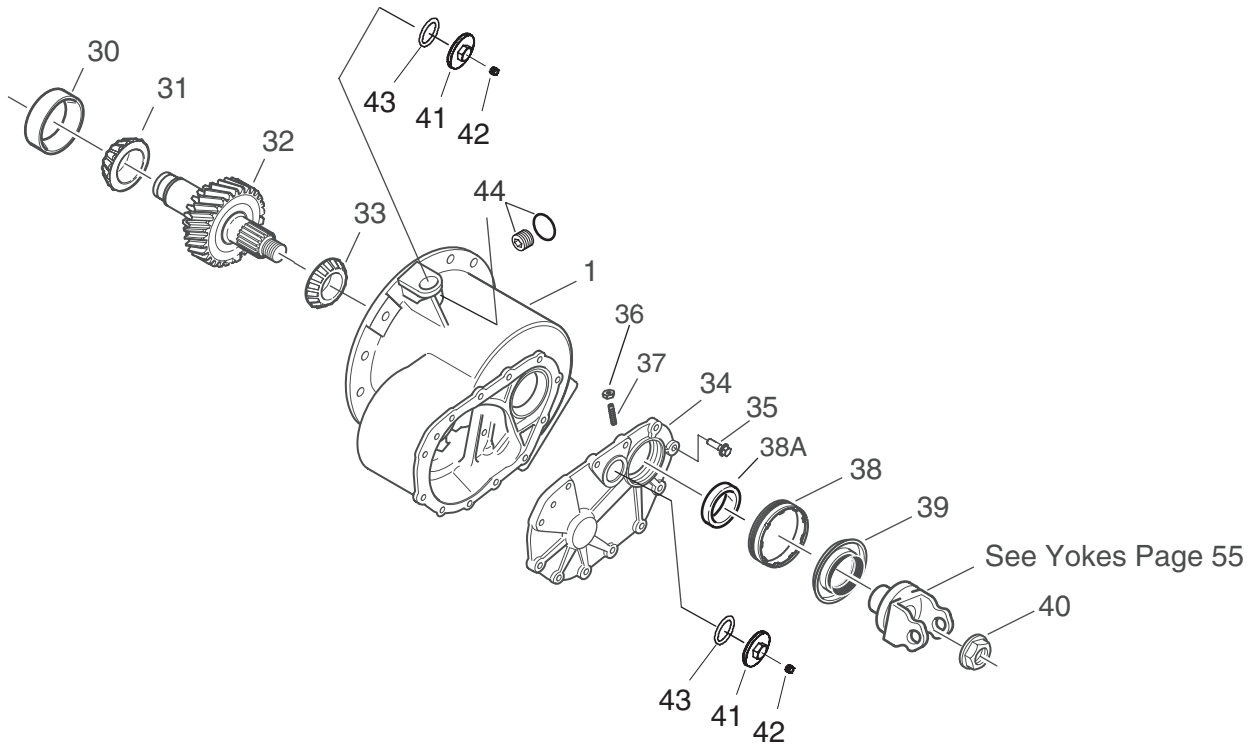


S590 / S590D / R590 / R590D Double Reduction Axle -



## Parts Exploded View

### S590 / S590D / R590 / R590D Double Reduction Power Divider -



## Parts Exploded View

## S590 / S590D / R590 / R590D Double Reduction Axle - Parts List

Item	Description	Qty Per Axle	S590, S590D,	R590 R590D	Notes
<b>BEARING KIT</b>		1	504128		Contents identified with *
1	Carrier Sub-Assy	1	132485		Includes items 1-4 See chart Pg 18
2	Capscrew - Bearing Cap	6	131016		
3	Pilot Bearing Web Support	1	N/A		Not a serviceable part - order item 1
4	Capscrew - Pilot Bearing Web	4	131017		
5	Cotter Pin	2	090311		
6	Bearing Adjuster - Plain Half	1	139993		
7	Bearing Cup - Plain Half Diff	1	140020*		
8	Bearing Cone - Plain Half Diff	1	140019*		
9	Bearing Adjuster - Flange Half	1	139992		
10	Bearing Cup - Diff Flange Half	1	140012*		
11	Bearing Cone - Diff Flange Half	1	140014*		
<b>KIT - RING GEAR BOLT</b>		1	504069		Includes qty 16 of 131473
12	Bolt - Ring Gear	16	131473		
13	Diff Case - Flange Half	1	See Kits Pg 30-33		All models
14	Diff Case - Plain Half	1	See Kits Pg 30-33		Standard models
15	Diff Case - Plain Half - Diff Lock	1	See Kits Pg 30-33		Diff Lock models
<b>KIT - WHEEL DIFF SIDE GEAR w/WASHERS</b>		1	504096		Includes items 16-20
16	Thrust Washer - Side Pinion	4	300HS100-1		
17	Thrust Washer - Side Gear	2	HS108-1		
18	Side Pinion	4	131040		
19	Spider - Differential	1	131039		
20	Side Gear - Differential	2	300GD101		46 Involute
21	Bearing - Pinion Pilot	1	129947*		
22	Ring Gear and Pinion - NSS		See Ring & Pinion Kits Pg 26-27		
23	Bearing Cone - Inner Pinion	1	139968*		
24	Bearing Cup - Inner Pinion	1	139969*		
25	Bearing Cone - Outer Pinion	1	139971*		
26	Bearing Cup - Outer Pinion	1	139972*		
27	Pinion Helical Gear 1.39:1	1	131249		1.39:1 Reduction
28	<b>KIT - PINION BRG SPACER</b>	A/R	504041		Individual pinion spacers listed on Pg 29
<b>KIT - PINION NUT</b>		1	131095K		Includes 29 & 45
29	Locknut - Pinion	1	131095		Socket size 69mm
30	Bearing Cup	1	139976*		
31	Bearing Cone	1	139975*		
32	Input Shaft & Helical Gear 1.39:1		131353		
33	Bearing Cone - Input Shaft	1	139973*		
<b>KIT - INPUT COVER</b>		1	504066		Includes items 33-38A
34	Input Cover - 131328-NSS	1	131687		Order 504066 kit
35	Capscrew - Input Cover	12	131374		
36	Nut - Adjuster Stud	1	131693		M12 thread
37	Stud - Adjuster	1	131692		M12 thread
38	Input Adjuster & Cup Assy.	1	134354		
38A	Bearing Cup - Input Adjuster	1	139974*		Part of item# 38

## S590 / S590D / R590 Axle Parts List

Item	Description	Qty Per Axle	S590, S590D,	R590 R590D	Notes
<b>KIT - INPUT SEAL &amp; LOCKNUT</b>		1	131008K		Includes items 39-40, 45
39	Input Seal	1	134323*		Sold in 131008K kit also
<b>KIT - PINION NUT</b>		1	131095K		Includes item 40 & 45
40	Input Locknut	1	131095		Socket size 69mm
41	Cover - Diff Lock Shift	2	131096		See Note 1
42	Plug - Diff Lock Shift	2	127195		See Note 1
43	O-Ring - Diff Lock Cover	2	131665		See Note 1
44	Plug & O-Ring - Diff Lock Cover	1	131487		For Non-diff lock models only
45	Loctite Adhesive .5ml tube	1	129293		Item not illustrated
46	RTV Sealant - 3oz	1	107276S*		Item not illustrated

Note 1: Quantity used is 2 unless you have a Diff Lock model, see page 34 for diff lock shift parts

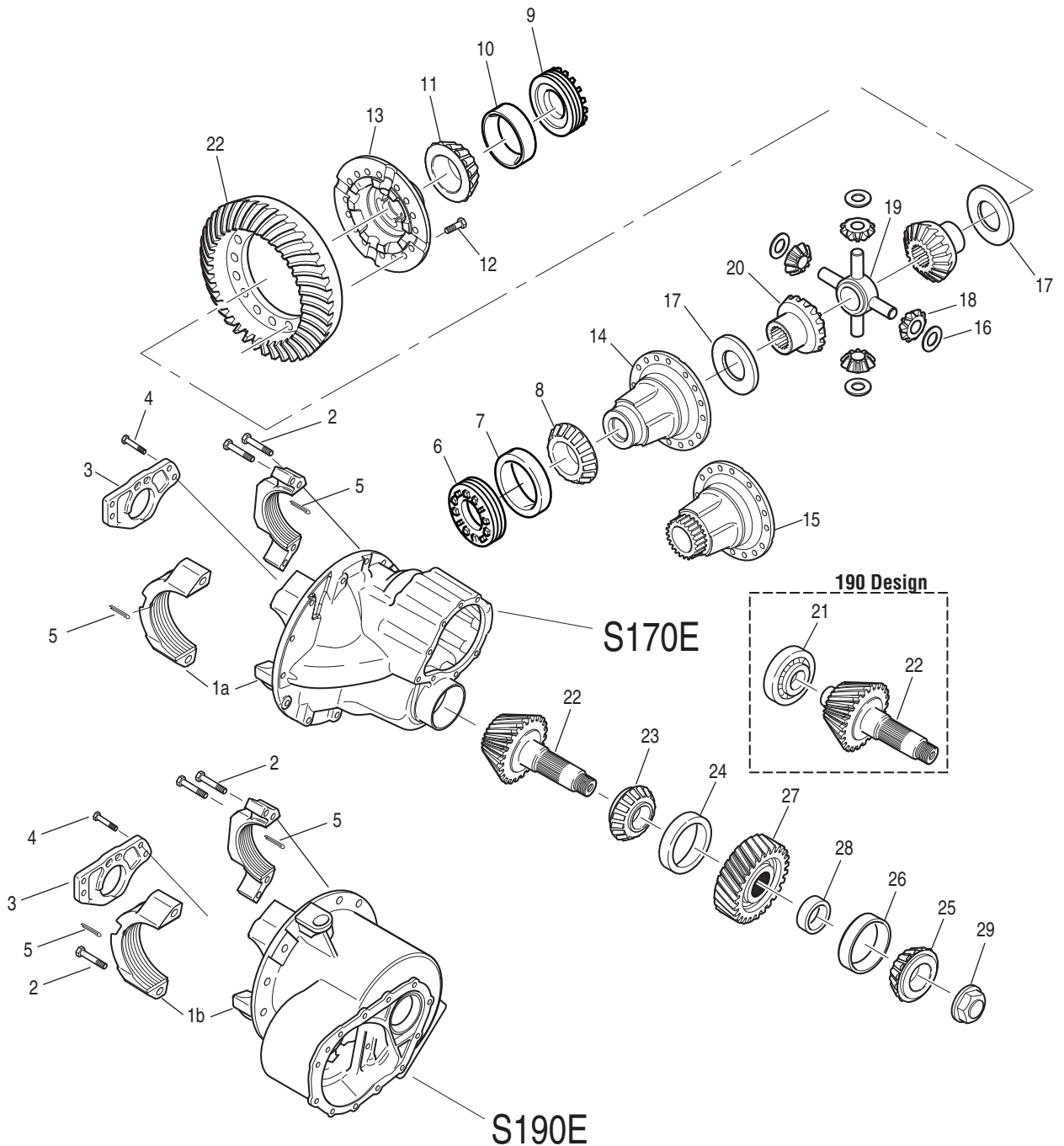
### Diff Carrier Sub-Assembly

Item	Model	Part No.	Notes
1	S590, S590D, R590, R590D	132485	Includes items 1-4

### Carrier Sub-Assembly Identification Information:

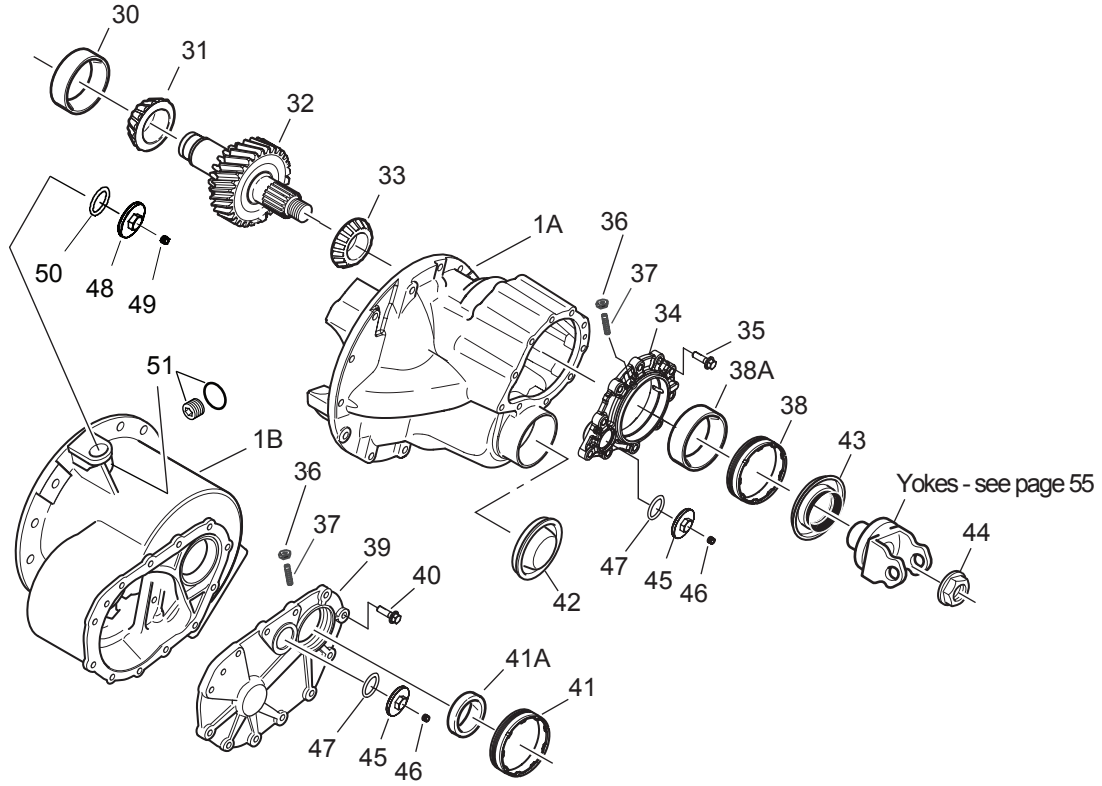
Part No.	Casting #	Notes
132485	131322	Built w/Pilot Web

# S170E / S190E / S190DE High Entry Axle - Parts Exploded View



Parts for  
Diff Lock Assembly  
See page 34

S170E / S190E / S190DE High Entry Power Divider - Parts Exploded View



## S170E / S190E / S190DE High Entry Axle - Parts List

Item	Description	Qty Per Axle	S170E	S190E	S190DE	Notes
<b>BEARING KIT</b>		1	504126	504128	504128	Contents identified with *
1a	Carrier Sub-Assy	1	132483	-----	-----	Includes items 1a & 2 See Chart Pg 22
1b	Carrier Sub-Assy	1	-----	132485	132485	Includes items 1b-4 See Chart Pg 22
2	Capscrew - Bearing Cap	6	131016	131016	131016	
3	Pilot Bearing Web Support	1	-----	N/A	N/A	Not a serviceable part - order item 1
4	Capscrew - Pilot Bearing Web	4	-----	131017	131017	
5	Cotter Pin	2	090311	090311	090311	
6	Bearing Adjuster - Plain Half	1	139993	139993	139993	
7	Bearing Cup - Plain Half Diff	1	140012*	140020*	140020*	Standard model
		1	140020*	140020*	140020*	Diff Lock model
8	Bearing Cone - Plain Half Diff	1	140014*	140019*	140019*	Standard model
		1	140019*	140019*	140019*	Diff Lock model
9	Bearing Adjuster - Flange Half	1	139992	139992	139992	
10	Bearing Cup - Diff Flange Half	1	140012*	140012*	140012*	
11	Bearing Cone - Diff Flange Half	1	140014*	140014*	140014*	
<b>KIT - RING GEAR BOLT</b>		1	504069	504069	504069	Includes qty 16 of 131473
12	Bolt - Ring Gear	16	131473	131473	131473	
13	Diff Case - Flange Half	1	See Diff Case Kits Pg 30-33			All models
14	Diff Case - Plain Half	1	See Diff Case Kits Pg 30-33			Standard models
15	Diff Case - Plain Half - Diff Lock	1	See Diff Case Kits Pg 30-33			Diff Lock models
<b>KIT - WHEEL DIFF SIDE GEAR w/WASHERS</b>		1	504096	504096	504096	Includes items 16-20
16	Thrust Washer - Side Pinion	4	300HS100-1300HS100-1300HS100-1			
17	Thrust Washer - Side Gear	2	HS108-1	HS108-1	HS108-1	
18	Side Pinion	4	131040	131040	131040	
19	Spider - Differential	1	131039	131039	131039	
20	Side Gear - Differential	2	300GD101	300GD101	300GD101	46 Involute
21	Bearing - Pinion Pilot	1	-----	129947*	129947*	
22	Ring Gear and Pinion - NSS		See Ring & Pinion Kits Pg 26-27			
23	Bearing Cone - Inner Pinion	1	139968*	139968*	139968*	
24	Bearing Cup - Inner Pinion	1	139969*	139969*	139969*	
25	Bearing Cone - Outer Pinion	1	139971*	139971*	139971*	
26	Bearing Cup - Outer Pinion	1	139972*	139972*	139972*	
27	Pinion Helical Gear	1	131343	131343	131343	
28	<b>KIT - PINION BRG SPACER</b>	A/R	504041	504041	504041	Individual pinion spacers listed on pg 29
<b>KIT - PINION NUT</b>		1	131095K	131095K	131095K	Includes 29 & 52
29	Locknut - Pinion	1	131095	131095	131095	Socket size 69mm
30	Bearing Cup - Output Side Gear	1	139976*	139976*	139976*	
31	Bearing Cone - Output Side Gear	1	139975*	139975*	139975*	

## S170E / S190E / S190DE Parts List

Item	Description	Qty Per Axle	S170E	S190E	S190DE	Notes
32	INPUT SHAFT & HELICAL - HIGH ENTRY	1	131340	131340	131340	1:1 ratio
33	Bearing Cone - Input Shaft	1	139973*	139973*	139973*	
<b>KIT - INPUT COVER - S170E</b>		<b>1</b>	<b>504067</b>	-----	-----	Includes items 33-38A
34	Input Cover - 131221-NSS	1	131686	-----	-----	Order 504067 kit
35	Capscrew - Input Cover	10	131374	-----	-----	
36	Nut - Adjuster Stud	1	131693	131693	131693	M12 thread
37	Stud - Adjuster	1	131692	131692	131692	M12 thread
38	Input Adjuster & Cup Assy.	1	134354	134354	134354	
38A	Bearing Cup - Input Adjuster	1	139974*	139974*	139974*	
<b>KIT - INPUT COVER - S190E/S190DE</b>		<b>1</b>	-----	<b>504066</b>	<b>504066</b>	Includes items 33, 36-37, 39-41A
39	Input Cover - 131328-NSS	1	-----	131687	131687	Order 504066 kit
40	Capscrew - Input Cover	12	-----	131374	131374	
41	Input Adjuster & Cup Assy.	1	134354	134354	134354	
41A	Bearing Cup - Input Adjuster	1	139974*	139974*	139974*	Part of item# 41
42	Plug - Carier	1	131544	-----	-----	
<b>KIT - INPUT SEAL &amp; LOCKNUT</b>		<b>1</b>	<b>131008K</b>	<b>131008K</b>	<b>131008K</b>	Includes items 43-44 & 52
43	Input Seal	1	134323*	134323*	134323*	
<b>KIT - PINION NUT</b>		<b>1</b>	<b>131095K</b>	<b>131095K</b>	<b>131095K</b>	Includes item 44 & 52
44	Input Locknut	1	131095	131095	131095	Socket size 69mm
45	Cap - Lockout Cylinder	1	131096	131096	131096	
46	Plug - Cap - Lockout Cylinder	1	127195	127195	127195	
47	O-Ring - Cap - Lockout Cylinder	1	131665	131665	131665	
48	Cap - Diff Lock Shift Cylinder	1	131096	131096	-----	For Non-diff lock mdl. For diff lock models see Pg 34
49	Plug - Cap - Diff Lock Shift Cylinder	1	127195	127195	-----	For Non-diff lock mdl. For diff lock models see Pg 34
50	O-Ring - Cap - Diff Lock Shift Cylinder	1	131665	131665	-----	For Non-diff lock mdl. For diff lock models see Pg 34
51	Plug & O-Ring - Diff Lock Switch Opening	1	131487	131487	-----	For Non-diff lock mdl. For diff lock models see Pg 34
52	Loctite Adhesive .5ml tube	1	129293	129293	129293	Item not illustrated
53	RTV Sealant - 3oz	1	107276S*	107276S*	107276S*	Item not illustrated

### Service Diff Carrier Sub-Assembly

Item	Model	Part No.	Notes
1a	S170E	132483	Includes items 1-4
1b	S190E, S190DE	132485	Includes items 1-4

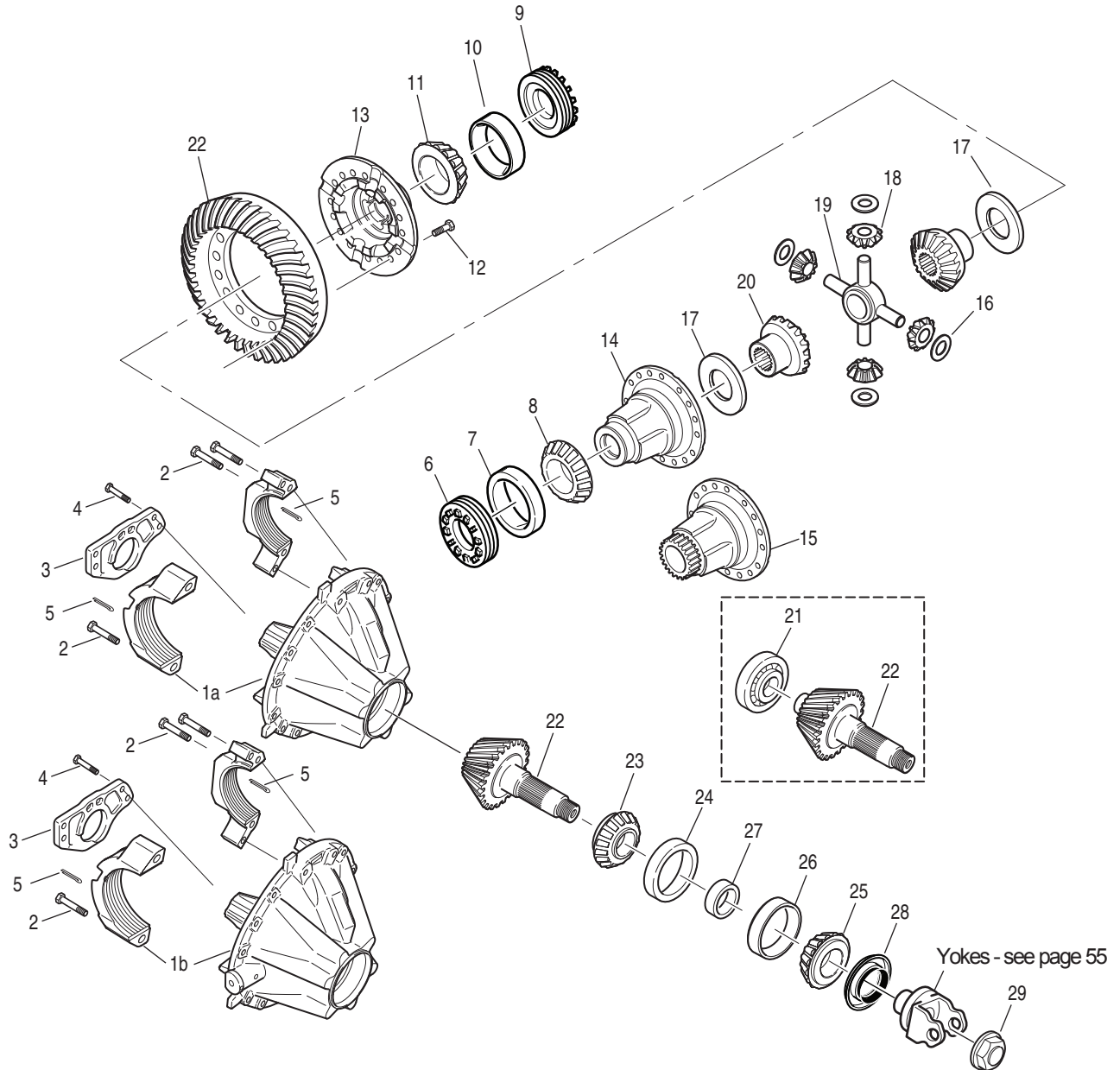
### Carrier Sub-Assembly Identification Information:

Part No.	Casting #	Notes
132483	131222	No Pilot Web (S170E)
132485	131322	Built w/Pilot Web (S190E, S190DE)




# R170 / R190, S170 / S190 - Rear Axle Parts Explode

Models Made ON or AFTER June 10, 2013



## R170 / R190, S170 / S190 - Rear Axle Parts List

### Models Made ON or AFTER June 10, 2013

Item	Description	Qty Per Axle	S170, S170D S170R R170D	S190, S190D S190R R190D	Notes
BEARING KIT		1	-----	504131	S190 Series - ratios 2.53-4.78
Contents identified with *		1	-----	504133	S190 Series - ratios 5.25-7.83
		1	504029 	-----	S170 Series - ratios 2.69-3.91
		1	504130	-----	S170 Series - ratios 4.10-7.17
		1	504131	-----	S170D - Diff Lock Series - ratios 2.69-3.91
		1	504132	-----	S170D - Diff Lock Series - ratios 4.10-7.17
1a	Carrier Sub-Assy	1	See Chart Pg 25		Standard model - Note 1
1b	Carrier Sub-Assy	1	See Chart Pg 25		Diff Lock model - Note 1
2	Capscrew - Bearing Cap	6	131016	131016	
3	Pilot Bearing Web Support	1	NSS-Note 1	NSS-Note 1	
4	Capscrew - Pilot Bearing Web	4	131017	131017	
5	Cotter Pin	2	090311	090311	
6	Bearing Adjuster - Plain Half	1	139993	139993	
7	Bearing Cup - Plain Half Diff	1	140012*	140020*	Standard model
		1	140020*	140020*	Diff Lock model
8	Bearing Cone - Plain Half Diff	1	140014*	140019*	Standard model
		1	140019*	140019*	Diff Lock model
9	Bearing Adjuster - Flange Half	1	139992	139992	
10	Bearing Cup - Diff Flange Half	1	140012*	140012*	All models
11	Bearing Cone - Diff Flange Half	1	140014*	140014*	All models
<b>KIT - RING GEAR BOLT</b>		1	504069	504069	Includes qty 16 of 131473
12	Ring Gear Bolt	16	131473	131473	
13	Diff Case - Flange Half	1	See Diff Case Kits Pg 30-33		All models
14	Diff Case - Plain Half	1	See Diff Case Kits Pg 30-33		Standard models
15	Diff Case - Plain Half - Diff Lock	1	See Diff Case Kits Pg 30-33		Diff Lock models
<b>KIT - WHEEL DIFF SIDE GEAR w/ WASHERS</b>			504096	504096	Includes items 16-20
16	Thrust Washer - Side Pinion	4	300HS100-1	300HS100-1	
17	Thrust Washer - Side Gear	2	HS108-1	HS108-1	
18	Side Pinion	4	131040	131040	
19	Spider - Differential	1	131039	131039	
20	Side Gear - Differential	2	300GD101	300GD101	46 Involute
<b>NO SPIN ASSEMBLY - 46 Inv Spline</b>		1	131882	-----	Item not illustrated
21	Bearing - Pinion Pilot	Ratios 2.69-3.91	129947*	-----	
		Ratios 2.53-4.78	-----	129947*	
		Ratios 5.25-7.83	-----	126187*	
22	Ring Gear & Drive Pinion Set		See Ring & Pinion Kits Pg 26-27		
23	Bearing Cone - Inner Pinion	1	139968*	139968*	
24	Bearing Cup - Inner Pinion	1	139969*	139969*	
25	Bearing Cone - Outer Pinion	1	139970*	139970*	
26	Bearing Cup - Outer Pinion	1	139969*	139969*	
27	<b>KIT - PINION BRG SPACER</b>	A/R	504042	504042	Individual pinion spacers listed on Pg 29
<b>KIT - INPUT SEAL &amp; LOCKNUT</b>		1	131008K	131008K	Includes items 28-29, 30
28	Input Seal	1	134323*	134323*	Also sold in 131008K kit

Item	Description	Per Axle	S170R R170 R170D	S190R R190 R190D	Notes
	KIT - PINION NUT	1	131095K	131095K	Includes item 29-30
29	Locknut - Pinion	1	131095*	131095*	Socket size 69mm
30	Loctite Adhesive .5ml tube	1	129293*	129293*	Item not illustrated
31	RTV Sealant - 3oz	1	107276S*	107276S*	Item not illustrated

### Service Diff Carrier Sub-Assembly

Item	Model	Part No.	Notes
1a	R170, S170 (has pilot web)	132480	Includes items 1-4
1b	R190, R190D, S190, S190D	132482	Includes items 1-4
1a	S170R (retarder ready)	132486	Includes items 1-4
1b	S190R, S190DR (retarder ready)	132487	Includes items 1-4

### Carrier Sub-Assembly Identification Information

Part No.	Casting #	Notes
132478-nss	131228	No Pilot Web order 132480
132479-nss	131020	No Pilot Web order 132481
132480	131228	Built w/Pilot Web order 132480
132481	131020	Built w/Pilot Web order 132481
132482	131024	Built w/Pilot Web order 132482
132486	131020	Built w/Pilot Web order 132486
132487	131024	Built w/Pilot Web order 132487

Note 1: Some S170, R170 production models utilize the Pilot Web, while others are the over-hung design (no pilot web). All service replacement Carrier Sub-Assemblies are only offered with the pilot webs. Service uses Pilot web design carrier sub-assemblies to replace non pilot web designs.

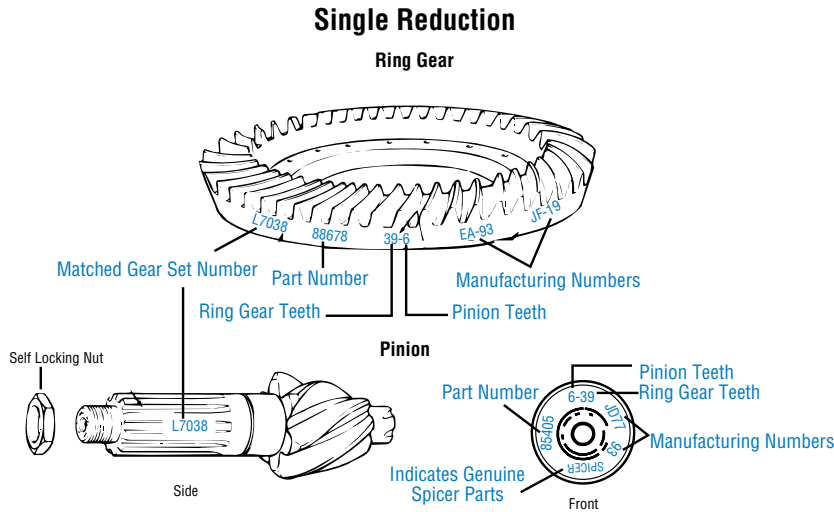
1a = Non Diff-Lock Design 1b = Diff Lock Design

## Gear & Pinion Kits

### Ring Gear & Pinion Identification

Dana has highly developed primary axle gearing which is only used in matched sets. These sets are identified by the mating parts listed below. Within any Dana production drive axle or genuine Spicer® Gear & Pinion service kits, these mated part numbers will appear. Because they are developed as a set with precision machining, never mix gears and pinions from different mated sets within an axle. Shortened gearing life, noise and failure may occur. Always use genuine Spicer® products.

- Ring Gear and Drive Pinion are matched parts and must be replaced in sets.
- Identification of mated parts are shown on the drawing below.



### D170, D170D, S170E High Entry Models

Ring Gear Size: 17.7"

Pinion Nut Part No. 131095

Ratio	Spicer Service Kit Part No.	Gear Part No.	Pinion P/N Part No.	Tooth
3.07	513882	131281	131250	43-14
3.21	513883	131282	131261	45-14
3.42	513885	131283	131253	41-12
3.58	513886	131284	131254	43-12
3.73	513887	131283	131255	41-11
3.91	513888	131284	131256	43-11
4.10	513889	131283	131257	41-10
4.30	513890	131284	131258	43-10
4.56	513891	131285	131259	41-9
4.78	513892	131286	131260	43-9
5.25	513893	131287	131261	42-8
5.38	513894	131288	131262	43-8
5.57	513895	131289	131263	39-7
6.14	513896	131288	131264	43-7
6.83	513897	131290	131265	41-6
7.17	513898	131288	131266	43-6

### R170, R170D, S170, S170D

Ring Gear Size: 17.7"

Pinion Nut Part No. 131095

Ratio	Spicer Service Kit Part No.	Gear Part No.	Pinion P/N Part No.	Tooth
3.07	513917	131183	131150	43-14
3.21	513918	131185	131151	45-14
3.42	513920	131186	131153	41-12
3.58	513921	131187	131154	43-12
3.73	513922	131186	131155	41-11
3.91	513923	131187	131156	43-11
4.10	513924	131186	131157	41-10
4.30	513925	131187	131158	43-10
4.30 BC	504024	131596	133800	43-10
4.56	513926	131188	131159	41-9
4.78	513927	131189	131160	43-9
5.25	513928	131190	131161	42-8
5.38	513929	131460	131456	43-8
5.57	513930	131461	131457	39-7
6.14	513931	131460	131458	43-7
6.83	513932	131462	131459	41-6
7.17	513933	131463	131475	43-6

## D190, D190D, D/R590, D/R590D, S590, S590D, S190E High Entry Models

Ring Gear Size: 18.5"

Pinion Nut Part No. 131095

Ratio (note 1)	Spicer Service Kit Part No.	Gear Part No.	Pinion P/N Part No.	Tooth
3.42 (4.75)	<b>513899</b>	131283	131267	41-12
3.58 (4.99)	<b>513900</b>	131284	131268	43-12
3.73 (5.19)	<b>513901</b>	131283	131269	41-11
3.91 (5.44)	<b>513902</b>	131284	131270	43-11
4.10 (5.70)	<b>513903</b>	131283	131271	41-10
4.30 (5.98)	<b>513904</b>	131284	131272	43-10
4.56 (6.34)	<b>513905</b>	131285	131273	41-9
4.78 (6.65)	<b>513906</b>	131286	131274	43-9
5.25 (7.30)	<b>513907</b>	131287	131275	42-8
5.38 (7.48)	<b>513908</b>	131288	131276	43-8
5.57 (7.75)	<b>513909</b>	131289	131277	39-7
6.14 (8.55)	<b>513910</b>	131288	131278	43-7
6.83 (9.51)	<b>513911</b>	131290	131279	41-6
7.17 (9.97)	<b>513912</b>	131288	131280	43-6
7.83 (10.90)	<b>513913</b>	131522	131521	47-6

Note 1: Ratios shown in parentheses are ratio callouts for "Double Reduction 590 models" which use a 1:39-1 helical reduction gearing.

## R190S, R190D, S190S, S190D

Ring Gear Size: 18.5"

Pinion Nut Part No. 131095

Ratio	Spicer Service Kit Part No.	Gear Part No.	Pinion P/N Part No.	Tooth
2.53	<b>513934</b>	131506	131505	43-17
2.69	<b>513935</b>	131191	131162	43-16
2.87	<b>513936</b>	131191	131163	43-15
2.93	<b>513937</b>	131192	131164	41-14
3.07	<b>513938</b>	131191	131165	43-14
3.21	<b>513939</b>	131193	131166	45-14
3.42	<b>513941</b>	131194	131168	41-12
3.58	<b>513942</b>	131195	131169	43-12
3.73	<b>513943</b>	131194	131170	41-11
3.91	<b>513944</b>	131195	131171	43-11
4.10	<b>513945</b>	131194	131172	41-10
4.30	<b>513946</b>	131195	131176	43-10
4.56	<b>513947</b>	131194	131174	41-9
4.78	<b>513948</b>	131195	131175	43-9
5.25	<b>513949</b>	131196	131176	42-8
5.38	<b>513950</b>	131197	131177	43-8
5.57	<b>513951</b>	131198	131178	39-7
6.14	<b>513952</b>	131197	131179	43-7
6.83	<b>513953</b>	131198	131180	41-6
7.17	<b>513954</b>	131197	131181	43-6
7.83	<b>513955</b>	131200	131182	47-6

## Bearing Kits

### Forward Carrier Models

Part Description	Qty	504126	504127	504128	
		D170S S170E	D170D	All D190, D590, S590, R590 All S190E & S190DE	
Brg Cup - Diff Plain Half	1	140012	140020	140020	
Bearing Cone - Diff Plain Half	1	140014	140019	140019	
Brg Cup - Diff Flg Half	1	140012	140012	140012	
Brg Cone - Diff Flg Half	1	140014	140014	140014	
Bearing - Pinion Pilot	1	-----	-----	129947	
Brg Cup - Inner Pinion	1	139969	139969	139969	
Brg Cone - Inner Pinion	1	139968	139968	139968	
Brg Cup - Outer Pinion	1	139972	139972	139972	
Brg Cone - Outer Pinion	1	139971	139971	139971	
Brg Cup - O/P Side Gear	1	139976	139976	139976	
Brg Cone - O/P Side Gear	1	139975	139975	139975	
Brg Cup - Input Adjuster	1	139974	139974	139974	
Brg Cone - Input Shaft	1	139973	139973	139973	
V-Ring	1	131333*	131333	131333*	* See Note 1
Oil Seal - Input Location	1	134323	134323	134323	
Gasket Compound - RTV	1	107276S	107276S	107276S	

Note 1 - The S590 & R590 models and High Entry "E" models do not use the V-Ring - simply discard it.

### Single & Rear-Rear Carrier Models

Part Description	Qty	504129	504130	504131	504132	504131	504133
		R170S S170S 2.69-3.91	R170S S170S 4.10-7.17	R170D S170D 2.69-3.91	R170D S170D 4.10-7.17	R190 S190 2.53-4.78	R190 S190 5.25-7.83
Brg Cup - Diff Plain Half	1	140012	140012	140020	140020	140020	140020
Bearing Cone - Diff Plain Half	1	140014	140014	140019	140019	140019	140019
Brg Cup - Diff Flg Half	1	140012	140012	140012	140012	140012	140012
Brg Cone - Diff Flg Half	1	140014	140014	140014	140014	140014	140014
Bearing - Pinion Pilot	1	129947	-----	129947	-----	129947	126187
Brg Cup - Inner Pinion	1	139969	139969	139969	139969	139969	139969
Brg Cone - Inner Pinion	1	139968	139968	139968	139968	139968	139968
Brg Cup - Outer Pinion	1	139969	139969	139969	139969	139969	139969
Brg Cone - Outer Pinion	1	139970	139970	139970	139970	139970	139970
Oil Seal - R-Pinion	1	134323	134323	134323	134323	134323	134323
Gasket Compound - RTV	1	107276S	107276S	107276S	107276S	107276S	107276S

## Bearing Spacers

Select a variable pinion bearing spacer from the list below to attain the correct pinion bearing preload. All procedures on "Pinion Bearing Preload" remain the same and the proper steps should be followed according to your Dana Spicer Service Manual AXSM-0057. Spicer Pinion Bearing Spacer kits are available as shown below.

### PINION BRG SPACER KIT: 504041

Models: ALL D170, D190, D/R590, S590, D170E/D190E

Dana P/N	Spacer Thickness (mm)	Dana P/N	Spacer Thickness (mm)
131376	21.760	131392	22.120
*131408	22.360	132838	21.775
131377	21.790	*131393	22.135
*131409	22.375	132839	21.805
*131378	21.820	131394	22.150
131410	22.390	132840	21.835
131379	21.850	131395	22.165
131411	22.405	132841	21.865
131380	21.880	131396	22.180
131412	22.420	132842	21.895
131381	21.910	131397	22.195
*131413	22.435	132843	21.925
131382	21.940	131398	22.210
131414	22.450	*132844	21.955
131383	21.970	*131399	22.225
131415	22.465	132845	21.985
131384	22.000	*131400	22.240
131416	22.495	132846	22.470
131385	22.015	131401	22.255
131417	22.525	132847	22.510
131386	22.030	131402	22.270
131418	22.555	132848	22.540
131387	22.045	131403	22.285
131419	22.585	132849	22.570
131388	22.060	131404	22.300
131420	22.615	132850	22.600
131389	22.075	131405	22.315
*131421	22.645	132851	22.630
131390	22.090	131406	22.330
131422	22.675	132852	22.660
*131391	22.105	131407	22.345
131423	22.705	132853	22.680

### PINION BRG SPACER KIT: 504042

Models: ALL R170, S170, R190, S190

Dana P/N	Spacer Thickness (mm)	Dana P/N	Spacer Thickness (mm)
131053	7.750	131061	7.945
131074	8.140	132832	8.335
132825	7.765	131062	7.960
131075	8.155	131085	8.350
131054	7.780	131063	7.975
131076	8.170	132833	8.365
132826	7.795	131064	7.990
*131077	8.185	*132834	8.395
131055	7.810	*131065	8.005
131078	8.200	131086	8.380
132827	7.825	131066	8.020
*131079	8.215	131087	8.410
131056	7.840	131067	8.035
131080	8.230	132835	8.425
132828	7.855	131068	8.050
131081	8.245	131088	8.440
131057	7.870	*131069	8.065
131082	8.260	132836	8.455
*132829	7.885	*131070	8.080
*132830	8.275	132837	8.485
131058	7.900	131071	8.095
131083	8.290	131089	8.470
131059	7.915	131072	8.110
*132831	8.305	131090	8.500
*131060	7.930	131073	8.125
131084	8.320		

\*These represent the most popular used spacers and each Bearing Spacer Kit contains qty 1 each.

## Spicer Wheel Differential Case Kits

### Wheel Differential Case Kit Reference Chart:

Kit Part-NO	Flange Half (A)	Plain Half (B)	(B) Plain Half Case Design	Ring Gear Bolts (C)
504134	139996	140004		
504135	139997	140003		131473
504136	139998	140002		(qty-16)
504137	139996	140003		Note - 504069
504138	139997	140002		Bolt Kit Contains
504139	139997	139999	DL	qty 16 of
504140	139997	140000	DL	
504141	139998	139999	DL	
504142	139996	140001	DL	
504143	139996	140000	DL	
504148	139998	140025	DL	

DL = Diff Lock Splined Diff Case

All new designed Plain Half diff cases now have "Lubrication Holes"

## Wheel Differential Case Kits

Dana Wheel Differential Cases are sold individually and in kit form. When doing ratio changes or replacing original diff cases from the field, check the individual part numbers you are replacing to ensure you are installing or ordering the correct parts. Be sure to know which model design is being worked on. Refer to the Model & Ratio chart matrix for case & kit part numbers.

Dana Model	Ratio	SERVICE KIT	Flange Half Case	Plain Half Case
D170 D170P S170E	3.07	504134	139996	140004
	3.21			
	3.42	504135	139997	140003
	3.58			
	3.73			
	3.91	504136	139998	140002
	4.10			
	4.30			
	4.56			
	4.78			
	5.25	504135	139997	140003
	5.38			
	5.57			
	6.14	504136	139998	140002
	6.83			
	7.17			

Each Dana Diff Case Service Kit contains 16 bolts, part number 131473



## Wheel Differential Case

Dana Model	Ratio	SERVICE KIT	Flange Half Case	Plain Half Case
S170S R170S	3.07	504137	139996	140003
	3.21			
	3.42	504135	139997	140003
	3.58			
	3.73	504137	139996	140003
	3.91			
	4.10			
	4.30			
	4.56	504136	139998	140002
	4.78			
	5.25			
	5.38			
	5.57			
	6.14	504138	139997	140002
	6.83			
7.17	504136	139998	140002	
D170D D170DP S170DE	3.07			
	3.21	504142	139996	140001
	3.42			
	3.58	504140	139997	140000
	3.73	504139	139997	139999
	3.91	504141	139998	139999
	4.10			
	4.30			
	4.56	504148	139998	140025
	4.78			
	5.25			
	5.38	504140	139997	140000
	5.57			
	6.14	504141	139998	139999
	6.83			
7.17	504148	139998	140025	

Each Dana Diff Case Service Kit contains 16 bolts, part number 131473

## Wheel Differential Case

Dana Model	Ratio	SERVICE KIT	Flange Half Case	Plain Half Case
S170D R170D S170DR	3.07	504143	139996	140000
	3.21	504140	139997	140000
	3.42			
	3.58			
	3.73	504143	139996	140000
	3.91	504141	139998	139999
	4.10	504148	139998	140025
	4.30			
	4.56			
	4.78			
	5.25			
	5.38			
	5.57	504139	139997	139999
	6.14			
	6.83			
7.17	504148	139998	140025	
D190 D190D S190E S190DE	3.42	504140	139997	140000
	3.58			
	3.73	504139	139997	139999
	3.91	504141	139998	139999
	4.10	504148	139998	140025
	4.30			
	4.56			
	4.78			
	5.25	504140	139997	140000
	5.38			
	5.57			
	6.14	504141	139998	139999
	6.83	504148	139998	140025
7.17				
7.83				

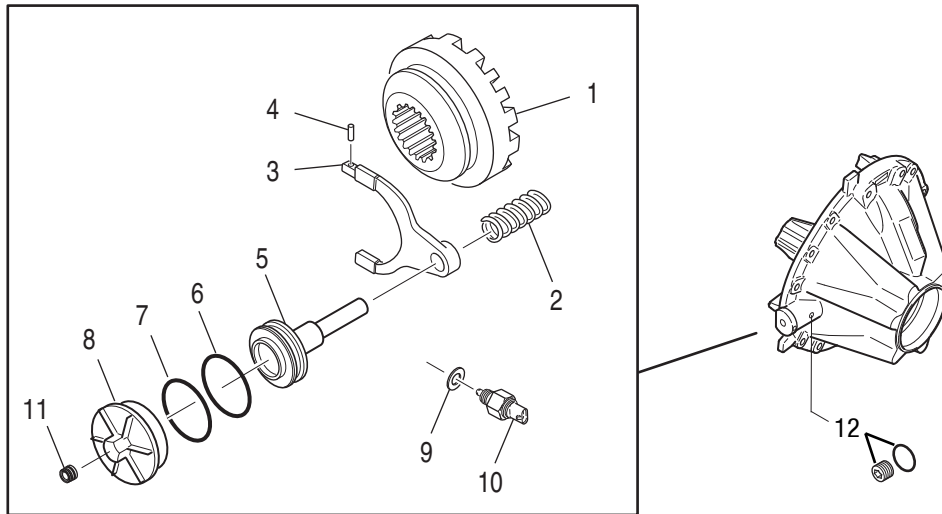
Each Dana Diff Case Service Kit contains 16 bolts, part number 131473

## Wheel Differential Case

Dana Model	Ratio	SERVICE KIT	Flange Half Case	Plain Half Case
R190 R190D S190 S190D S190R S190DR S190NS	2.53	504142	139996	140001
	2.69			
	2.87			
	2.93			
	3.07			
	3.21	504143	139996	140000
	3.42			
	3.58	504140	139997	140000
	3.73			
	3.91			
	4.10	504139	139997	139999
	4.30	504141	139998	139999
	4.56	504148	139998	140025
	4.78			
	5.25			
	5.38			
	5.57	504140	139997	140000
6.14	504139	139997	139999	
6.83	504148	139998	140025	
7.17				
7.83				
D590 D590D R590 S590 S590D	4.75	504140	139997	140000
	4.99			
	5.19	504139	139997	139999
	5.44	504141	139998	139999
	5.70	504148	139998	140025
	5.98			
	6.34			
	6.65	504140	139997	140000
	7.30			
	7.48			
	7.75			
	8.55	504141	139998	139999
	9.51	504148	139998	140025
9.97				
10.90				

Each Dana Diff Case Service Kit contains 16 bolts, part number 131473

## Differential Lock Shift Parts - All Models Made ON or AFTER June 10, 2013



WHEEL DIFFERENTIAL LOCK ASSEMBLY

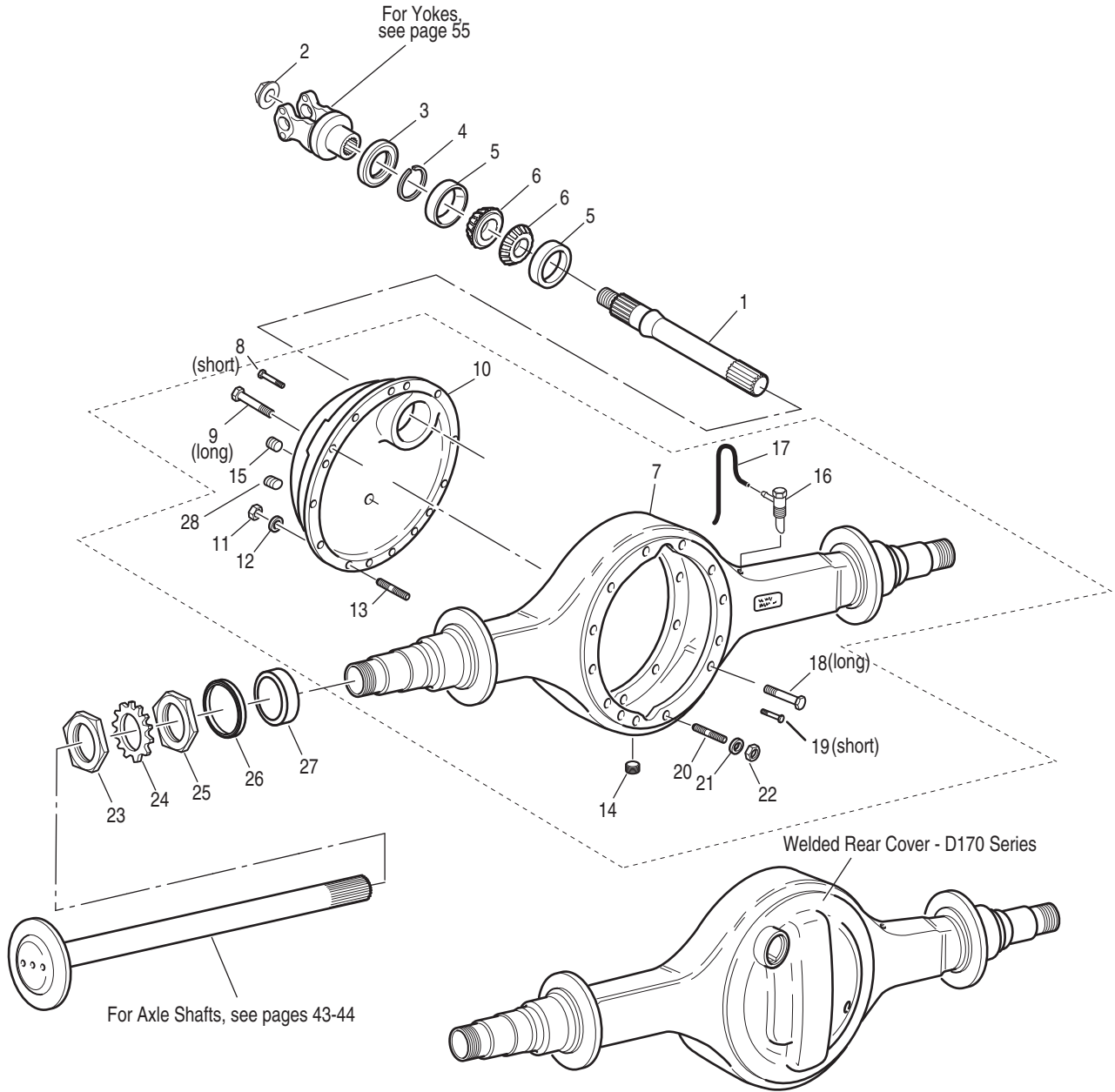
Item	Description	Qty	All Diff-Lock Models	Notes
<a href="#">Kit - Diff Lock Parts Conversion-190 Series (note 1)</a>			504097	Includes items 1-10
<a href="#">Kit - Diff Lock Cylinder Repair</a>			512895	Includes items 2, 5-8
1	Sliding Clutch	1	140024	
2	Spring-Compression	1	131102	
<a href="#">Kit - Shift Fork &amp; Pin</a>			504095	Includes items 3-4
3	Shift Fork-NSS	1	140008-nss	
4	Pin	1	210020	
5	Piston & Rod Assembly	1	134482	Will replace 131237 - note 2
6	O-Ring - Piston	1	210180	
7	O-Ring - Cap Cover	1	131665	Will replace 220HH102 - note 3
8	Piston Cover (Diff Lock Cap)	1	131096	
9	Washer	1	129034	
10	Switch	1	129035	
11	Plug - Carrier	1	127195	Use for Non Diff Lock Mdls
12	O-Ring & Plug Assy	1	131487	Use for Non Diff Lock Mdls

Note 1: The "170" Series carriers cannot be converted to Diff Lock. You must have the unique base carrier sub-assy that has the Diff Lock shift cylinder. You would need to purchase a replacement carrier. All "190" Series have the shift cylinder as part of the standard design.


Note 2: The 134482 and 131237 are completely interchangeable parts. Dana service will continue to use up the 131237 in kits until further notice.

Note 3: The 220HH102 is replaced by 131665. Parts are completely interchangeable and Dana service will continue to use up the 220HH102 in kits until further notice.

## Housing and Output Shaft Assembly Models Made ON or AFTER June 10, 2013



## Housing and Output Shaft Assembly Models Made ON or AFTER June 10, 2013

Item	Description	Qty	All Models	Notes
KIT - OUTPUT SHAFT		1	512894	Includes items 1-2
1	Output Shaft -NSS	1	131536-nss	Order Kit 512894
2	Output Shaft Nut	1	128049	
3	Output Seal	1	210737	
KIT - OUTPUT SHAFT BEARING		1	504060	Includes items 4-6
4	Snap Ring	1	134322	.109" x 4.22"
5	Bearing Cup	2	139978	
6	Bearing Cone	2	139977	
7	Axle Housing - Forward	1	See Axle Hsg Listing pg 36-39 - Refer to assy bill of material	
7	Axle Housing - Rear-Rear	1	See Axle Hsg Listing pg 36-39 - Refer to assy bill of material	
8	Rear Cover Capscrew - Short	4	131105	55 mm - D190 only (see kit chart pg 34)
9	Rear Cover Capscrew - Long	8	131375	70 mm - D190 only (see kit chart pg 34)
10a	KIT-D190 HOUSING COVER	1	504061	Cover # 302576-NSS - 12 hole (see chart pg-35)
10b	KIT-S190 HOUSING COVER	1	514322	Cover # 302704-NSS - 14 hole (see chart pg-35)
10c	KIT-S590 HOUSING COVER	1	504025	Cover # 302622-NSS - 12 hole (see chart pg-35)
11	Rear Cover Nut	2	127567	D190 only
12	Washer - Rear Cover	2	130877	D190 only
13	Stud - Double Ended	2	132927	D190 only - 80mm length
14	Drain Plug	1	054254	3/4" magnetic
15	Fill Plug	1	129492	3/4" magnetic - All Models 
KIT - U-TUBE BREATHER			507162	Includes items 16-17
16	Breather Assy-NSS	1	302706	Order kit 507162
17	Breather Hose & Clamp-NSS	1	129340	Order kit 507162
18	Carrier Capscrew - Long	A/R	131106	Carrier to housing (see kit chart pg 34) - 85mm
19	Carrier Capscrew - Short	A/R	131105	Carrier to housing (see kit chart pg 34) - 55mm
20	Stud - double ended	2	132927	Carrier to housing - 80mm length
21	Washer	2	130877	Carrier to housing
22	Nut	2	127567	Carrier to housing
23	Spindle Nut - Outer	2	119881	
24	Locking Ring	2	119883	
25	Spindle Nut - Inner	2	119882	
26	Oil Seal	1	304446	190 & 590 models only
27	Spindle Sleeve	1	304447	190 & 590 models only
28	Temperature Sensor Plug	1	90898	1/2" magnetic - All Models
29	Loctite Adhesive .5ml tube	1	129293	Item not illustrated
30	RTV Sealant - 3oz	1	107276S	Item not illustrated

## Summary of Axle Housing Related Service Kits

Description	Kit Part-No.	Notes
Output Shaft Bearing Kit-Current Builds	504060	Includes items 4-6
Output Shaft Kit	512894	Includes items 1 and 2
D-Housing Cover Hardware Kit	513351	Includes items 8-9, 11-12
Axle Housing Hardware Kit - Forward	512896	Includes items 18-22, 26-27
Axle Housing Hardware Kit - Rear	512897	Includes items 18-19, 26-27
U-Tube Breather Kit	507162	Includes items 16 and 17

## Axle Housing Fastener Hardware Kits

### D-Housing Cover or Bolt-On Cover Fastener Kit

**Model: D190, S190, D590, S590, R590**

**Dana# 513351**

Qty	P/N	Description
4	131105	Capscrew - 55mm
8	131375	Capscrew - 70mm
2	132927	Stud - dbl ended
2	127567	Nut
2	130877	Washer
1	129293	Loctite Adhesive .5ml tube
1	107276S	RTV Sealant - 3oz

### Carrier-To-Housing Fastener Kit

**Models: D170, D190, S190DE, S590, R590**

**Dana# 512896**

Qty	P/N	Description
9	131105	Capscrew - 55mm
3	131106	Capscrew - 85mm
2	132927	Stud - dbl ended
2	127567	Nut
2	130877	Washer
1	129293	Loctite Adhesive .5ml tube
1	107276S	RTV Sealant - 3oz

### Carrier-To-Housing Fastener Kit

**Models: R170, R190, S170, S190**

**Dana# 512897**

Qty	P/N	Description
10	131105	Capscrew - 55mm
4	131106	Capscrew - 85mm
1	129293	Loctite Adhesive .5ml tube

## AXLE HOUSING COVER KITS

The D190, S190 & S590 models have a bolt on axle housing covers, shown below are the kit contents.

### D190 - AXLE HSG COVER & BRG PARTS KIT: 504061

Item	Description	Qty Per Axle	Part-No.	Notes
1	COVER - AXLE HOUSING	1	134324	
2	PLUG - COVER	1	90898	1/2"
3	PLUG - LUBE FILL	1	129492	3/4" non magnetic
4	BEARING CONE	2	139977	
5	SNAP RING .109"	1	134322	
6	BEARING CUP	2	139978	

### S190 - AXLE HSG COVER KIT: 514322

Item	Description	Qty Per Axle	Part-No.	Notes
1	COVER - AXLE HOUSING	1	302704	(cover not illustrated) S190 mdl's only
2	PLUG - COVER	1	90898	1/2"
3	PLUG - LUBE FILL	1	129492	3/4" non magnetic
7	CAPSCREW - LONG	8	131375	70mm
8	CAPSCREW - SHORT	6	131105	55mm
9	WASHER	14	130877	

### S590 - AXLE HSG COVER KIT: 504025

Item	Description	Qty Per Axle	Part-No.	Notes
1	COVER - AXLE HOUSING	1	302622	(cover not illustrated) S590 mdl's only
2	PLUG - COVER	1	90898	1/2"
3	PLUG - LUBE FILL	1	129492	3/4" non magnetic



## D/R170 Most Popular Bare Axle Housings

Model	Original Production Part No.	For Service Order Part No.	Wall Thickness (mm)	Trac Length	Replaces Old Service Part No.	Misc Design Notes
D170	324252	<b>324252</b>	12.5	2078	321981	no abs blocks
	324275	<b>324275</b>	12.5	2078	-----	has abs blocks (0 deg location)
	324270	<b>324270</b>	16	2078	322891	has abs blocks (0 deg location)
	324290	<b>324290</b>	16	2078	-----	has abs blocks (90 deg location)
	324271	<b>324271</b>	16	2222	322895	has abs blocks (0 deg location)
R170, S170	322484-nss	<b>322485</b>	11	2078	-----	no abs blocks
	323301-nss	<b>322703</b>	12.5	2078	-----	has abs blocks (0 deg location)
	322968-nss	<b>322969</b>	16	2078	-----	has abs blocks (0 deg location)
	322896-nss	<b>322897</b>	16	2222	-----	has abs blocks (0 deg location)

nss = not sold separately

## D170 AXLE HOUSING REPLACEMENT CHART

Current Production Part No.	For Service Order Part No.	Wall Thickness (mm)	Trac Length	ABS Blocks	Torque Rod Bracket or Tracking Rod Brackets	Hanger Brackets	Misc Design Notes
324252	<b>324252</b>	12.5	2078				
324253	<b>324270</b>	16	2078				
324254	<b>324252</b>	11	2078				
324255	call dana	12.5	2078		x	x	
324256	call dana	12.5	2078		x	x	
324257	call dana	12.5	2078		x		
324258	call dana	12.5	2078		xx	x	
324259	<b>324259</b>	16	2078			x	
324260	call dana	16	2078			x	
324261	call dana	12.5	2078		x		
324262	<b>324262</b>	12.5	2078		x		
324263	call dana	11	2078		x		
324264	call dana	11	2078		x		
324265	<b>324265</b>	11	2078		x		
324266	<b>324266</b>	12.5	2078			x	
324267	call dana	12.5	2078		x	x	
324268	call dana	12.5	2078		xx	x	
324269	<b>324252</b>	11	2078				
324270	<b>324270</b>	16	2078	x			
324271	<b>324271</b>	16	2222	x			
324272	<b>324272</b>	16	2222			x	
324273	call dana	16	2078	x		x	
324274	call dana	16	2222	x		x	
324275	<b>324275</b>	12.5	2078	x			
324276	<b>324276</b>	12.5	2078		x		
324277	<b>324277</b>	12.5	2078		x		
324278	<b>324278</b>	16	2078		x		
324279	<b>324279</b>	16	2078		x	x	

**D170 AXLE HOUSING REPLACEMENT CHART (Continued)**

Current Production Part No.	For Service Order Part No.	Wall Thickness (mm)	Trac Length	ABS Blocks	Torque Rod Bracket or Tracking Rod Brackets	Hanger Brackets	Misc Design Notes
324280	call dana	16	2078		x		
324281	<b>324252</b>	12.5	2078				
324282	call dana	12.5	2078			x	
324283	<b>324270</b>	16	2078				
324284	<b>324284</b>	16	2078		x	x	
324285	<b>324271</b>	16	2222				
324286	<b>324275</b>	11	2078	x			
324287	call dana	11	2078		x		
324288	call dana	11	2078		x		
324289	call dana	16	2078	x			
324290	<b>324290</b>	16	2078	x			
324291	<b>324291</b>	16	2078			x	
324292	<b>324252</b>	11	2078				
324293	<b>324271</b>	16	2222				
324294	call dana	16	2222		x	x	
324295	call dana	16	2222		x	x	
324296	<b>324270</b>	16	2078				
324297	<b>324297</b>	12.5	2078		x		
324298	<b>324298</b>	16	2078		x		
324299	call dana	11	2078		x		
324300	<b>324252</b>	12.5	2078				
324301	call dana	12.5	2078				unique flg dia.
324302	call dana	12.5	2078	x	xx	x	
324303	call dana	12.5	2078	x	xx	x	
324304	call dana	16	2078	x	xx	x	
324305	call dana	16	2078	x	xx	x	
324306	call dana	16	2222	x	xx	x	
324307	call dana	16	2222	x	xx	x	
324308	call dana	12.5	2078	x	x	x	
324309	call dana	16	2078	x		x	
324310	call dana	11	2078			x	
324311	<b>324270</b>	16	2078				
324312	<b>324312</b>	16	2078		x	x	
324313	call dana	16	2078		x		
324314	<b>324314</b>	12.5	2078			x	
324315	call dana	16	2078		x	x	
324316	<b>324316</b>	12.5	2078			x	
324317	call dana	11	2078			x	
324318	call dana	16	2222		x	x	
324319	call dana	16	2078	x	x	x	
324320	<b>324320</b>	12.5	2078	x	x	x	
324321	call dana	16	2078			x	
324322	call dana	16	2078	x	x	x	

Torque Rod

## Axle Housings

Current Production Part No.	For Service Order Part No.	Wall Thickness (mm)	Trac Length	ABS Blocks	Bracket or Tracking Rod Brackets	Hanger Brackets	Misc Design Notes
324323	<b>324252</b>	11	2078				
324324	<b>324324</b>	16	2078			X	
324325	call dana	12.5	2078		XX	X	
324326	<b>324326</b>	16	2078		XX	X	
324327	<b>324327</b>	16	2222			X	
324328	call dana	12.5	2078	X	X		
324329	call dana	16	2078	X	X		
324330	call dana	11	2078			X	
324331	call dana	16	2078		X	X	
324332	call dana	12.5	2078	X	XX	X	
324333	call dana	12.5	2078		X	X	
324334	<b>324271</b>	16	2222				
324335	call dana	16	2222		X	X	
324336	call dana	16	2078		X		
324337	call dana	16	2078		X		
324338	<b>324338</b>	12.5	2078	X		X	
324339	call dana	16	2222			X	
324340	call dana	12.5	2078	X		X	
324341	call dana	16	2222			X	
324342	<b>324342</b>	12.5	2078		X		
324343	<b>324343</b>	16	2222			X	
324344	call dana	11	2078		X		
324345	call dana	16	2078			X	
324346	call dana	11	2078		X		
324347	call dana	12.5	2078			X	
324348	call dana	16	2222		X		
324349	call dana	16	2078	X		X	
324350	call dana	16	2078	X	XX	X	
324351	call dana	12.5	2078		X		
324352	call dana	11	2078	X	XX	X	
324353	call dana	11	2078	X	XX	X	
324354	call dana	12.5	2078	X	XX	X	
324355	call dana	12.5	2078	X	XX	X	
324356	call dana	16	2078	X	XX	X	
324357	call dana	16	2078	X	XX	X	
324358	call dana	16	2222	X	XX	X	
324359	call dana	16	2222	X	XX	X	
324360	call dana	11	2078		XX	X	
324361	call dana	11	2078		XX	X	
324362	call dana	12.5	2078		XX	X	
324363	call dana	12.5	2078		XX	X	
324364	call dana	16	2078		XX	X	
324365	call dana	16	2078		XX	X	
324366	call dana	16	2222		XX	X	
324367	call dana	16	2222		XX	X	

## R170/S170 AXLE HOUSING REPLACEMENT CHART

Current Production Part No.	For Service Order Part No.	Wall Thickness (mm)	Trac Length	ABS Blocks	Torque Rod Bracket or Tracking Rod Brackets	Hanger Brackets	Misc Design Notes
322484	<b>322485</b>	11	2078				bare service hsg
322648	<b>322649</b>	12.5	2078			x	
322748	<b>322749</b>	12.5	2078		x		
322756	<b>322757</b>	11	2078		x		
322866	<b>322867</b>	11	2078		x		
322892	<b>322892</b>	16	2078	x			abs block offset
322896	<b>322897</b>	16	2222	x			
322900	<b>322901</b>	16	2222			x	
322904	<b>322905</b>	16	2078	x		x	
322936	<b>322937</b>	11	2078	x			
322958	<b>322959</b>	12.5	2078	x	x		
322962	<b>322963</b>	12.5	2078	x	x		
322966	<b>322967</b>	12.5	2078	x	x	x	
322968	<b>322969</b>	16	2078	x			
322972	<b>322973</b>	16	2078	x	x		
322976	<b>322977</b>	16	2078	x	x	x	
323270	<b>323271</b>	11	2078	x			roll over design
323301	<b>322703</b>	12.5	2078	x			
323341	<b>502003</b>	11	2078	x	x		
323391	<b>502074</b>	12.5	2078				roll over design
323392	<b>323392</b>	16	2078				roll over design
323411	<b>502054</b>	16	2078	x		x	
323436	<b>323436</b>	16	2078		x		
323440	<b>502017</b>	12.5	2078			x	
323456	<b>502014</b>	16	2078		x	x	
323458	<b>502065</b>	12.5	2078			x	
323471	<b>502059</b>	12.5	2078			x	
323509	<b>502009</b>	16	2078	x	x	x	
323533	<b>502064</b>	16	2078		x	x	
323534	<b>323059</b>	16	2078	x			
323562	<b>502021</b>	16	2222			x	
323575	<b>323575</b>	11	2078		x		
323664	<b>502080</b>	12.5	2078		x		
323790	<b>323790</b>	12.5	2078		x		
323885	<b>502067</b>	12.5	2078	x		x	
323919	<b>323919</b>	12.5	2078		x		roll over design
323923	<b>323923</b>	16	2078		x	x	
323977	<b>502084</b>	16	2222			x	

## Axle Shafts

Dana 170/190 series axle shafts are used in “sets,” and are shown as sets in the chart below. They have unequal shaft lengths and are “location specific” and/or “Wheel Equipment specific.” When replacing the axle shafts, locate the axle shaft part number in the chart or select the correct axle shaft using the dimensional information. Always verify part numbers before placing your order.

DO NOT MISPLACE AXLE SHAFTS FROM THEIR INTENDED LOCATION.

### Axle Shafts - For Standard Models

Part No.	Qty	Spline	Body O.D.	Shaft Length	Spline Length	BC Dim.	Flange O.D.	Flange Holes
<b>Models: D/R170, S170, S190(note 1)</b>								
131428	1	46	2.06	37.000	3.70	7.000	8.500	.948-TPR
131429	1	46	2.06	46.000	3.70	7.000	8.500	.948-TPR
131804	1	46	2.06	45.150	3.70	7.000	8.500	.773-STR
131805	1	46	2.06	36.150	3.70	7.000	8.500	.773-STR
<b>Models: D/R190, S190, D/S590, S170E, S190E</b>								
131246	1	46	2.25	37.000	3.70	7.000	8.500	.948-TPR
131247	1	46	2.25	46.000	3.70	7.000	8.500	.948-TPR
131516	1	46	2.25	45.150	3.70	7.000	8.500	.948-TPR
131517	1	46	2.25	37.716	3.70	7.000	8.500	.948-TPR

Note 1: In some Dana approved S21-190 and S23-190 single axle applications, 2.06" body diameter axle shafts are used. Always check the part number on the axle shaft or oem axle bom before ordering replacement parts. Always use Dana Genuine OE approved parts for the applications they were intended.

### Axle Shaft - For Diff Lock Models

Part No.	Qty	Spline	Body O.D.	Shaft Length	Spline Length	BC Dim.	Flange O.D.	Flange Holes
<b>Models: D/R170D, S170D, D/R190D, S190D, D590D, S590D, S190DE</b>								
131245	1	46	2.25	46.000	11.50	7.000	8.500	.948-TPR
131246	1	46	2.25	37.000	3.70	7.000	8.500	.948-TPR
131740	1	46	2.25	45.150	11.50	7.000	8.500	.948-TPR
131741	1	46	2.25	36.150	3.70	7.000	8.500	.948-TPR
131719	1	46	2.25	47.150	11.50	7.244	8.500	.948-TPR
131720	1	46	2.25	38.425	3.70	7.244	8.500	.948-TPR
131806	1	46	2.25	45.150	11.50	7.000	8.500	.773-STR
131807	1	46	2.25	36.150	3.70	7.000	8.500	.773-STR

## Axle Shaft - Wide Track Models

Part No.	Qty	Spline	Body O.D.	Shaft Length	Spline Length	BC Dim.	Flange O.D.	Flange Holes
<b>Models: D/R170D, S170D, D/R190D, S190D, D590D, S590D, S190DE</b>								
131503	1	46	2.25	48.835	11.50	7.000	8.500	.948-TPR
131504	1	46	2.25	39.835	3.70	7.000	8.500	.948-TPR
131717	1	46	2.25	46.949	11.50	7.244	8.500	.948-TPR
131718	1	46	2.25	38.898	3.70	7.244	8.500	.948-TPR
131721	1	46	2.25	48.425	11.50	7.244	8.500	.948-TPR
131722	1	46	2.25	39.331	3.70	7.244	8.500	.948-TPR
131721	1	46	2.25	48.425	11.50	7.244	8.500	.948-TPR
131723	1	46	2.25	40.394	3.70	7.244	8.500	.948-TPR
131724	1	46	2.25	50.945	11.50	7.244	8.500	.948-TPR
131725	1	46	2.25	42.894	3.70	7.244	8.500	.948-TPR
131726	1	46	2.25	53.445	11.50	7.244	8.500	.948-TPR
131727	1	46	2.25	45.394	3.70	7.244	8.500	.948-TPR
131750	1	46	2.25	49.291	11.50	7.244	8.500	.948-TPR
131751	1	46	2.25	40.196	3.70	7.244	8.500	.948-TPR
134052	1	46	2.25	50.154	11.50	7.000	8.500	.948-TPR
134054	1	46	2.25	41.154	3.70	7.000	8.500	.948-TPR

Note 2: When doing "Upgrades" from Non-Diff Lock applications to "Diff Lock" in the 170 series, both axle shafts must be replaced by the 2.25" body diameter design, refer to the chart to select the correct axle shafts.

## Service Carrier Part Numbers - All Models

### D170(P) - Standard Carrier

17.7" Ring Gear Diameter  
Side Gear # 300GD101

These new carrier units directly replace tandem forward models D40-170(P), D46-170(P), and D46-170H(P) with no modifications.

Ratio	Side Gear Spline	Non-Pump New Carrier	Pump New Carrier	Notes
3.07	46 Inv	683000	683034	
3.21	46 Inv	683001	683035	
3.42	46 Inv	683003	683037	
3.58	46 Inv	683004	683038	
3.73	46 Inv	683005	683039	
3.91	46 Inv	683006	683040	
4.10	46 Inv	683007	683041	
4.30	46 Inv	683008	683042	
4.56	46 Inv	683009	683043	
4.78	46 Inv	683010	683044	
5.25	46 Inv	683011	683045	
5.38	46 Inv	683012	683046	
5.57	46 Inv	683013	683047	
6.14	46 Inv	683014	683048	
6.83	46 Inv	683015	683049	
7.17	46 Inv	683016	683050	

### R170 - Standard Carrier and No Spin Carrier

17.7" Ring Gear Diameter  
Side Gear # 300GD101  
No Spin # 131882

Note: Drive Axle Tag may read R46-170, S23-170

These new carrier units directly replace tandem rear-rear models R40-170, R46-170, and single axle models S21-170, S23-170, and S26-170 with no modifications.

Ratio	Side Gear Spline	New Service Carrier	No Spin Service Carrier
3.07	46 Inv	683183	683519
3.21	46 Inv	683184	683520
3.42	46 Inv	683186	683521
3.58	46 Inv	683187	683522
3.73	46 Inv	683188	683523
3.91	46 Inv	683189	683524
4.10	46 Inv	683190	683525
4.30	46 Inv	683191	683408
4.56	46 Inv	683192	683409
4.78	46 Inv	683193	683410
5.25	46 Inv	683194	683411
5.38	46 Inv	683252	683412
5.57	46 Inv	683253	683382
6.14	46 Inv	683254	683413
6.83	46 Inv	683255	683414
7.17	46 Inv	683256	683526

### D170D(P) - Diff Lock Carrier

17.7" Ring Gear Diameter  
Side Gear # 300GD101

These new carrier units will directly replace tandem forward models D40-170D(P), D46-170D(P), and D46-170DH(P) with no modifications.

Ratio	Side Gear Spline	Non-Pump New Carrier	Pump New Carrier	Notes
3.07	46 Inv	683017	683051	
3.21	46 Inv	683018	683052	
3.42	46 Inv	683020	683054	
3.58	46 Inv	683021	683055	
3.73	46 Inv	683022	683056	
3.91	46 Inv	683023	683057	
4.10	46 Inv	683024	683058	
4.30	46 Inv	683025	683059	
4.56	46 Inv	683026	683060	
4.78	46 Inv	683027	683061	
5.25	46 Inv	683028	683062	
5.38	46 Inv	683029	683063	
5.63	46 Inv	683030	683064	
6.14	46 Inv	683031	683065	
6.83	46 Inv	683032	683066	
7.17	46 Inv	683033	683067	

### R170D - Diff Lock Carrier

17.7" Ring Gear Diameter  
Side Gear # 300GD101

Note: Drive Axle Tag may read R46-170D or S23-170D

These new carrier units directly replace tandem rear-rear models R40-170D, R46-170D, and single axle models S21-170D and S23-170D with no modifications.

Ratio	Side Gear Spline	New Service Carrier	Notes
3.07	46 Inv	683198	
3.21	46 Inv	683199	
3.42	46 Inv	683201	
3.58	46 Inv	683202	
3.73	46 Inv	683203	
3.91	46 Inv	683204	
4.10	46 Inv	683205	
4.30	46 Inv	683206	
4.56	46 Inv	683207	
4.78	46 Inv	683208	
5.25	46 Inv	683209	
5.38	46 Inv	683257	
5.57	46 Inv	683258	
6.14	46 Inv	683259	
6.83	46 Inv	683260	
7.17	46 Inv	683261	



### D190 - Standard Carrier

18.50" Ring Gear Diameter  
Side Gear # 300GD101

These new carrier units will directly replace tandem forward models D52-190, and D60-190 with no modifications. See Note 2.

Ratio	Side Gear Spline	New Service Carrier	Notes
3.42	46 Inv	683068	
3.58	46 Inv	683069	
3.73	46 Inv	683070	
3.91	46 Inv	683071	
4.10	46 Inv	683072	
4.30	46 Inv	683073	
4.56	46 Inv	683074	
4.78	46 Inv	683075	
5.25	46 Inv	683076	
5.38	46 Inv	683077	
5.57	46 Inv	683078	
6.14	46 Inv	683079	
6.83	46 Inv	683080	
7.17	46 Inv	683081	

### R190 - Standard Carrier and No Spin Carrier

18.50" Ring Gear Diameter  
Side Gear # 300GD101

Note: Drive Axle Tag may read R46-190 or S23-190

These new carrier units will directly replace tandem rear rear models R46-190, R52-190, and single axle models S23-190, S26-190, and S30-190 with no modifications.

Ratio	Side Gear Spline	New Service Carrier	No Spin Service Carrier
2.53	46 Inv	683288	
2.69	46 Inv	683210	683527
2.87	46 Inv	683211	683528
2.93	46 Inv	683212	683529
3.07	46 Inv	683213	683530
3.21	46 Inv	683214	683531
3.42	46 Inv	683216	683532
3.58	46 Inv	683217	683533
3.73	46 Inv	683218	683534
3.91	46 Inv	683219	683535
4.10	46 Inv	683220	683536
4.30	46 Inv	683221	683537
4.56	46 Inv	683222	683538
4.78	46 Inv	683223	683539
5.25	46 Inv	683224	683540
5.38	46 Inv	683225	683415
5.57	46 Inv	683226	683416
6.14	46 Inv	683227	683417
6.83	46 Inv	683228	683418
7.17	46 Inv	683229	683541
7.83	46 Inv	683230	683542

Note: Dana D190 Forward models come standard with lube pump. Serial tags for production axles may not carry the traditional "P" designation in the model identifier.

### D190D - Diff Lock Carrier

**18.50" Ring Gear Diameter**  
**Side Gear # 300GD101**

These new carrier units will directly replace tandem forward models D52-190D with no modifications.

Ratio	Side Gear Spline	New Service Carrier	Notes
3.42	46 Inv	683082	
3.58	46 Inv	683083	
3.73	46 Inv	683084	
3.91	46 Inv	683085	
4.10	46 Inv	683086	
4.30	46 Inv	683087	
4.56	46 Inv	683088	
4.78	46 Inv	683089	
5.25	46 Inv	683090	
5.38	46 Inv	683091	
5.57	46 Inv	683092	
6.14	46 Inv	683093	
6.83	46 Inv	683094	
7.17	46 Inv	683095	

### R190D - Rear Rear w/ Diff Lock

**18.50" Ring Gear Diameter**  
**Side Gear #300GD101**

Note: Drive Axle Tag may read R46-190D or S23-190D

These new carrier units will directly replace tandem forward models R46-190D, R52-190D, and single axle models S23-190D, S26-190D, and S30-190D with no modifications.

Ratio	Side Gear Spline	New Service Carrier	Notes
2.53	46 Inv	683478	
2.69	46 Inv	683231	
2.87	46 Inv	683232	
2.93	46 Inv	683233	
3.07	46 Inv	683234	
3.21	46 Inv	683235	
3.31	46 Inv	683236	
3.42	46 Inv	683237	
3.58	46 Inv	683238	
3.73	46 Inv	683239	
3.91	46 Inv	683240	
4.10	46 Inv	683241	
4.30	46 Inv	683242	
4.56	46 Inv	683243	
4.78	46 Inv	683244	
5.25	46 Inv	683245	
5.38	46 Inv	683246	
5.57	46 Inv	683247	
6.14	46 Inv	683248	
6.83	46 Inv	683249	
7.17	46 Inv	683250	
7.83	46 Inv	683251	

Note: Dana D190D Forward models with Diff Lock come standard with lube pump. Serial tags for production axles may not carry the traditional "P" designation in the model identifier.

### S170R - Retarder Ready Carrier

17.7" Ring Gear Diameter  
Side Gear # 300GD101

These new carrier units directly replace single axle models S23-170R, S26-170R and S30-170R with no modifications.

Ratio	Side Gear Spline	New Carrier	Notes
5.25	46 Inv	683349	

### S170DBC - Diff lock w/GenTech™ Quiet Gearing

17.7" Ring Gear Diameter  
Side Gear # 300GD101

These new carrier units directly replace single axle models S21-170DBC, S23-170DBC, S25-170DBC with no modifications.

Ratio	Side Gear Spline	New Carrier	Notes
4.30	46 Inv	683501	
4.78	46 Inv	683502	

### S170BC - GenTech™ Quiet Gearing

17.7" Ring Gear Diameter  
Side Gear # 300GD101

These new carrier units directly replace single axle models S21-170BC, S23-170BC, S25-170BC with no modifications.

Ratio	Side Gear Spline	New Carrier	Notes
4.30	46 Inv	683394	
4.78	46 Inv	683500	

### S170DR - Diff Lock w/Retarder Ready Option Carrier

17.7" Ring Gear Diameter  
Side Gear # 300GD101

These new carrier units directly replace single axle models S23-170DR, S26-170DR and S30-170DR with no modifications.

Ratio	Side Gear Spline	New Carrier	Notes
5.25	46 Inv	683350	

**S190R - Retarder Ready Option Carrier**

**18.50" Ring Gear Diameter**  
**Side Gear # 300GD101**

These new carrier units will directly replace single axle models S30-190R with no modifications.

Ratio	Side Gear Spline	New Carrier	Notes
3.07	46 Inv	683543	
3.21	46 Inv	683544	
3.42	46 Inv	683545	
3.58	46 Inv	683546	
3.73	46 Inv	683547	
3.91	46 Inv	683548	
4.10	46 Inv	683549	
4.30	46 Inv	683550	
4.56	46 Inv	683551	
4.78	46 Inv	683552	
5.25	46 Inv	683553	
5.38	46 Inv	683554	
5.57	46 Inv	683479	
6.14	46 Inv	683556	

**S190DR - Diff Lock w/Retarder Ready Option Carrier**

**18.50" Ring Gear Diameter**  
**Side Gear # 300GD101**

These new carrier units will directly replace single axle models S30-190DR with no modifications.

Ratio	Side Gear Spline	New Carrier	Notes
3.07	46 Inv	683593	
3.21	46 Inv	683594	
3.42	46 Inv	683595	
3.58	46 Inv	683596	
3.73	46 Inv	683597	
3.91	46 Inv	683598	
4.10	46 Inv	683599	
4.30	46 Inv	683600	
4.56	46 Inv	683601	
4.78	46 Inv	683602	
5.25	46 Inv	683603	
5.38	46 Inv	683604	
5.57	46 Inv	683605	
6.14	46 Inv	683592	

**D590 - Double Reduction Carrier**

**18.50" Ring Gear Diameter**  
**Side Gear # 300GD101**

These new carrier units will directly replace forward models D46-590, D52-590, D60-590, D70-590 with no modifications.

Ratio	Side Gear Spline	New Carrier	Notes
4.75	46 Inv	683096	
4.99	46 Inv	683097	
5.19	46 Inv	683098	
5.44	46 Inv	683099	
5.70	46 Inv	683100	
5.98	46 Inv	683101	
6.34	46 Inv	683102	
6.65	46 Inv	683103	
7.30	46 Inv	683104	
7.48	46 Inv	683105	
7.75	46 Inv	683106	
8.55	46 Inv	683107	
9.51	46 Inv	683108	
9.97	46 Inv	683109	
10.90	46 Inv	683419	

**D590D - Double Reduction w/Diff Lock Carrier**

**18.50" Ring Gear Diameter**  
**Side Gear # 300GD101**

These new carrier units will directly replace forward models D52-590D, D60-590D and D70-590D with no modifications.

Ratio	Side Gear Spline	New Carrier	Notes
4.75	46 Inv	683110	
4.99	46 Inv	683111	
5.19	46 Inv	683112	
5.44	46 Inv	683113	
5.70	46 Inv	683114	
5.98	46 Inv	683115	
6.34	46 Inv	683116	
6.65	46 Inv	683117	
7.30	46 Inv	683118	
7.48	46 Inv	683119	
7.75	46 Inv	683120	
8.55	46 Inv	683121	
9.51	46 Inv	683122	
9.97	46 Inv	683123	
10.90	46 Inv	683608	

### S590 - Double Reduction Carrier

**18.50" Ring Gear Diameter**

**Side Gear # 300GD101**

These are "Forward" carrier units by design. These carriers will directly replace single axle models called out as; S23-590, S26-590, S30-590, S35-590 and replace tandem models called out as; R46-590, R52-590, R60-590, R70-590 with no modifications.

Ratio	Side Gear Spline	New Carrier	Notes
4.75	46 Inv	683152	
4.99	46 Inv	683153	
5.19	46 Inv	683154	
5.44	46 Inv	683155	
5.70	46 Inv	683156	
5.98	46 Inv	683157	
6.34	46 Inv	683158	
6.65	46 Inv	683159	
7.30	46 Inv	683160	
7.48	46 Inv	683161	
7.75	46 Inv	683162	
8.55	46 Inv	683163	
9.51	46 Inv	683164	
9.97	46 Inv	683165	
10.90	46 Inv	683276	

### S590D - Double Reduction with Diff Lock Carrier

**18.50" Ring Gear Diameter**

**Side Gear # 300GD101**

These are "Forward" carrier units by design. These carrier units will directly replace single axle models called out as; S23-590D, S26-590D, S30-590D and S35-590D and replace models called out as; R52-590D, R60-590D, R70-590D with no modifications.

Ratio	Side Gear Spline	New Carrier	Notes
4.75	46 Inv	683166	
4.99	46 Inv	683167	
5.19	46 Inv	683168	
5.44	46 Inv	683169	
5.70	46 Inv	683564	
5.98	46 Inv	683621	
6.34	46 Inv	683391	
6.65	46 Inv	683393	
7.30	46 Inv	683565	
7.48	46 Inv	683566	
7.75	46 Inv	683567	
8.55	46 Inv	683392	
9.51	46 Inv	683568	
9.97	46 Inv	683569	
10.90	46 Inv	683277	

## Single Axle - High Entry Carriers

### S170E - High Entry Carrier

17.7" Ring Gear Diameter  
Side Gear # 300GD101

These are "Forward" carrier units by design. These carrier units directly replace single axle models called out as; S21-170E, S23-170E with no modifications.

Ratio	Side Gear Spline	New Carrier	Notes
3.07	46 Inv	683483	
3.21	46 Inv	683484	
3.42	46 Inv	683486	
3.58	46 Inv	683487	
3.73	46 Inv	683488	
3.91	46 Inv	683489	
4.10	46 Inv	683490	
4.30	46 Inv	683491	
4.56	46 Inv	683492	
4.78	46 Inv	683493	
5.25	46 Inv	683494	
5.38	46 Inv	683495	
5.57	46 Inv	683496	
6.14	46 Inv	683497	
6.83	46 Inv	683498	
7.17	46 Inv	683499	

### S170DE - High Entry with Diff lock Carrier

17.7" Ring Gear Diameter  
Side Gear # 300GD101

These are "Forward" carrier units by design. These carrier units directly replace single axle models called out as; S21-170DE, S23-170DE with no modifications.

Ratio	Side Gear Spline	New Carrier	Notes
3.07	46 Inv	683503	
3.21	46 Inv	683504	
3.42	46 Inv	683505	
3.58	46 Inv	683506	
3.73	46 Inv	683507	
3.91	46 Inv	683508	
4.10	46 Inv	683509	
4.30	46 Inv	683510	
4.56	46 Inv	683511	
4.78	46 Inv	683512	
5.25	46 Inv	683513	
5.38	46 Inv	683514	
5.57	46 Inv	683515	
6.14	46 Inv	683516	
6.83	46 Inv	683517	
7.17	46 Inv	683518	

### S190E - High Entry Carrier

**18.50" Ring Gear Diameter**  
**Side Gear # 300GD101**

These are "Forward" units by design. These carrier units will directly replace single axle models called out as; S23-190E, S26-190E and S30-190E with no modifications.

Ratio	Side Gear Spline	New Carrier	Notes
3.42	46 Inv	683556	
3.58	46 Inv	683125	
3.73	46 Inv	683557	
3.91	46 Inv	683558	
4.10	46 Inv	683559	
4.30	46 Inv	683560	
4.56	46 Inv	683130	
4.78	46 Inv	683131	
5.25	46 Inv	683561	
5.38	46 Inv	683133	
5.57	46 Inv	683134	
6.14	46 Inv	683135	
7.17	46 Inv	683137	
7.83	46 Inv	683563	

### S190DE - High Entry with Diff Lock Carrier

**18.50" Ring Gear Diameter**  
**Side Gear # 300GD101**

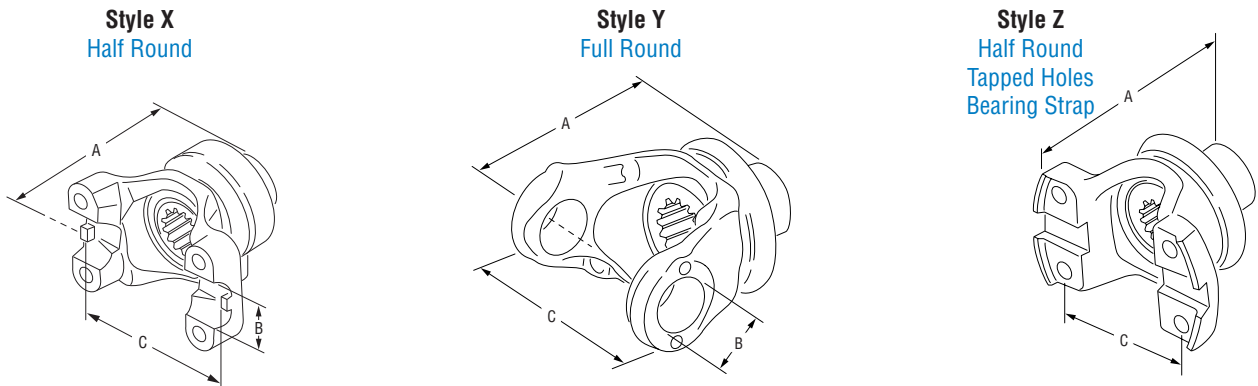
These are "Forward" units by design. These carrier units directly replace single axle models called out as: S23-190DE, S26-190DE and S30-190DE with no modifications.

Ratio	Side Gear Spline	New Carrier	Notes
3.42	46 Inv	683138	
3.58	46 Inv	683139	
3.73	46 Inv	683140	
3.91	46 Inv	683141	
4.10	46 Inv	683142	
4.30	46 Inv	683143	
4.56	46 Inv	683144	
4.78	46 Inv	683145	
5.25	46 Inv	683146	
5.38	46 Inv	683147	
5.57	46 Inv	683148	
6.14	46 Inv	683149	
6.83	46 Inv	683150	
7.17	46 Inv	683151	



## Yokes & Flanges

To replace the driveline yoke on any of the Dana D170/190, R170/190 or S190 series choose from the chart below. Each Yoke Replacement kit below includes a new pinion nut along with very important installation instructions and torque figures.



### Input Yoke and Slinger Assembly - 49 Inv Spline

Driveshaft Part Number	Pinion Nut	Series	Joint Angle	Type	Production Reference Numbers
131447K *	131095	1810	30°	Half Rd.	6.5-4-5101-1
131448K *	131095	1810	30°	Full Rd.	6.5-4-5101
131446K *	131095	SPL250	25°	Half Rd.	250-4-1031-1
131520K	131095	1760	30°	Half Rd.	5005582
131530K	131095	1710	30°	Full Rd.	5008438
131519K	131095	1710	30°	Half Rd.	5008439
132863K	131095	SPL170	26.5°	Half Rd.	5008444, 5005217
132931K	131095	SPL170	42°	Half Rd.	5008461

### Output Yoke and Slinger Assembly - 41 Inv Spline

Driveshaft Part Number	Pinion Nut	Series	Joint Angle	Type	Production Reference Numbers
131449K *	128049	1710	38°	Full Rd.	6-4-10301
131450K *	128049	1710	39°	Full Rd.	6-4-10301-1
131451K *	128049	SPL170	45°	Half Rd.	170-4-1901-1

### Rear Pinion Yoke and Slinger Assembly - 49 Inv Spline

Driveshaft Part Number	Pinion Nut	Series	Joint Angle	Type	Production Reference Numbers
131442K *	131095	1710	30°	Full Rd.	6-4-10291
131439K	131095	1710	45°	Full Rd.	6-4-10311
131437K *	131095	1710	30°	Half Rd.	6-4-10291-1
131438K *	131095	1710	45°	Half Rd.	6-4-10311-1
131441K	131095	1760	30°	Full Rd.	6-3-4-1861
131440K	131095	1760	30°	Half Rd.	6-3-4-1861-1
131444K	131095	1810	30°	Full Rd.	6-5-4-5091
131443K	131095	1810	30°	Half Rd.	6-5-4-5091-1
131436K	131095	Comp Flg	---	Comp Flg	6-1-6281
131433K *	131095	SPL170	25°	Half Rd.	170-4-1891-1
131434K *	131095	SPL170	45°	Half Rd.	170-4-1911-1
131435K	131095	SPL250	25°	Half Rd.	250-4-1021-1

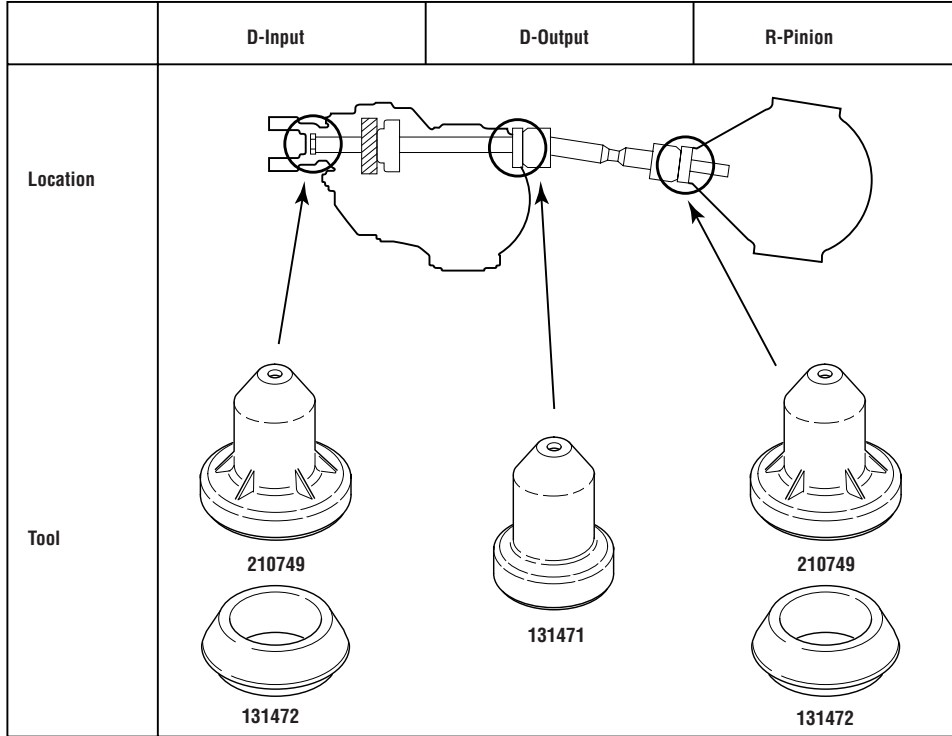
\* Most popular - Spicer recommends keeping these in stock

## Service Kits

### Pinion Seal Driver Kit

Part Number 513349

Kit includes: 131471, 131472, 210749



## Service Kits - Quick Reference List - Models made ON or AFTER June 10, 2013

(Listed by "Part Description" alpha order)

Note\* - Parts & Kits Identified with a \* asterick are used to service both "BEFORE & AFTER" design models.

Dana P/N	Description	*Note	Model Information
512892	Air Lockout Repair Kit	x	All D170, 190 Models
512893	Air Lockout Repair Kit - Complete w/ Fork	x	Only D170 Models
504061	Axle Housing Cover & Brg Pts Kit	x	All D190 Models (has cover 134324 inside)
514322	Axle Housing Cover Kit	x	All S190 Models (has cover 302704 inside)
504025	Axle Housing Cover Kit	x	All S590 Models (has cover 302622 inside)
512896	Axle Hsg Hardware Kit - Forward Axle (carrier to hsg)	x	All D170, 190 Models
512897	Axle Hsg Hardware Kit - Rear Axle (carrier to hsg)	x	All R170/R190, S170, S190
513351	Axle Hsg Fastener Kit - (for D-Hsg bolt on covers)	x	All D190, S190, D/R590, S590 Models
504126	Bearing Kit - D170S, S170E		All Ratios
504127	Bearing Kit - D170D		All Ratios
504128	Bearing Kit - D190S, D190D, D590, D590D, S590, S590D, S190E, S190DE		All Ratios
504129	Bearing Kit - R170S, S170S		Ratios 2.69-3.91
504130	Bearing Kit - R170S, S170S		Ratios 4.10-7.17
504131	Bearing Kit - R170D, S170D		Ratios 2.69-3.91
504132	Bearing Kit - R170D, S170D		Ratios 4.10-7.17
504131	Bearing Kit - R190S, R190D, S190S, S190D		Ratios 2.53-4.78
504133	Bearing Kit - R190S, R190D, S190S, S190D		Ratios 5.25-7.83
132480	Carrier Sub-Assy		R170, S170
132481	Carrier Sub-Assy		R170D, S170D Diff Lock Design
132482	Carrier Sub-Assy		R190, R190D, S190, S190D Diff Lock Design
132483	Carrier Sub-Assy		D170, S170E
132484	Carrier Sub-Assy		D170D Diff Lock Design
132485	Carrier Sub-Assy		All D190, 590 and S190E, S190DE
132486	Carrier Sub-Assy		S170R Retarder Ready
132487	Carrier Sub-Assy		S190R Retarder Ready
504097	Diff Lock Conversion Parts Kit		All Diff Lock Models
504095	Diff Lock Shift Fork & Pin Kit (fork# 140008)		All Diff Lock Models
512895	Diff Lock Shift Parts Repair Kit	x	All Diff Lock Models
140024	Diff Lock Sliding Clutch		All Diff Lock Models
131345	Helical Gear & Bushing Assy	x	All D170, 190 Models
131343	Helical Gear - Pinion	x	All D170, 190 Models
139965	IAD Assembly	x	All Models
504067	Input Cover & Adjuster Kit - D170	x	All D170 Models
504066	Input Cover & Adjuster Kit - D190	x	Only D190 Models

## Service Kits - Quick Reference List - Models made ON or AFTER June 10, 2013

Note\* - Parts & Kits Identified with a \* asterick are used to service both "BEFORE & AFTER" design models.

Dana P/N	Description	*Note	Model Information
513839	Input Shaft Kit - Non Pump Models	x	Only D170 Non-Pump Models
513840	Input Shaft Kit - Pump Models	x	All D170P and All D190 Models
131340	Input Shaft & Helical Gear	x	All S170E and S190E, S190DE High Entry Models
504065	Lube Pump & Output Side Gear Kit	x	All D170P and D190 Pump Models
513880	Manifold Parts Kit - Non Pump Models	x	Only D170 Non-Pump Models
513878	Manifold Parts Kit - Pump Models	x	All D170P and All D190 Pump Models
131882	No Spin Diff Assy 46 Inv	x	All Approved D/R170, D/R190 Models
504060	Output Shaft Brg Kit	x	All D170, 190 Models
512894	Output Shaft Kit (shaft# 131536)	x	All D170, 190 Models
131095K	Pinion Nut Kit	x	Only D-Input & Rear-Pinion Models
504041	Pinion Bearing Spacer Kit	x	All D170, D190 and D/R590
504042	Pinion Bearing Spacer Kit	x	All R170, R190, S170, S190
504069	Ring Gear Bolt Kit	x	All Models
131008K	Seal & Nut Kit	x	Only D-Input & Rear-Pinion Models (contains 134323 seal)
134323	Seal - Oil	x	Input Location
210737	Seal - Oil	x	Output Location
134323	Seal - Oil	x	R-Pinion
510870	Shift Fork & Spring Kit - IAD	x	All D170 Models
514142	Shift Fork & Spring Kit - IAD	x	All D190 Models
513349	Tool - Pinion Seal Driver Tool Kit	x	All Models
507162	U-Tube Breather Kit	x	All Models
504134	Wheel Diff Case Kit (139996/140004)		Refer to specific model and ratio in charts
504135	Wheel Diff Case Kit (139997/140003)		Refer to specific model and ratio in charts
504136	Wheel Diff Case Kit (139998/140002)		Refer to specific model and ratio in charts
504137	Wheel Diff Case Kit (139996/140003)		Refer to specific model and ratio in charts
504138	Wheel Diff Case Kit (139997/140002)		Refer to specific model and ratio in charts
504139	Wheel Diff Case Kit (139997/139999)		Refer to specific model and ratio in charts
504140	Wheel Diff Case Kit (139997/140000)		Refer to specific model and ratio in charts
504141	Wheel Diff Case Kit (139998/139999)		Refer to specific model and ratio in charts
504142	Wheel Diff Case Kit (139996/140001)		Refer to specific model and ratio in charts
504143	Wheel Diff Case Kit (139996/140000)		Refer to specific model and ratio in charts
504148	Wheel Diff Case Kit (139998/140025)		Refer to specific model and ratio in charts
504096	Wheel Diff Side Gear Kit w/ Washers - 46 Inv		All Models Built After June 10th, 2013
300GD101	Wheel Diff Side Gears 46 Inv	x	All Models
HS108-1	Wheel Diff Side Gear Thrust Washers		All Models Built After June 10th, 2013
300HS100-1	Wheel Diff Side Pinion Thrust Washers		All Models Built After June 10th, 2013





## **SPICER®**

*Drivetrain Products*

Axles

Driveshafts

Off-Highway Transmissions

## **LONG®**

*Thermal Products*

Transmission Oil Coolers

Engine Oil Coolers

## **VICTOR REINZ®**

*Sealing Products*

Gaskets and Seals

Cylinder-Head Cover Modules

Thermal-Acoustic Protective Shielding



Dana Aftermarket Group  
PO Box 321  
Toledo, Ohio 43697-0321

Warehouse Distributor: 1.800.621.8084  
OE Dealers: 1.877.777.5360

[www.spicerparts.com](http://www.spicerparts.com)

# **SPICER®**

